

F.A.I. RTE.	SECTION	COUNTY	TOTAL SHEETS	SHEET NO.
64	82-(7,8)I	ST. CLAIR	52	1
FED. ROAD DIST. NO.	ILLINOIS	CONTRACT NO. 76C14		

STATE OF ILLINOIS
DEPARTMENT OF TRANSPORTATION
DIVISION OF HIGHWAYS

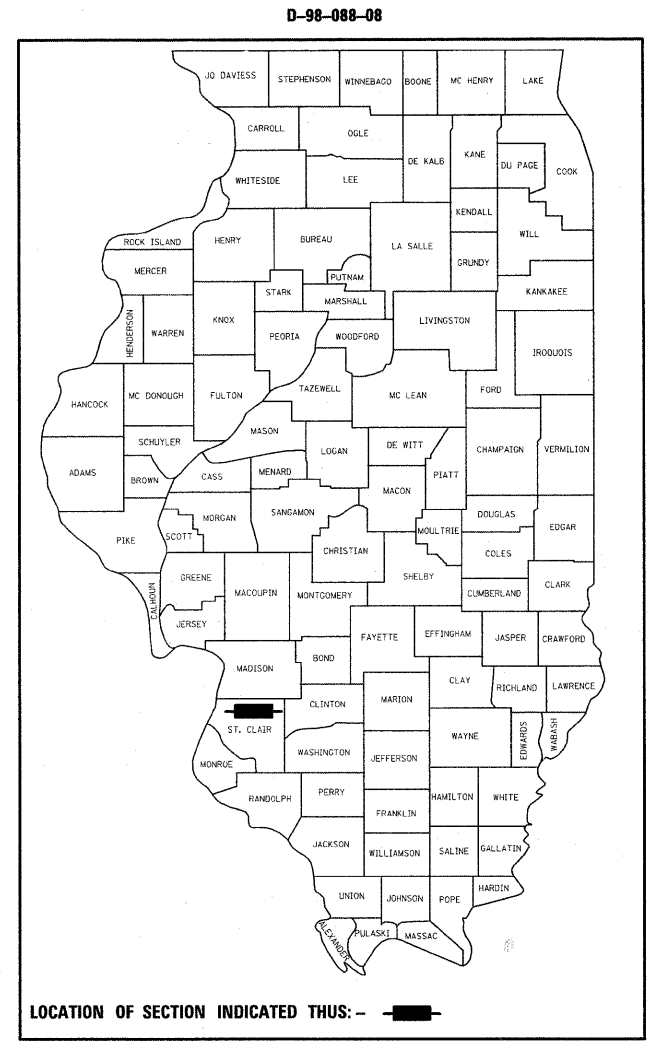
**PROPOSED
HIGHWAY PLANS**

FAI ROUTE 64 (I-64)
SECTION 82-(7,8)I
PROJECT: *HSIP-064-1(122)013*
ST. CLAIR COUNTY
C-98-083-08
HIGH TENSION MEDIAN CABLE BARRIER

FOR INDEX OF SHEETS, SEE SHEET NO. 2

HIGHWAY STANDARDS

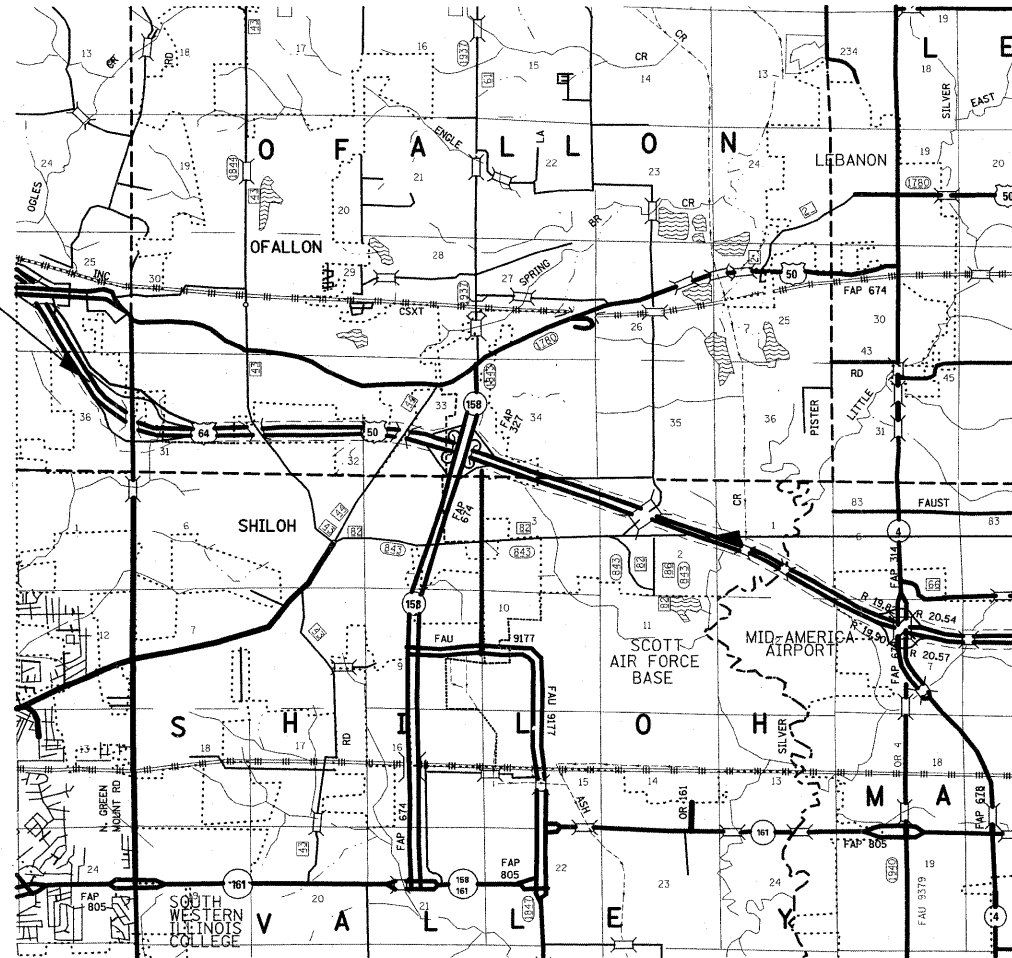
- 000001-05
- 280001-04
- 701101-02
- 701400-03
- 701401-05
- 701426-03
- 701901-01



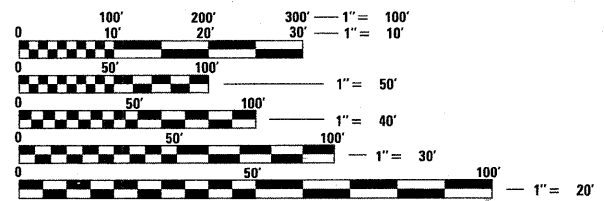
BEGIN PROJECT
STA. 743 + 70
LAT: 38.576077
LONG: -89.929102

STATION EQUATIONS:

STA. 759 + 62.08 BK = STA. 759 + 62.23 AH
STA. 816 + 85.58 BK = STA. 816 + 85.16 AH
STA. 859 + 63.70 BK = STA. 859 + 77.63 AH
STA. 913 + 26.32 BK = STA. 913 + 25.94 AH



END PROJECT
STA. 1031 + 00
LAT: 38.551655
LONG: -89.807122



FULL SIZE PLANS HAVE BEEN PREPARED USING STANDARD ENGINEERING SCALES. REDUCED SIZED PLANS WILL NOT CONFORM TO STANDARD SCALES. IN MAKING MEASUREMENTS ON REDUCED PLANS, THE ABOVE SCALES MAY BE USED.

J.U.L.I.E.
JOINT UTILITY LOCATION INFORMATION FOR EXCAVATION
1-800-892-0123
OR 811

PROJECT ENGINEER: PATTI LEBEAU 618/346-3179
PROJECT MANAGER: CHERYL KEPLAR 618/346-3186

CONTRACT NO. 76C14

GROSS LENGTH = 28730 FT = 5.44 MILES
NET LENGTH = 28716.72 FT = 5.44 MILES

STATE OF ILLINOIS
DEPARTMENT OF TRANSPORTATION
DIVISION OF HIGHWAYS

SUBMITTED *December 8 20 08*

Mary C. Jamie
DEPUTY DIRECTOR OF HIGHWAYS, REGION 5 ENGINEER

January 30 20 09
Charles J. Engersoll/RO
ENGINEER OF DESIGN AND ENVIRONMENT

January 30, 20 09
Christina M. Reed/RO
DIRECTOR OF HIGHWAYS, CHIEF ENGINEER

**PRINTED BY THE AUTHORITY
OF THE STATE OF ILLINOIS**

GENERAL NOTES

1. THE CONTRACTOR SHALL VERIFY ALL DIMENSIONS AND CONDITIONS IN THE FIELD PRIOR TO CONSTRUCTION AND ORDERING MATERIALS.
2. ILLINOIS STATE LAW REQUIRES A 48 HOUR NOTICE TO BE GIVEN TO UTILITIES BEFORE DIGGING. FIELD MARKING OF FACILITIES MAY BE OBTAINED BY CONTACTING J.U.L.I.E. OR FOR NON-MEMBERS, THE UTILITY COMPANIES DIRECTLY. AGENCIES KNOWN TO HAVE FACILITIES WITHIN THE PROJECT AREA ARE AS FOLLOWS:
 - AMEREN IP
 - AT&T ILLINOIS
 - CASEYVILLE TOWNSHIP ADVANCED WASTEWATER TREATMENT SYSTEM
 - CHARTER COMMUNICATIONS, INC.
 - MID AMERICA ST. LOUIS AIRPORT
 - VILLAGE OF NEW BADEN
 - CITY OF O'FALLON
 - OWEST COMMUNICATIONS
 - VILLAGE OF SHILOH
 - SLM WATER COMMISSION
 - VERIZON NORTH, INC.
3. ALL EXCAVATION ADJACENT TO THE EDGE OF SHOULDER SHALL BE PROTECTED WITH EXTENDED LEG BARRICADES AND STEADY BURN LIGHTS. THE COST SHALL BE INCLUDED IN THE TRAFFIC CONTROL PAY ITEMS.
4. WHEN NO WORK IS BEING PERFORMED, THE FLAGGERS WILL NOT BE REQUIRED. IF FLAGGERS ARE NOT PRESENT, THE FLAGGER SIGNS SHALL BE REMOVED OR COVERED.
5. FLAGMEN SHALL BE PRESENT DURING ALL CLOSURE HOURS, INCLUDING LUNCH HOUR, AND NO ADDITIONAL COMPENSATION WILL BE APPLIED.
6. STANDARD 701101 SHALL BE USED FOR SHOULDER CLOSING WITH A SHOULDER CLOSED SIGN.
7. ALL TRAFFIC CONTROL DEVICES SHALL BE SKID MOUNTED.
8. 'ROAD CONSTRUCTION AHEAD' SIGNS SHALL BE PLACED AT THE BEGINNING OF THE PROJECT AND ALL ENTRANCE RAMP; COST TO BE INCLUDED WITH THE TRAFFIC CONTROL PAY ITEMS. ALL CONSTRUCTION SIGNS SHALL BE FLUORESCENT ORANGE AND 48"X48".
9. TOPOGRAPHIC SURVEY WAS PERFORMED FOR THE MEDIAN AREA ONLY. ALL OTHER ITEMS SHOWN WERE CREATED FROM OLD PLANS.
10. BEGINNING AND ENDING STATIONS AS SHOWN IN THE PLANS FOR HTC AND MOW STRIP ARE APPROXIMATE. THE R.E. WILL DETERMINE THE EXACT LOCATIONS.
11. THE MINIMUM DEPTH OF THE LINE POST FOUNDATIONS SHALL BE 30".
12. THE FOLLOWING MIXTURE REQUIREMENTS APPLY TO THIS PROJECT.

MIXTURE USE	SHOULDERS	TOP LIFT SHLDRS
AC/PG	PG 58-22	PG 58-22
RAP % (MAX)	30%	30%
DESIGN AIR VOIDS	2.0% @ NDES=30	**2.0% @ NDES=30
MIX COMPOSITION (GRADATION MIXTURE)		
FRICTION AGG	BAM	BAM

- **TOP LIFT SHOULDERS - DESIGN THIS MIX AT 2.0% VOIDS AND ADD ASPHALT TO REDUCE VOIDS TO 1.5%.
13. THE LIMITS OF THE MOW STRIP SHALL BE THE SAME AS THE LIMITS OF THE HTC, INCLUDING TERMINAL SECTIONS, OR AS SHOWN ON THE PLANS.
 14. DELINEATOR REMOVAL WILL NOT BE PAID FOR SEPARATELY BUT WILL BE INCLUDED IN THE COST FOR HOT-MIX ASPHALT SHOULDER, 4". REMOVED DELINEATORS SHALL BECOME THE PROPERTY OF THE CONTRACTOR.
 15. IN ADDITION TO THE PORTABLE CHANGEABLE MESSAGE SIGNS INCLUDED IN THE TRAFFIC CONTROL STANDARDS, SIX ADDITIONAL PORTABLE CHANGEABLE MESSAGE SIGNS ARE INCLUDED AND SHALL BE PAID FOR PER CALENDAR MONTH AS CHANGEABLE MESSAGE SIGNS. THEIR EXACT LOCATIONS ARE TO BE DETERMINED BY THE ENGINEER IN CONJUNCTION WITH THE MESSAGE SIGN DETAIL. NO ADDITIONAL PAYMENT WILL BE ALLOWED FOR ANY RELOCATION OF THESE SIGNS. THESE MESSAGE BOARDS SHALL BE PLACED AT LEAST ONE WEEK PRIOR TO THE BEGINNING OF WORK.
 16. REFLECTORS FOR THE HTC SHALL BE PROVIDED AND INSTALLED PER MANUFACTURER'S SPECIFICATIONS FOR THE TYPE OF HTC BARRIER USED. COST SHALL BE INCLUDED IN HIGH TENSION CABLE MEDIAN BARRIER. MAXIMUM SPACING SHALL BE 50' OR AS DIRECTED BY THE ENGINEER.
 17. TERMINAL MARKERS-DIRECT APPLIED FOR THE TERMINAL END SECTIONS SHALL BE PROVIDED AND INSTALLED PER MANUFACTURER'S SPECIFICATIONS FOR THE TYPE OF TERMINAL USED.
 18. OPEN AUGER HOLES SHALL BE PROTECTED WITH BARRICADES WITH STEADY BURN LIGHTS AT 50' CENTERS AS DIRECTED BY THE ENGINEER. COST TO BE INCLUDED WITH TRAFFIC CONTROL PAY ITEMS.

19. HTC SYSTEM SHALL BE CHOSEN FROM THE DEPARTMENT'S APPROVED LIST. TO BE USED WHERE MEDIAN SLOPES ARE STEEPER THAN 1:8 AND AS STEEP AS 1:4.
20. POST SPACING SHALL BE REDUCED IN FRONT OF MEDIAN HAZARDS AND FOR A DISTANCE OF 100' BEFORE AND 100' AFTER THE MEDIAN HAZARD AS SHOWN IN THE PLANS. THE POST SPACING SHALL BE REDUCED IN ORDER THAT A DEFLECTION OF <= 7' IS PROVIDED ACCORDING TO MANUFACTURER'S RECOMMENDATIONS AND AS SUPPORTED BY NCHRP 350 TESTING. COST FOR PROVIDING REDUCED POST SPACING WILL NOT BE PAID FOR SEPARATELY, BUT WILL BE INCLUDED IN THE CONTRACT UNIT PRICE FOR HIGH TENSION CABLE MEDIAN BARRIER.
21. ALL WORK REQUIRED TO PLACE THE HOT MIX ASPHALT SHOULDER (MOW STRIP) INCLUDING, BUT NOT LIMITED TO SAW CUTTING AND THE REMOVAL OF EXISTING HOT MIX-ASPHALT SHOULDER, WILL NOT BE PAID FOR SEPARATELY, BUT SHALL BE INCLUDED IN THE COST FOR HOT-MIX ASPHALT SHOULDERS, 4".
22. POST SPACING SHALL BE SET PER LIMITATIONS AS SPECIFIED IN THE "APPROVED LIST OF HIGH TENSION CABLE MEDIAN BARRIER".
23. ALL AREAS DISTURBED FOR ANY REASON SHALL BE PERMANENTLY SEEDED AS DIRECTED BY THE ENGINEER. ALL AREAS DISTURBED BY THE CONTRACTOR OUTSIDE THE PROPOSED CONSTRUCTION LIMITS SHALL BE SEEDED AT THE CONTRACTOR'S EXPENSE.
24. ALL EXISTING AND PROPOSED RIGHT-OF-WAY LINES AND PROPERTY LINES SHOWN ON THE PLAN SHEETS ARE GRAPHICAL REPRESENTATIONS AND SHALL NOT BE USED AS A MEANS TO ESTABLISH OWNERSHIP. IN ALL MATTERS RELATING TO RIGHT-OF-WAY, THE PLAT OF HIGHWAYS SHALL BE THE CONTROLLING DOCUMENT.
25. THE RESIDENT ENGINEER SHALL VERIFY THE EXISTENCE OF HIGHWAY LIGHTING AND/OR ITS UTILITIES WITHIN THE PROJECT LIMITS. IF HIGHWAY LIGHTING AND/OR ITS EXISTS WITHIN THE PROJECT LIMITS, AND IF THESE ITEMS REQUIRE LOCATING, THE CONTRACTOR SHALL BE DIRECTED TO DO SO ACCORDING TO SECTION 803 OF THE STANDARD SPECIFICATIONS. IF LOCATING UNDERGROUND CABLE IS NOT INCLUDED AS PART OF THE PLANS, THIS WORK SHALL BE PAID FOR ACCORDING TO ARTICLE 109.04 OF THE STANDARD SPECIFICATIONS.

COMMITMENTS:

NONE

ADT

GREENMOUNT ROAD TO IL RTE 158

2007 ADT = 47,800 (ACTUAL)
 2009 ADT = 48,800 (ESTIMATED)
 2029 ADT = 59,500 (ESTIMATED)
 SU = 3.0%
 MU = 14.4%

IL RTE 158 TO IL RTE 4

2007 ADT = 34,900 (ACTUAL)
 2009 ADT = 35,600 (ESTIMATED)
 2029 ADT = 43,400 (ESTIMATED)
 SU = 3.6%
 MU = 19.5%

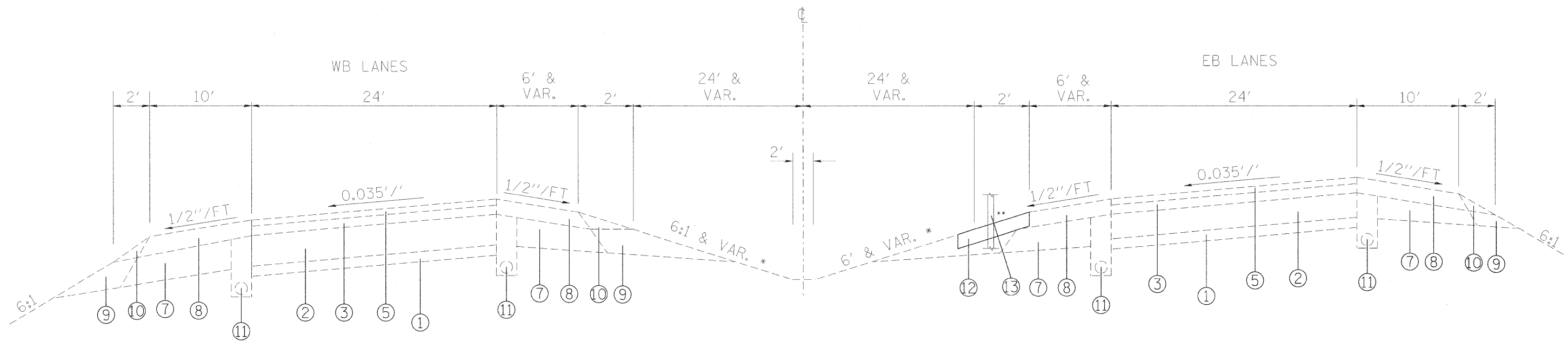
INDEX OF SHEETS

1	COVER SHEET
2	GENERAL NOTES, INDEX OF SHEETS, COMMITMENTS, STANDARDS AND ADT
3	SUMMARY OF QUANTITIES
4 - 6	TYPICAL SECTIONS
7 - 8	SCHEDULES
9 - 28	PLAN SHEETS
29	HTC DETAILS
30 - 32	STORM WATER PREVENTION POLLUTION PLAN
33 - 52	EROSION CONTROL PLAN SHEETS

FILE NAME =	USER NAME = conoverpj	DESIGNED -	REVISOR -	STATE OF ILLINOIS DEPARTMENT OF TRANSPORTATION	GENERAL NOTES, INDEX OF SHEETS, COMMITMENTS, ADT	F.A.I. RTE.	SECTION	COUNTY	TOTAL SHEETS	SHEET NO.	
et:\pw_work\PIWDOT\CONOVERPJ\dms63235\d	76c14-shit-plan.dgn	DRAWN -	REVISOR -			64	82-(7,8)I	ST. CLAIR	52	2	
	PLOT SCALE = 50.0000' / IN.	CHECKED -	REVISOR -			CONTRACT NO. 76C14					
	PLOT DATE = 11/26/2008	DATE -	REVISOR -			SCALE: _____	SHEET NO. 1 OF 1 SHEETS	STA. _____ TO STA. _____	FED. ROAD DIST. NO. - [ILLINOIS] FED. AID PROJECT		

SUMMARY OF QUANTITIES

SUMMARY OF QUANTITIES			URBAN TOTAL QUANTITIES	CONSTRUCTION TYPE CODE		SUMMARY OF QUANTITIES			TOTAL QUANTITIES	CONSTRUCTION TYPE CODE		
CODE NO	ITEM	UNIT		90% FED 10% STATE SFTY-4A	-----	-----	CODE NO	ITEM		UNIT	-----	-----
20200100	EARTH EXCAVATION	CU YD	2150	2150								
25000210	SEEDING, CLASS 2A	ACRE	5.25	5.25								
25000400	NITROGEN FERTILIZER NUTRIENT	POUND	472	472								
25000500	PHOSPHORUS FERTILIZER NUTRIENT	POUND	472	472								
25000600	POTASSIUM FERTILIZER NUTRIENT	POUND	472	472								
25100105	MULCH, METHOD 1	ACRE	5.25	5.25								
28000250	TEMPORARY EROSION CONTROL SEEDING	POUND	525	525								
28000500	INLET AND PIPE PROTECTION	EACH	28	28								
28000700	MULCH, METHOD 1	ACRE	5.25	5.25								
48203013	HOT-MIX ASPHALT SHOULDERS, 4"	SQ YD	19349	19349								
67000400	ENGINEER'S FIELD OFFICE, TYPE A	CAL MO	3	3								
67100100	MOBILIZATION	L SUM	1	1								
70100800	TRAFFIC CONTROL AND PROTECTION, STANDARD 701401	L SUM	1	1								
70103815	TRAFFIC CONTROL SURVEILLANCE	CAL DA	5	5								
70106800	CHANGEABLE MESSAGE SIGN	CAL MO	12	12								
80300100	LOCATING UNDERGROUND CABLE	FOOT	100	100								
X0325589	HIGH TENSION CABLE MEDIAN BARRIER	FOOT	27923	27923								
X0325590	HIGH TENSION CABLE MEDIAN BARRIER TERMINAL	EACH	12	12								

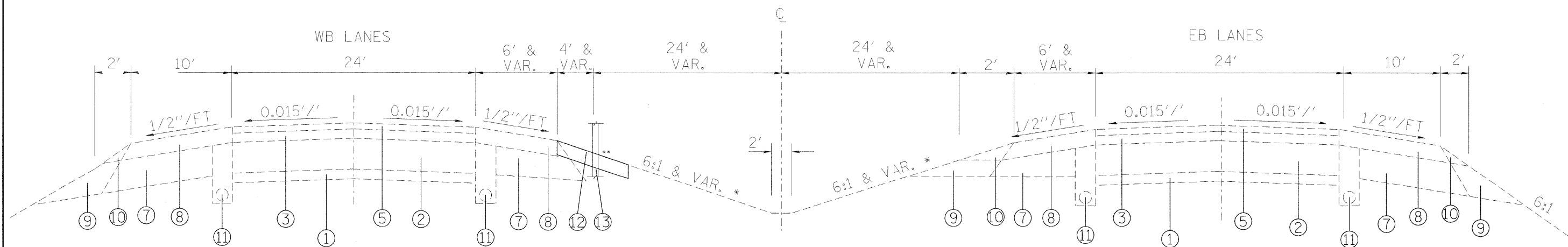
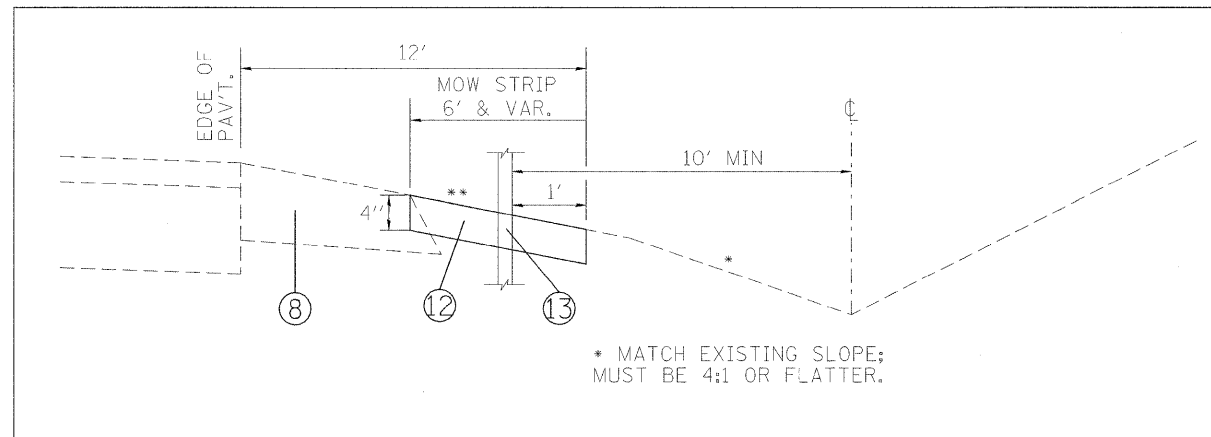


STA. 743+70 - STA. 782+93.80

* MEDIAN SLOPES VARY 6:1 AND FLATTER

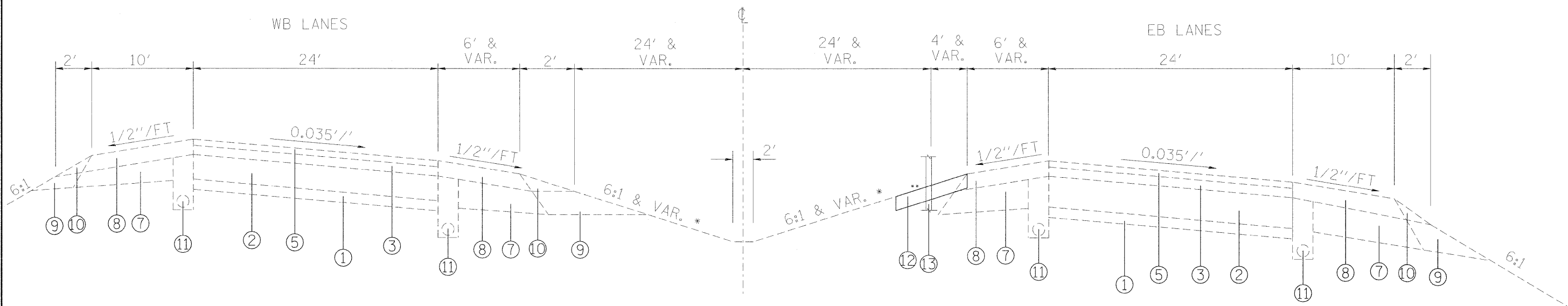
** LOCATION OF HTC AND MOW STRIP VARIES BETWEEN EB AND WB LANES. SEE PLAN SHEETS FOR LOCATIONS.

- ① EXIST. STABILIZED SUB-BASE 4"
- ② EXIST. CRPCC PAVEMENT 8"
- ③ EXIST. HMA BINDER COURSE 2-1/4"
- ④ EXIST. HMA OVERLAY 1-3/4" TO 3-1/2"
- ⑤ EXIST. HMA SURFACE COURSE, SMA, 1-1/2"
- ⑥ EXIST. HMA SURFACE COURSE, SMA, 2"
- ⑦ EXIST. STABILIZED SHOULDERS 8"
- ⑧ EXIST. HMA SHOULDER
- ⑨ EXIST. AGGREGATE SHOULDER
- ⑩ EXIST. AGGREGATE SHOULDER WEDGE, TYPE B
- ⑪ EXIST. PIPE UNDERDRAIN 4"
- ⑫ PROPOSED HOT-MIX ASPHALT SHOULDER, 4" (MOW STRIP)
- ⑬ PROPOSED HIGH TENSION MEDIAN CABLE BARRIER



STA. 782+93.80 - STA. 859+77.63
 STA. 903+38.51 - STA. 948+05

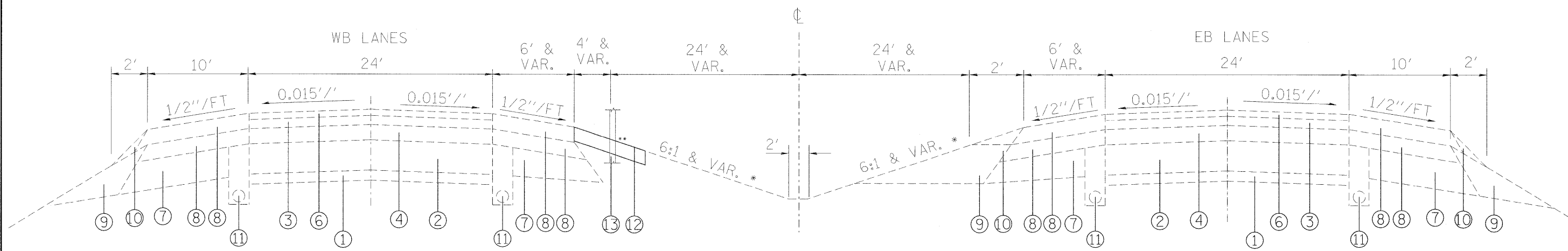
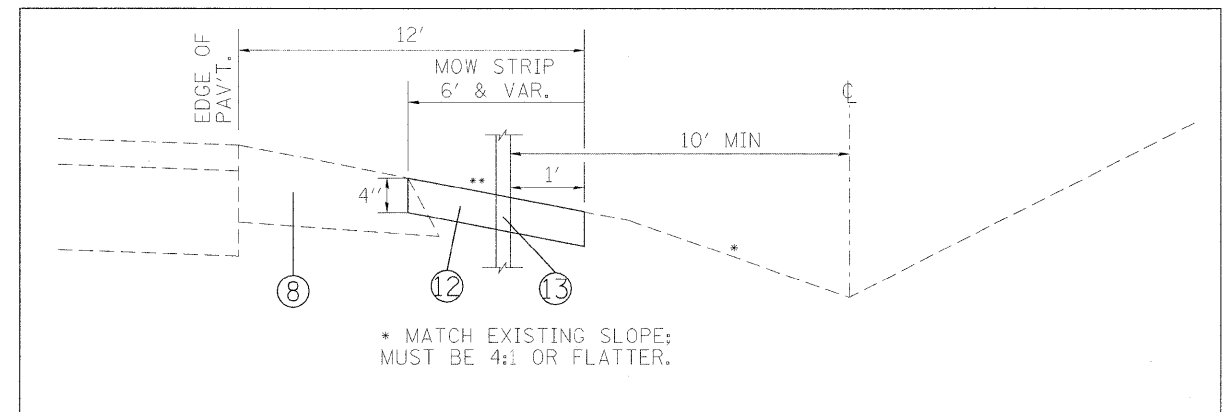
FILE NAME =	USER NAME = conoverpj	DESIGNED -	REVISED -	STATE OF ILLINOIS DEPARTMENT OF TRANSPORTATION	TYPICAL SECTIONS			F.A.I. RTE.	SECTION	COUNTY	TOTAL SHEETS	SHEET NO.
est\pw_work\PWIDOT\CONOVERPJ\dms63235\d	76c14-sh1-plan.dgn	DRAWN -	REVISED -		SCALE: _____	SHEET NO. 1 OF 3 SHEETS	STA. _____ TO STA. _____	64	82-17,81	ST. CLAIR	52	4
PLOT SCALE = 50.0000' / IN.		CHECKED -	REVISED -					CONTRACT NO. 76C14				
PLOT DATE = 12/2/2008		DATE -	REVISED -					FED. ROAD DIST. NO. ILLINOIS FED. AID PROJECT				



STA. 859+77.63 - STA. 903+38.51

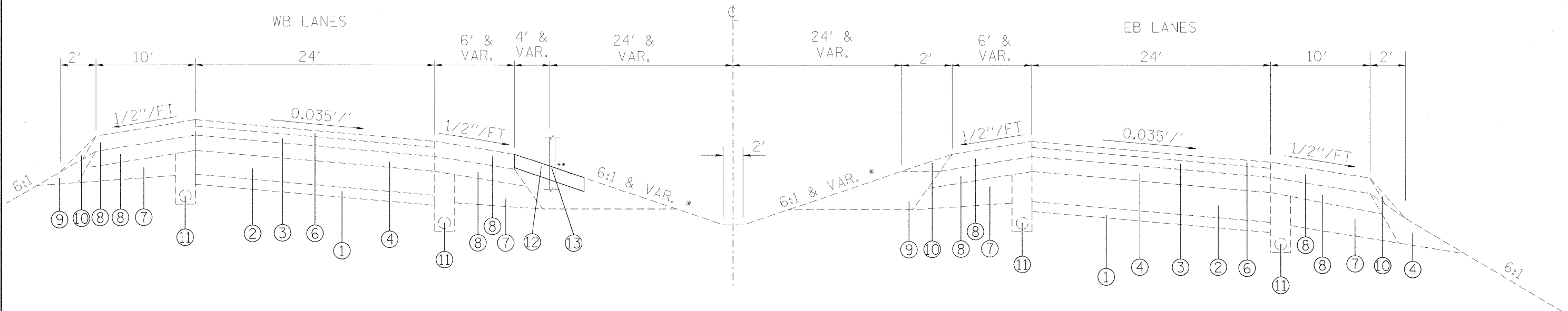
* MEDIAN SLOPES VARY 6:1 AND FLATTER
 ** LOCATION OF HTC AND MOW STRIP VARIES BETWEEN EB AND WB LANES. SEE PLAN SHEETS FOR LOCATIONS.

- ① EXIST. STABILIZED SUB-BASE 4"
- ② EXIST. CRPCC PAVEMENT 8"
- ③ EXIST. HMA BINDER COURSE 2-1/4"
- ④ EXIST. HMA OVERLAY 1-3/4" TO 3-1/2"
- ⑤ EXIST. HMA SURFACE COURSE, SMA, 1-1/2"
- ⑥ EXIST. HMA SURFACE COURSE, SMA, 2"
- ⑦ EXIST. STABILIZED SHOULDERS 8"
- ⑧ EXIST. HMA SHOULDER
- ⑨ EXIST. AGGREGATE SHOULDER
- ⑩ EXIST. AGGREGATE SHOULDER WEDGE, TYPE B
- ⑪ EXIST. PIPE UNDERDRAIN 4"
- ⑫ PROPOSED HOT-MIX ASPHALT SHOULDER, 4" (MOW STRIP)
- ⑬ PROPOSED HIGH TENSION MEDIAN CABLE BARRIER



STA. 948+05 - STA. 1026+85.91

FILE NAME =	USER NAME = conoverpj	DESIGNED -	REVISED -	STATE OF ILLINOIS DEPARTMENT OF TRANSPORTATION	TYPICAL SECTIONS			F.A.I. RTE.	SECTION	COUNTY	TOTAL SHEETS	SHEET NO.
ct:\pw\work\VPWIDOT\CONDVERPJ\dms63235\d	76c14-sht-plan.dgn	DRAWN -	REVISED -		64	82-(7,8)I	ST. CLAIR	52	5			
PLOT SCALE = 5/8"=1' IN.		CHECKED -	REVISED -		CONTRACT NO. 76C14			ILLINOIS FED. AID PROJECT				
PLOT DATE = 12/2/2008		DATE -	REVISED -		SCALE: _____	SHEET NO. 2 OF 3 SHEETS	STA. _____ TO STA. _____					

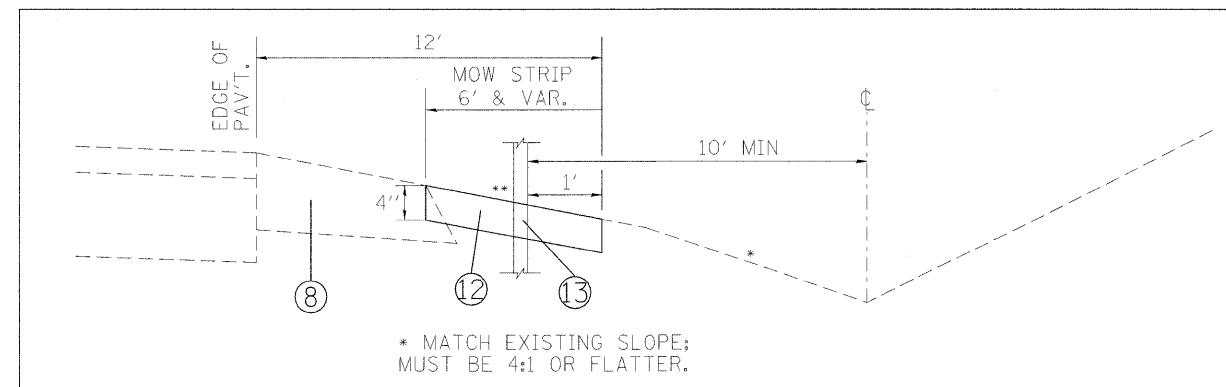


STA. 1026+85.91 - STA. 1031+00

* MEDIAN SLOPES VARY 6:1 AND FLATTER

** LOCATION OF HTC AND MOW STRIP VARIES BETWEEN EB AND WB LANES. SEE PLAN SHEETS FOR LOCATIONS.

- ① EXIST. STABILIZED SUB-BASE 4"
- ② EXIST. CRPCC PAVEMENT 8"
- ③ EXIST. HMA BINDER COURSE 2-1/4"
- ④ EXIST. HMA OVERLAY 1-3/4" TO 3-1/2"
- ⑤ EXIST. HMA SURFACE COURSE, SMA, 1-1/2"
- ⑥ EXIST. HMA SURFACE COURSE, SMA, 2"
- ⑦ EXIST. STABILIZED SHOULDERS 8"
- ⑧ EXIST. HMA SHOULDER
- ⑨ EXIST. AGGREGATE SHOULDER
- ⑩ EXIST. AGGREGATE SHOULDER WEDGE, TYPE B
- ⑪ EXIST. PIPE UNDERDRAIN 4"
- ⑫ PROPOSED HOT-MIX ASPHALT SHOULDER, 4" (MOW STRIP)
- ⑬ PROPOSED HIGH TENSION MEDIAN CABLE BARRIER



FILE NAME =	USER NAME = conoverpj	DESIGNED -	REVISED -
et:\pw_work\NPWIDOT\CONOVERPJ\dms63235\d	76c14-shr-plan.dgn	DRAWN -	REVISED -
	PLOT SCALE = 5/8"=1'-0" / IN.	CHECKED -	REVISED -
	PLOT DATE = 12/2/2008	DATE -	REVISED -

STATE OF ILLINOIS
DEPARTMENT OF TRANSPORTATION

TYPICAL SECTIONS

SCALE: _____ SHEET NO. 3 OF 3 SHEETS STA. _____ TO STA. _____

F.A.I. RTE.	SECTION	COUNTY	TOTAL SHEETS	SHEET NO.
64	82-(7,8)1	ST. CLAIR	52	6
CONTRACT NO. 76C14				
FED. ROAD DIST. NO. ILLINOIS FED. AID PROJECT				

EARTH EXCAVATION		
STATION TO STATION	EARTH EXCAVATION	EARTH EXCAVATION ADJ. FOR SHRINKAGE (25%)
	CU YD	CU YD
RT. 743+70 - 805+13	473.9	355.4
LT. 806+19 - 841+18.58	272.8	204.6
RT. 839+26 - 874+43.93	243.3	182.5
LT. 875+57 - 912+94	286.0	214.5
RT. 913+59 - 960+64	351.4	263.6
LT. 961+66 - 1031+00	522.1	391.6
TOTALS	2149.5	1612.2

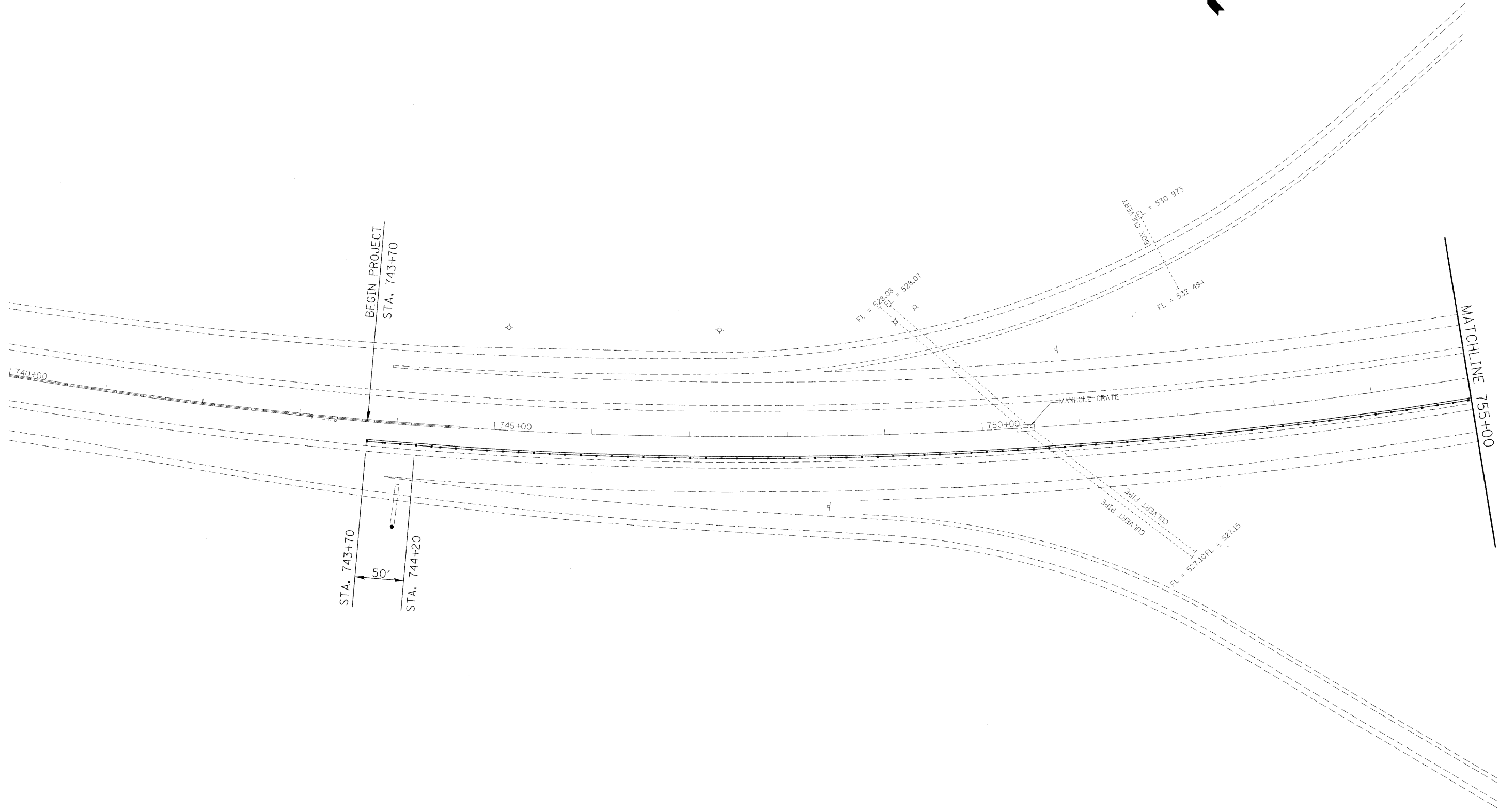
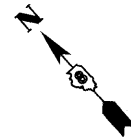
THE EARTH EXCAVATION GENERATED BY THE PLACEMENT OF THE HMA SHOULDER (APPROXIMATELY 2149.5 CU YD) MAY BE USED AS FURNISHED EXCAVATION REQUIRED TO MEET THE 6:1 OR FLATTER SLOPE REQUIREMENT AS SHOWN IN THE PLANS. ADDITIONAL FURNISHED EXCAVATION REQUIRED BEYOND WHAT IS PROVIDED AS SHOWN ABOVE SHALL BE PAID FOR PER ARTICLE 109.04 OF THE STANDARD SPECIFICATIONS. ANY EXCESS EARTH EXCAVATION SHALL BE DISPOSED OF BY THE CONTRACTOR PER SECTION 202 OF THE STANDARD SPECIFICATIONS.

INLET AND PIPE PROTECTION			
CENTERLINE STATION	EACH	CENTERLINE STATION	EACH
750+45	1	911+35	1
770+90	1	922+00	1
784+00	1	932+25	1
796+70	1	947+00	1
806+00	1	960+95	1
820+00	1	969+50	1
832+60	1	980+50	1
841+35	1	986+50	1
856+90	1	987+00	1
865+50	1	993+00	1
875+20	1	999+30	1
882+10	1	1005+00	1
895+00	1	1016+30	1
906+00	1	1028+00	1
SUB-TOTAL	14	SUB-TOTAL	14
TOTAL			28

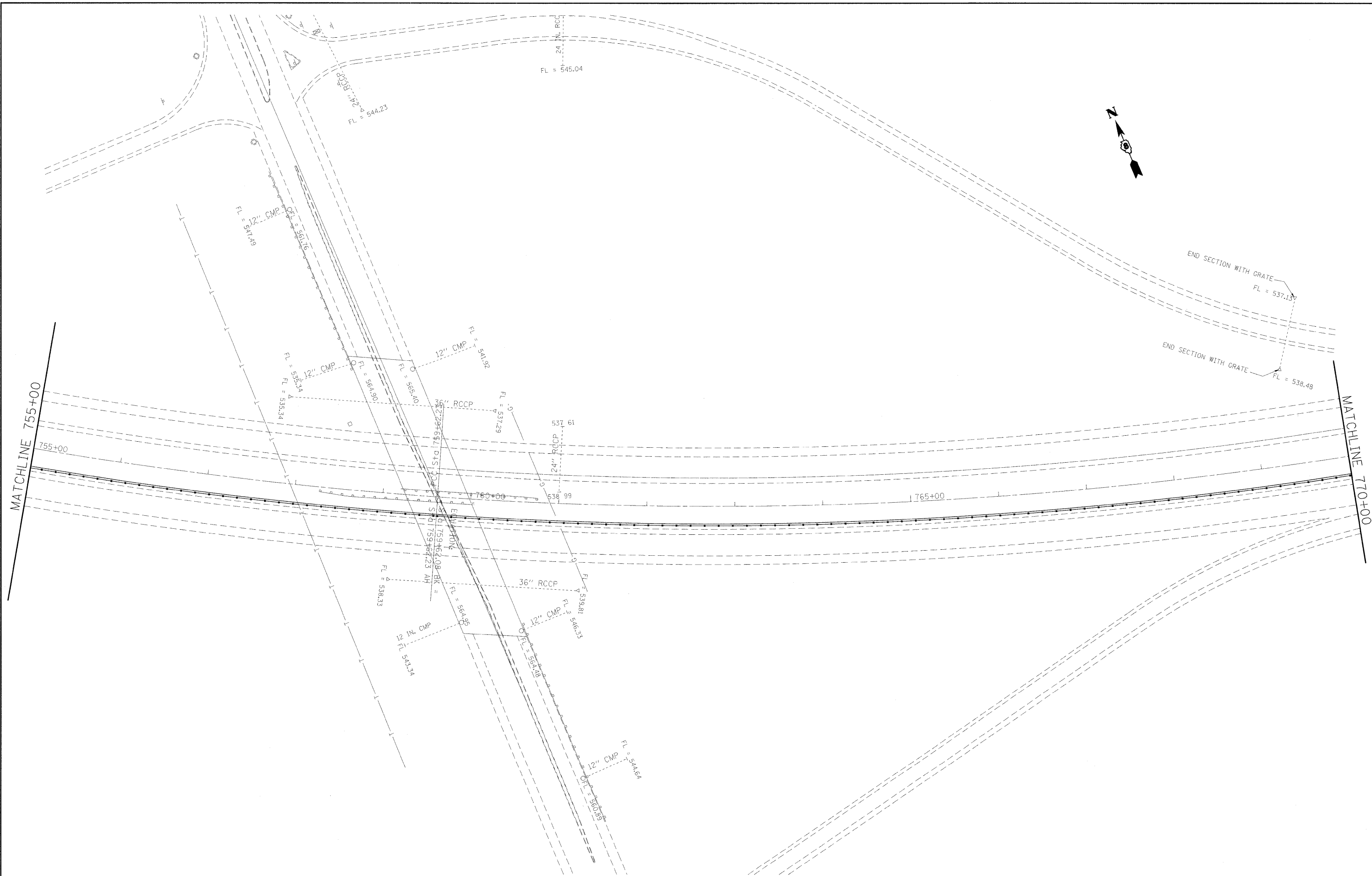
STATION TO STATION	SEEDING, CLASS 2A	NITROGEN FERTILIZER NUTRIENT	PHOSPHORUS FERTILIZER NUTRIENT	POTASSIUM FERTILIZER NUTRIENT	MULCH, METHOD 1	TEMPORARY EROSION CONTROL SEEDING	MULCH, METHOD 1 (FOR TEMP. SEEDING)
	ACRE	POUND	POUND	POUND	ACRE	POUND	ACRE
RT. 743+70 - 805+13	1.13	101.7	101.7	101.7	1.13	113	1.13
LT. 806+19 - 841+18.58	0.65	58.5	58.5	58.5	0.65	65	0.65
RT. 839+26 - 874+43.93	0.64	57.6	57.6	57.6	0.64	64	0.64
LT. 875+57 - 912+94	0.69	62.1	62.1	62.1	0.69	69	0.69
RT. 913+59 - 960+64	0.87	77.4	77.4	77.4	0.87	87	0.87
LT. 961+66 - 1031+00	1.27	114.3	114.3	114.3	1.27	127	1.27
TOTALS	5.25	471.6	471.6	471.6	5.25	525	5.25

HOT-MIX ASPHALT SHOULDERS, 4"	
LOCATION	SQ YD
RT. STA. 743+70 - 805+13	4266.0
LT. STA. 806+19 - 841+18.58	2455.9
RT. STA. 839+26 - 874+43.93	2190.2
LT. STA. 875+57 - 912+94	2574.4
RT. STA. 913+59 - 960+64	3162.8
LT. STA. 961+66 - 1031+00	4699.7
TOTAL	19349.0

LOCATION	HTC MEDIAN BARRIER	HTC MEDIAN BARRIER TERMINAL
	FOOT	EACH
RT. STA. 743+70 - 805+13	6043	2
LT. STA. 806+19 - 841+18.58	3400	2
RT. STA. 839+26 - 874+43.93	3404	2
LT. STA. 875+57 - 912+94	3637	2
RT. STA. 913+59 - 960+64	4605	2
LT. STA. 961+66 - 1031+00	6834	2
TOTALS	27923	12



FILE NAME =	USER NAME = conoverpj	DESIGNED -	REVISD -	STATE OF ILLINOIS DEPARTMENT OF TRANSPORTATION	PLAN SHEET			F.A.I. RTE.	SECTION	COUNTY	TOTAL SHEETS	SHEET NO.
ci\pw_work\PWIDOT\CONOVERPJ\dms63235\d	76c14-shr-plan.dgn	DRAWN -	REVISD -		SCALE: 1" = 50'	SHEET NO. 1 OF 20 SHEETS	STA. 740+00 TO STA. 755+00	64	82-(7,8)I	ST. CLAIR	52	9
	PLOT SCALE = 50.0000' / IN.	CHECKED -	REVISD -					CONTRACT NO. 76C14				
	PLOT DATE = 11/26/2008	DATE -	REVISD -					FED. ROAD DIST. NO. - ILLINOIS FED. AID PROJECT				



FILE NAME =
 c:\pw_work\pwidot\CONOVERP\dms63235\0876c14-sh1-plan.dgn

USER NAME = conoverpj
 PLOT SCALE = 50.0000' / IN.
 PLOT DATE = 11/25/2008

DESIGNED -
 DRAWN -
 CHECKED -
 DATE -

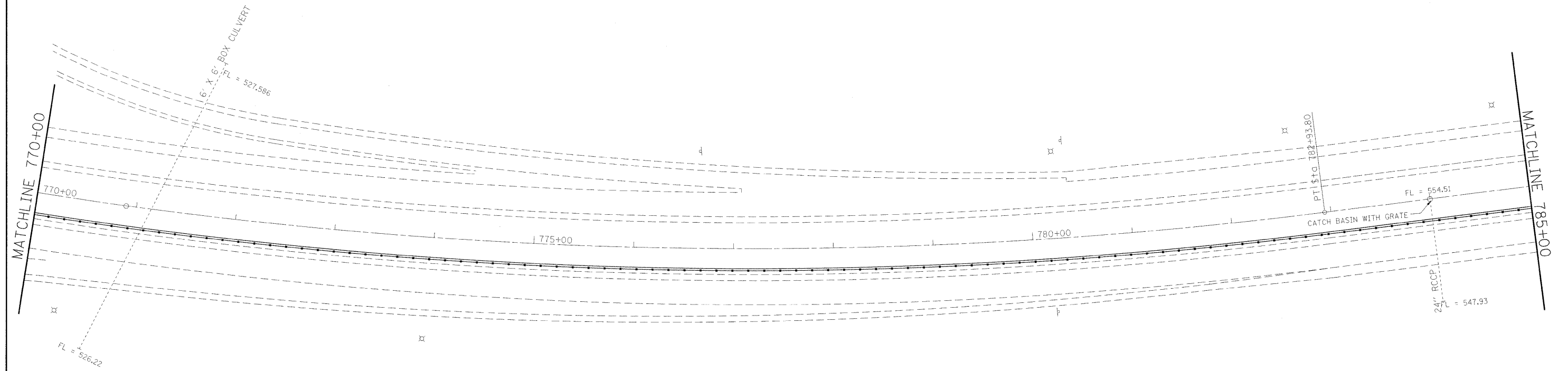
REVISED -
 REVISED -
 REVISED -
 REVISED -

**STATE OF ILLINOIS
 DEPARTMENT OF TRANSPORTATION**

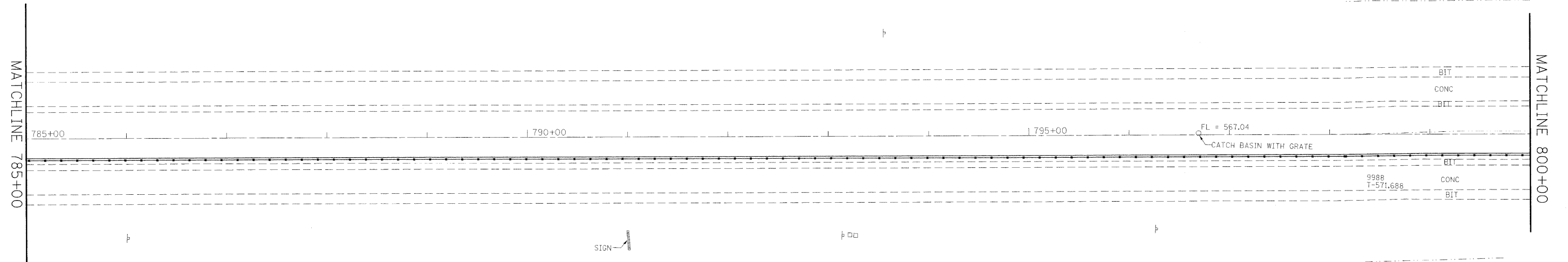
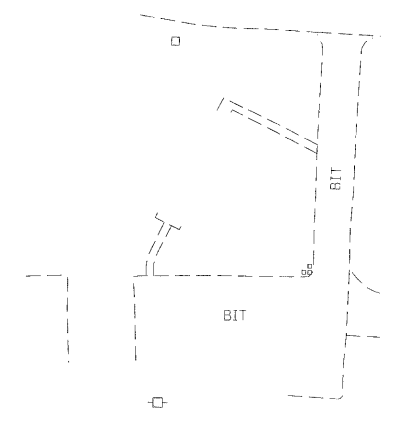
PLAN SHEET

SCALE: 1" = 50' SHEET NO. 2 OF 20 SHEETS STA. 755+00 TO STA. 770+00

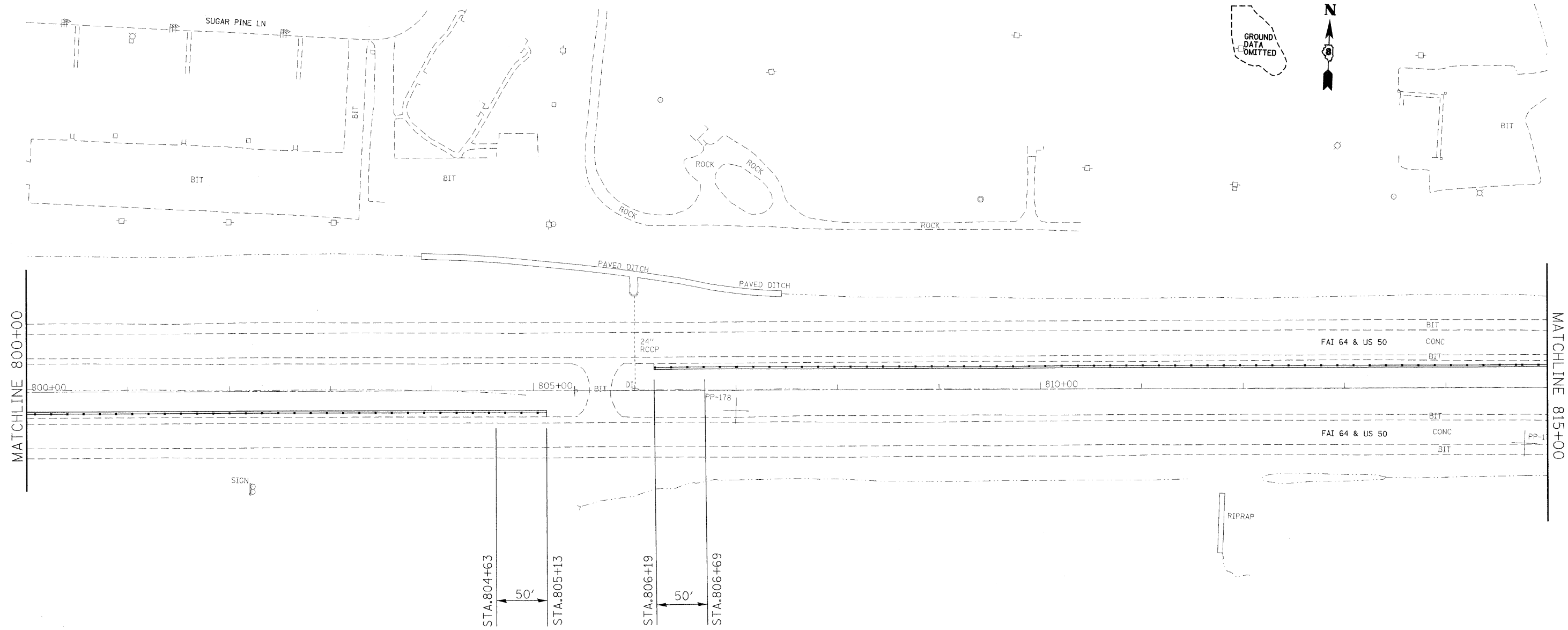
F.A.I. RTE.	SECTION	COUNTY	TOTAL SHEETS	SHEET NO.
64	82-(7,8)I	ST. CLAIR	52	10
CONTRACT NO. 76C14				
FED. ROAD DIST. NO. ILLINOIS FED. AID PROJECT				



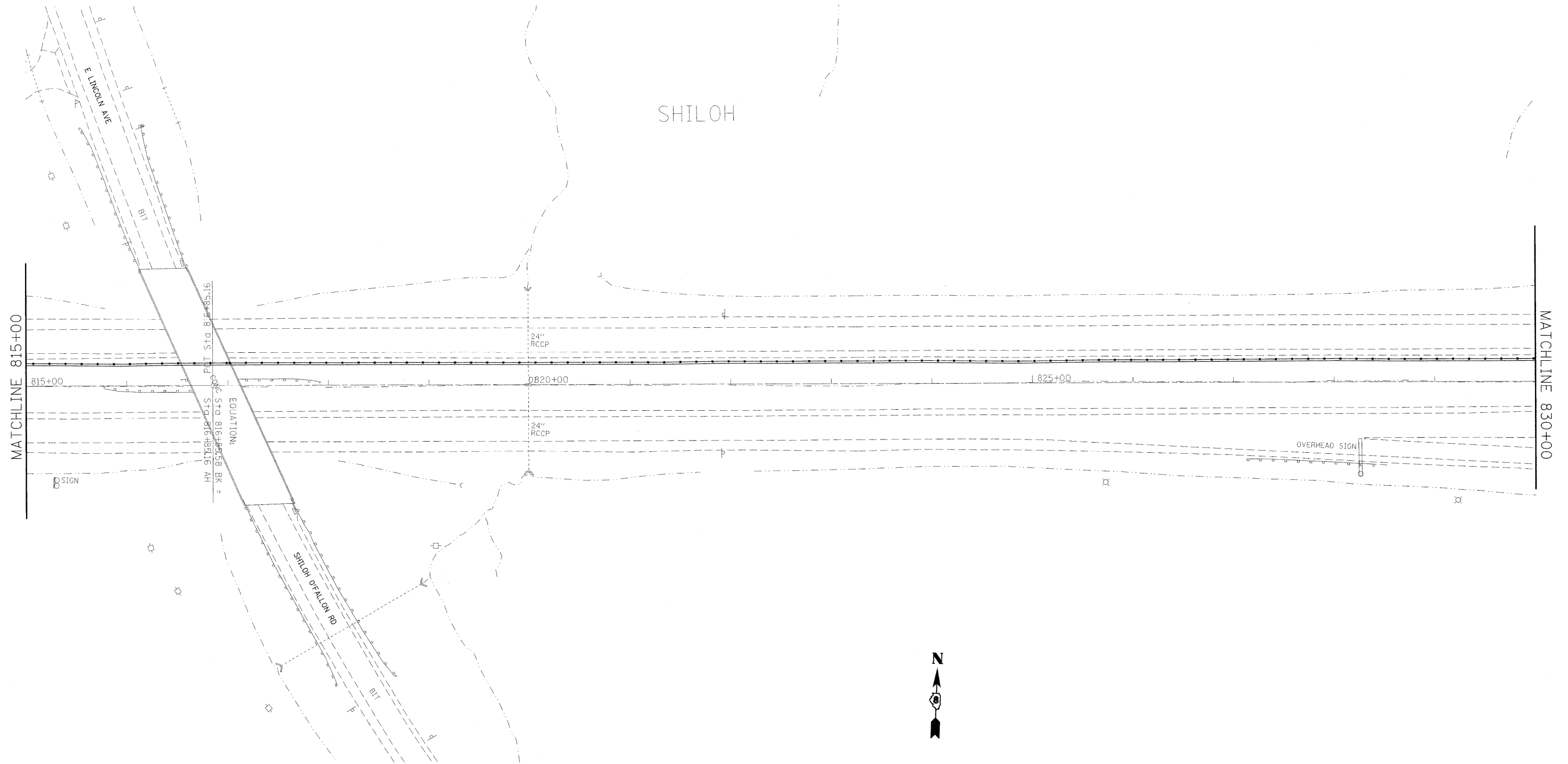
FILE NAME =	USER NAME = conoverpj	DESIGNED -	REVISED -	STATE OF ILLINOIS DEPARTMENT OF TRANSPORTATION	PLAN SHEET			F.A.I. RTE.	SECTION	COUNTY	TOTAL SHEETS	SHEET NO.
ci:\pw_work\PIWIDOT\CONOVERPJ\dms63235\076c14-shit-plan.dgn		DRAWN -	REVISED -		SCALE: 1" = 50'	SHEET NO. 3 OF 20 SHEETS	STA. 770+00 TO STA. 785+00	64	82-(7,8)1	ST. CLAIR	52	11
PLOT SCALE = 50.0000' / IN.		CHECKED -	REVISED -		CONTRACT NO. 76C14							
PLOT DATE = 11/25/2008		DATE -	REVISED -		FED. ROAD DIST. NO. _ ILLINOIS FED. AID PROJECT							



FILE NAME = c:\pw_work\pwidot\CONOVERPJ\dms63235\d	USER NAME = conoverpj	DESIGNED - ---	REVISED - ---	STATE OF ILLINOIS DEPARTMENT OF TRANSPORTATION	PLAN SHEET			F.A.I RTE.	SECTION	COUNTY	TOTAL SHEETS	SHEET NO.
	76c14-sh1-plan.dgn	DRAWN - ---	REVISED - ---					64	82-(7,8)I	ST. CLAIR	52	12
PLOT SCALE = 50.0000' / IN.	CHECKED - ---	REVISED - ---	SCALE: 1" = 50' SHEET NO. 4 OF 20 SHEETS STA. 785+00 TO STA. 800+00			CONTRACT NO. 76C14						
PLOT DATE = 11/26/2008	DATE - ---	REVISED - ---	FED. ROAD DIST. NO. - ILLINOIS FED. AID PROJECT									



FILE NAME =	USER NAME = conoverpj	DESIGNED -	REVISED -	STATE OF ILLINOIS DEPARTMENT OF TRANSPORTATION	PLAN SHEET			F.A.I. RTE. 64	SECTION 82-(7,8)I	COUNTY ST. CLAIR	TOTAL SHEETS 52	SHEET NO. 13
et:\pw\work\PIWIDOT\CONOVERPJ\dms63235\d876c14-sht-plan.dgn		DRAWN -	REVISED -		SCALE: 1" = 50'	SHEET NO. 5 OF 20 SHEETS	STA. 800+00 TO STA. 815+00	FED. ROAD DIST. NO. - ILLINOIS FED. AID PROJECT				
		CHECKED -	REVISED -		CONTRACT NO. 76C14							
		DATE -	REVISED -									



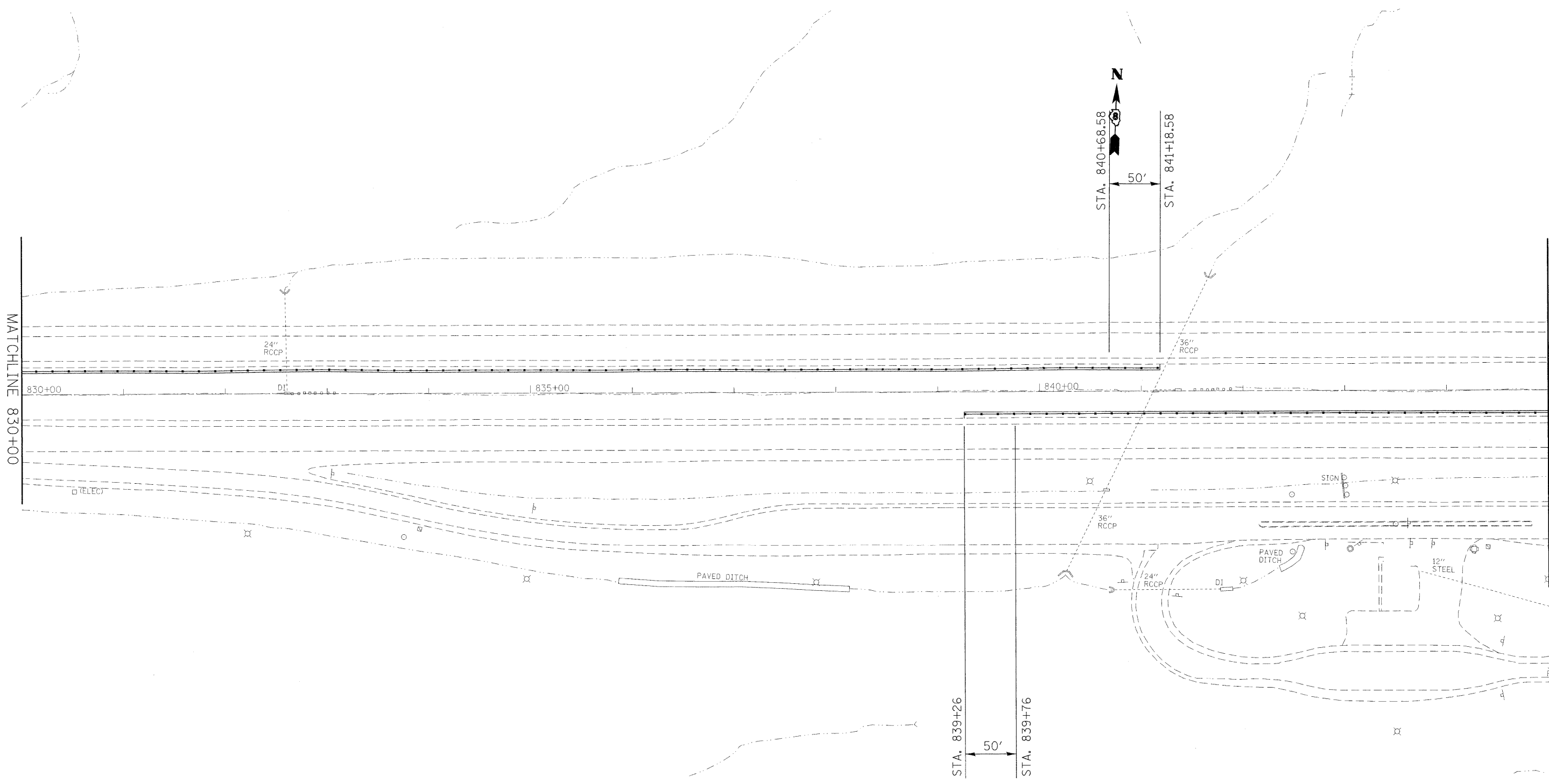
FILE NAME =	USER NAME = conoverpj	DESIGNED -	REVISED -
ct:\pw\work\PIWIDOT\CONOVERPJ\dms63235\076c14-sh1-plan.dgn	76c14-sh1-plan.dgn	DRAWN -	REVISED -
	PLOT SCALE = 50.0000' / IN.	CHECKED -	REVISED -
	PLOT DATE = 11/26/2008	DATE -	REVISED -

**STATE OF ILLINOIS
DEPARTMENT OF TRANSPORTATION**

PLAN SHEET		
SCALE: 1" = 50'	SHEET NO. 6 OF 20 SHEETS	STA. 815+00 TO STA. 830+00

F.A.I. RTE. 64	SECTION 82-(7,8)I	COUNTY ST. CLAIR	TOTAL SHEETS 52	SHEET NO. 14
FED. ROAD DIST. NO. ILLINOIS FED. AID PROJECT				

CONTRACT NO. 76C14



FILE NAME =
 et\ow\work\PWIDOT\CONOVERPJ\dms63235\ds

USER NAME = conoverpj
 76014-shit-plan.dgn
 PLOT SCALE = 50.0000' / IN.
 PLOT DATE = 11/26/2008

DESIGNED -
 DRAWN -
 CHECKED -
 DATE -

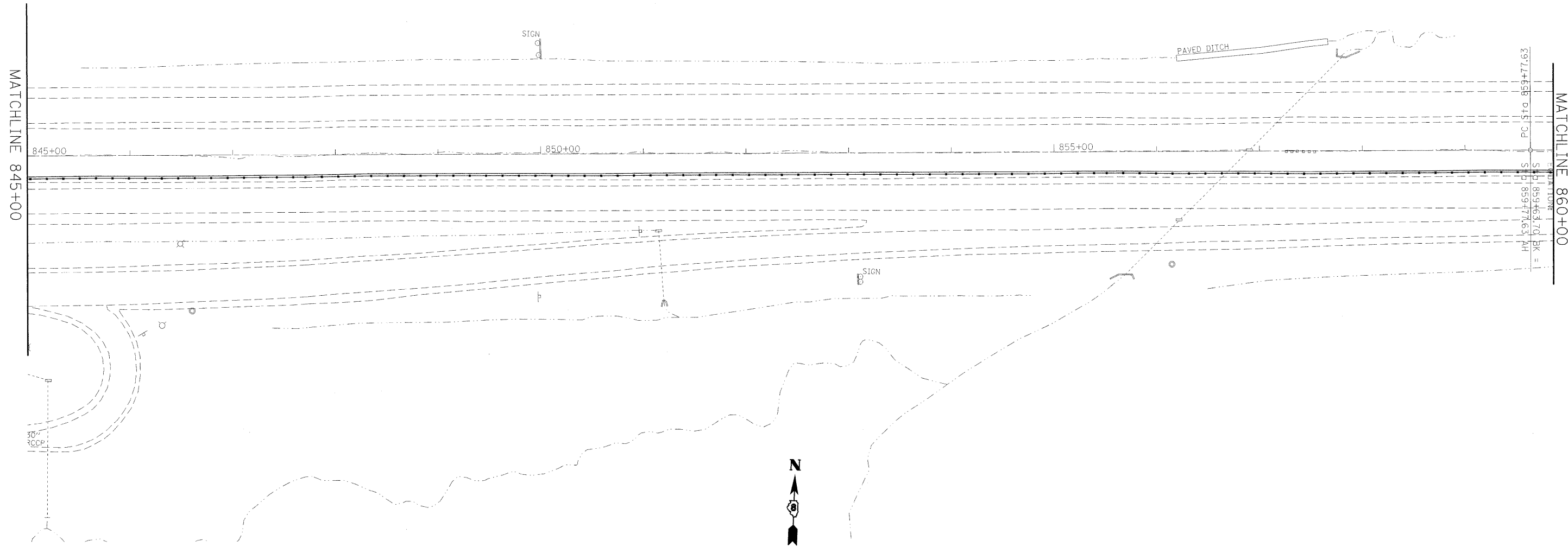
REVISED -
 REVISED -
 REVISED -
 REVISED -

**STATE OF ILLINOIS
 DEPARTMENT OF TRANSPORTATION**

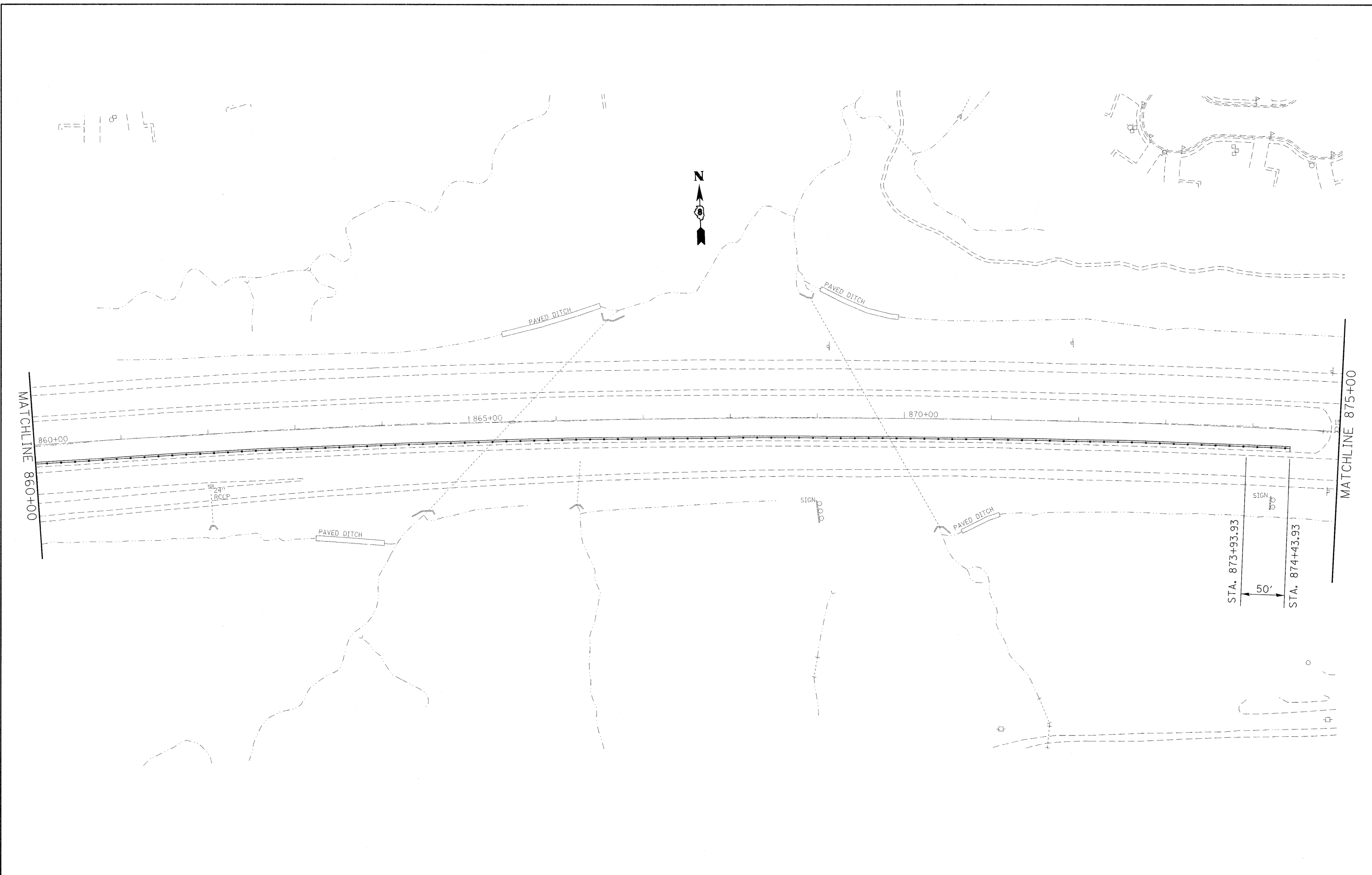
PLAN SHEET

SCALE: 1" = 50' SHEET NO. 7 OF 20 SHEETS STA. 830+00 TO STA. 845+00

F.A.I. RTE.	SECTION	COUNTY	TOTAL SHEETS	SHEET NO.
64	82-(7,B)I	ST. CLAIR	52	15
CONTRACT NO. 76C14				
FED. ROAD DIST. NO. - ILLINOIS FED. AID PROJECT				



FILE NAME = c:\pw_work\pwidot\CONOVERPJ\dms63235\d76c14-sht-pln.dgn	USER NAME = conoverpj	DESIGNED - ---	REVISED - ---	STATE OF ILLINOIS DEPARTMENT OF TRANSPORTATION	PLAN SHEET			F.A.I. RTE. 64	SECTION 82-(7,8)I	COUNTY ST. CLAIR	TOTAL SHEETS 52	SHEET NO. 16
	PLOT SCALE = 50,0000' / IN.	CHECKED - ---	REVISED - ---		SCALE: 1" = 50' SHEET NO. 8 OF 20 SHEETS STA. 845+00 TO STA. 860+00			CONTRACT NO. 76C14				
PLOT DATE = 11/26/2008	DATE - ---	REVISED - ---	REVISED - ---		FED. ROAD DIST. NO. _ ILLINOIS FED. AID PROJECT							



FILE NAME =
 c:\pwwork\pwidot\CONOVERPJ\dms63235\876c14-sh1-plan.dgn

USER NAME = conoverpj
 PLOT SCALE = 50.0000' / IN.
 PLOT DATE = 11/26/2008

DESIGNED -
 DRAWN -
 CHECKED -
 DATE -

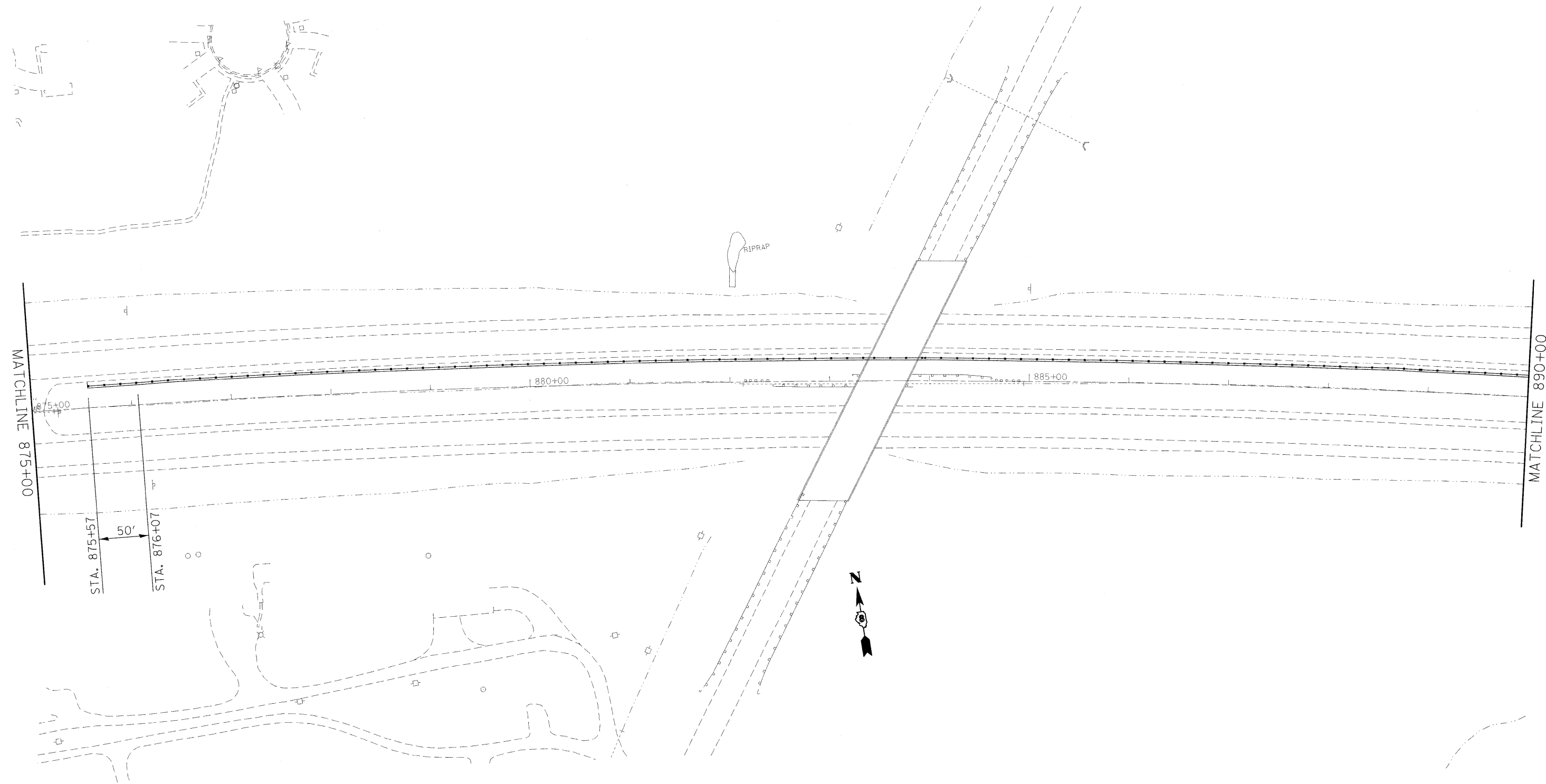
REVISED -
 REVISED -
 REVISED -
 REVISED -

**STATE OF ILLINOIS
 DEPARTMENT OF TRANSPORTATION**

PLAN SHEET

SCALE: 1" = 50' SHEET NO. 9 OF 20 SHEETS STA. 860+00 TO STA. 875+00

F.A.I. RTE.	SECTION	COUNTY	TOTAL SHEETS	SHEET NO.
64	82-(7,8)I	ST. CLAIR	52	17
CONTRACT NO. 76C14				
FED. ROAD DIST. NO. - ILLINOIS FED. AID PROJECT				



FILE NAME =
 c:\pwwork\pwidot\condverpj\dms63235\076c14-sht-plan.dgn

USER NAME = conoverpj
 76c14-sht-plan.dgn
 PLOT SCALE = 50,0000 ' / IN.
 PLOT DATE = 11/26/2000

DESIGNED - ---
 DRAWN - ---
 CHECKED - ---
 DATE - -----

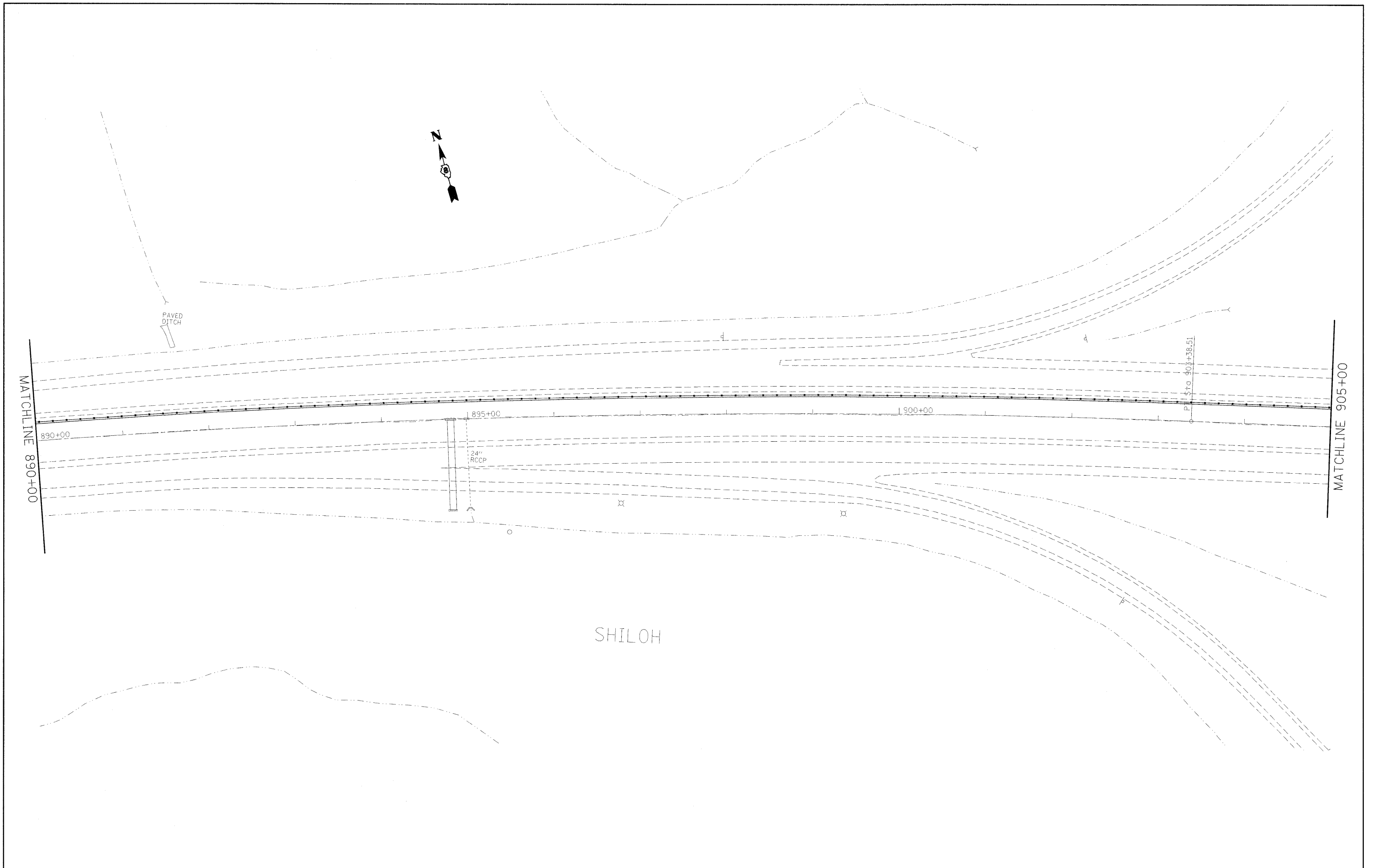
REVISED - ---
 REVISED - ---
 REVISED - ---
 REVISED - ---

**STATE OF ILLINOIS
 DEPARTMENT OF TRANSPORTATION**

PLAN SHEET

SCALE: 1" = 50' SHEET NO. 10 OF 20 SHEETS STA. 875+00 TO STA. 890+00

F.A.I. RTE.	SECTION	COUNTY	TOTAL SHEETS	SHEET NO.
64	82-(7,8)I	ST. CLAIR	52	18
CONTRACT NO. 76C14				
FED. ROAD DIST. NO. - ILLINOIS FED. AID PROJECT				



FILE NAME =
 c:\pw_work\pwidot\CONOVERPJ\dms63235\076c14-shiloh-plan.dgn

USER NAME = conoverpj
 PLOT SCALE = 50.0000' / IN.
 PLOT DATE = 11/25/2008

DESIGNED - ---
 DRAWN - ---
 CHECKED - ---
 DATE - ---

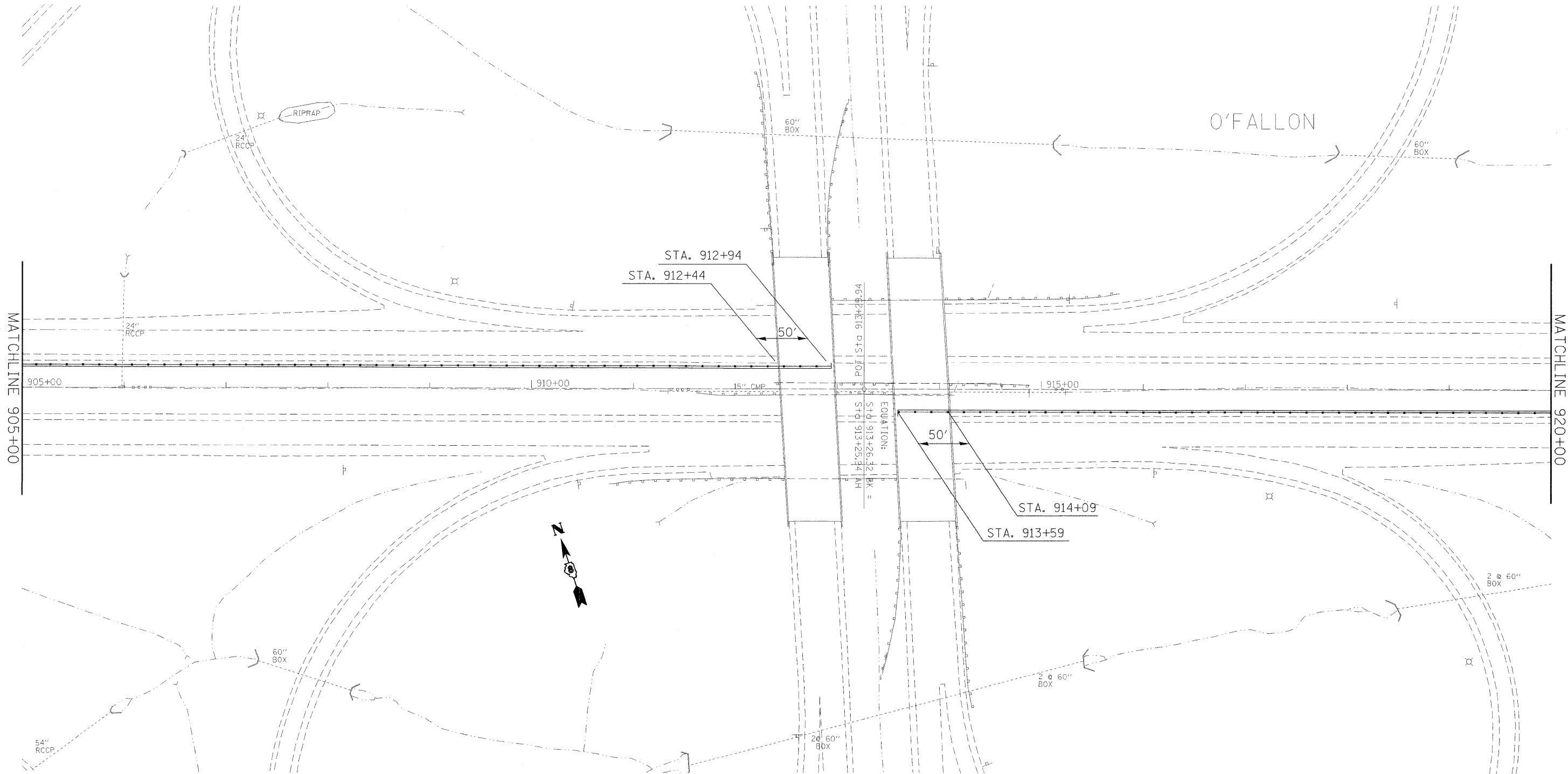
REVISED - ---
 REVISED - ---
 REVISED - ---
 REVISED - ---

**STATE OF ILLINOIS
 DEPARTMENT OF TRANSPORTATION**

PLAN SHEET

SCALE: 1" = 50' SHEET NO. 11 OF 20 SHEETS STA. 890+00 TO STA. 905+00

F.A.I. RTE.	SECTION	COUNTY	TOTAL SHEETS	SHEET NO.
64	82-(7,8)I	ST. CLAIR	52	19
CONTRACT NO. 76C14				
FED. ROAD DIST. NO. - ILLINOIS FED. AID PROJECT				



FILE NAME =
 est\pw\work\VP\WIDOT\CONDVERPJ\dms63235\d

USER NAME = conoverpj
 76c14-shit-plandgn
 PLOT SCALE = 50,0000 ' / IN.
 PLOT DATE = 11/26/2008

DESIGNED - ---
 DRAWN - ---
 CHECKED - ---
 DATE - -----

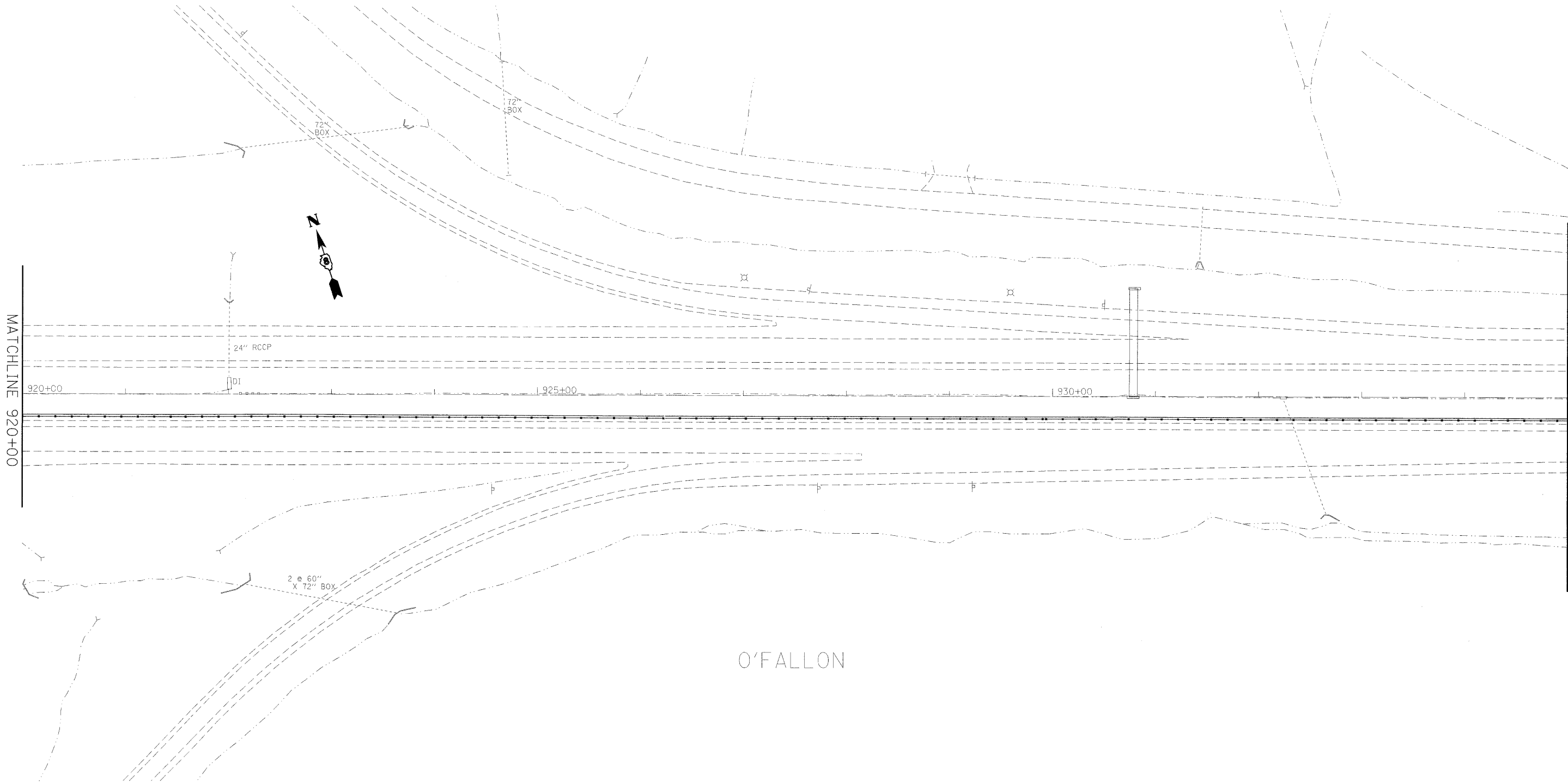
REVISED - ---
 REVISED - ---
 REVISED - ---
 REVISED - ---

**STATE OF ILLINOIS
 DEPARTMENT OF TRANSPORTATION**

PLAN SHEET

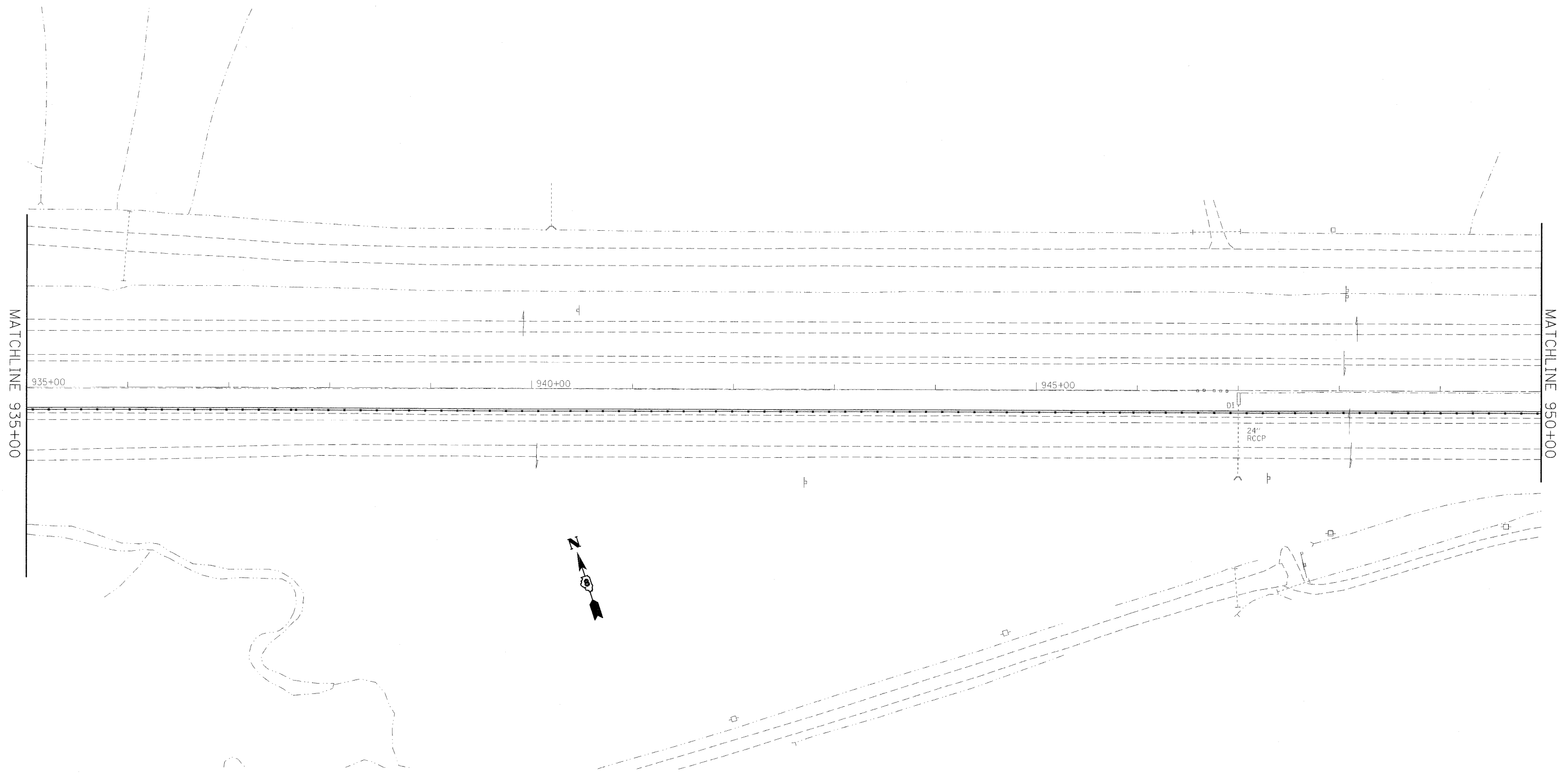
SCALE: 1" = 50' SHEET NO. 12 OF 20 SHEETS STA. 905+00 TO STA. 920+00

F.A.I. RTE.	SECTION	COUNTY	TOTAL SHEETS	SHEET NO.
64	82-(7,8)I	ST. CLAIR	52	20
CONTRACT NO. 76C14				
FED. ROAD DIST. NO. - ILLINOIS FED. AID PROJECT				

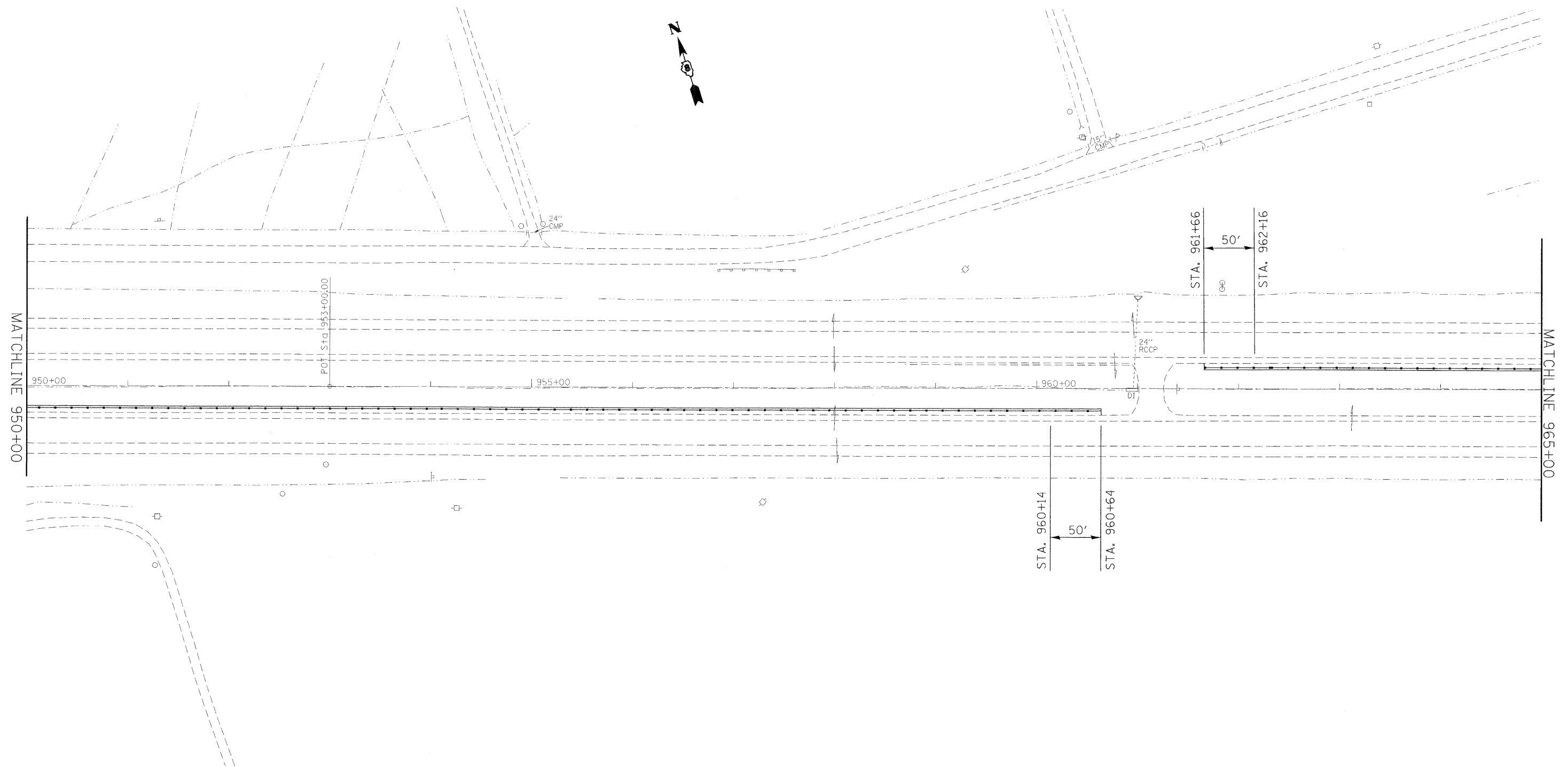


O'FALLON

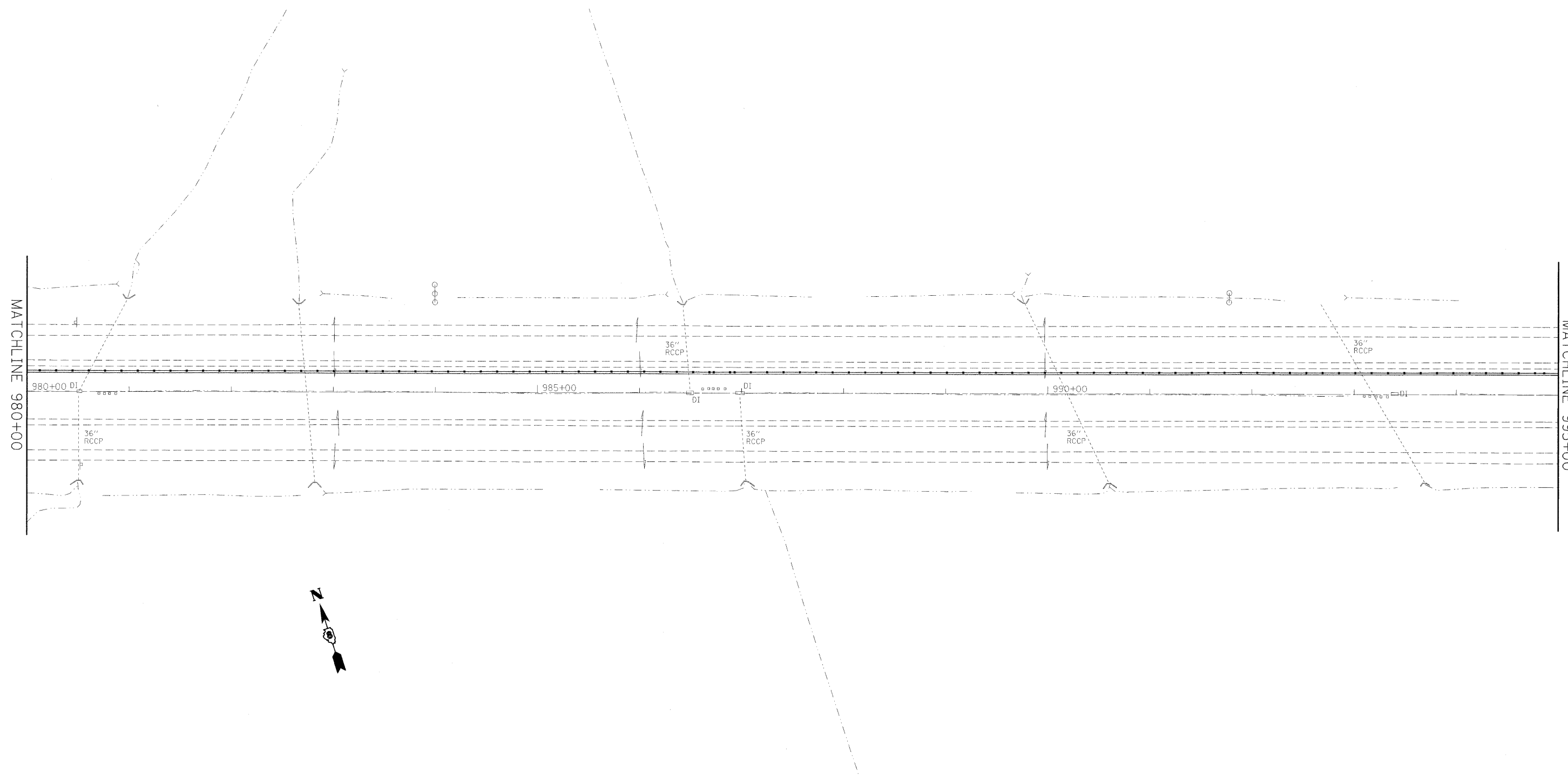
FILE NAME = c:\pw_work\p\WIDOT\CONDVERP\dm63235\d	USER NAME = conoverpj 76c14-sht-plan.dgn	DESIGNED - --- DRAWN - --- CHECKED - --- DATE - ---	REVISED - --- REVISED - --- REVISED - --- REVISED - ---	STATE OF ILLINOIS DEPARTMENT OF TRANSPORTATION	PLAN SHEET			F.A.I. RTE. 64	SECTION 82-(7,8)I	COUNTY ST. CLAIR	TOTAL SHEETS 52	SHEET NO. 21
	PLOT SCALE = 50.0000' / IN. PLOT DATE = 11/26/2008				SCALE: 1" = 50'	SHEET NO. 13 OF 20 SHEETS	STA. 920+00 TO STA. 935+00	FED. ROAD DIST. NO. - ILLINOIS FED. AID PROJECT				
								CONTRACT NO. 76C14				



FILE NAME = c:\pw_work\p\WIDOT\CONOVERPJ\dms63235\076c14-sh1-plan.dgn	USER NAME = conoverpj	DESIGNED - ---	REVISED - ---	STATE OF ILLINOIS DEPARTMENT OF TRANSPORTATION	PLAN SHEET			F.A.I. RTE. 64	SECTION 82-(7,8)I	COUNTY ST. CLAIR	TOTAL SHEETS 52	SHEET NO. 22	
	PLOT SCALE = 50,0000' / IN.	CHECKED - ---	REVISED - ---		SCALE: 1" = 50'	SHEET NO. 14 OF 20 SHEETS	STA. 935+00 TO STA. 950+00	FED. ROAD DIST. NO. - ILLINOIS FED. AID PROJECT					
	PLOT DATE = 11/26/2008	DATE - ---	REVISED - ---		CONTRACT NO. 76C14								



FILE NAME = c:\pwwork\VPWIDOT\CDNOVERPJ\dms63235\	USER NAME = conoverpj	DESIGNED - ---	REVISED - ---	STATE OF ILLINOIS DEPARTMENT OF TRANSPORTATION	PLAN SHEET			F.A.I. RTE.	SECTION	COUNTY	TOTAL SHEETS	SHEET NO.
	76c14-ent-plan.dgn	DRAWN - ---	REVISED - ---		64	82-(7,8)I	ST. CLAIR	52	23			
	PLOT SCALE = 50.0000' / IN.	CHECKED - ---	REVISED - ---		SCALE: 1" = 50' SHEET NO. 15 OF 20 SHEETS STA. 950+00 TO STA. 965+00			CONTRACT NO. 76C14				
	PLOT DATE = 11/26/2008	DATE - ---	REVISED - ---		FED. ROAD DIST. NO. - ILLINOIS FED. AID PROJECT							



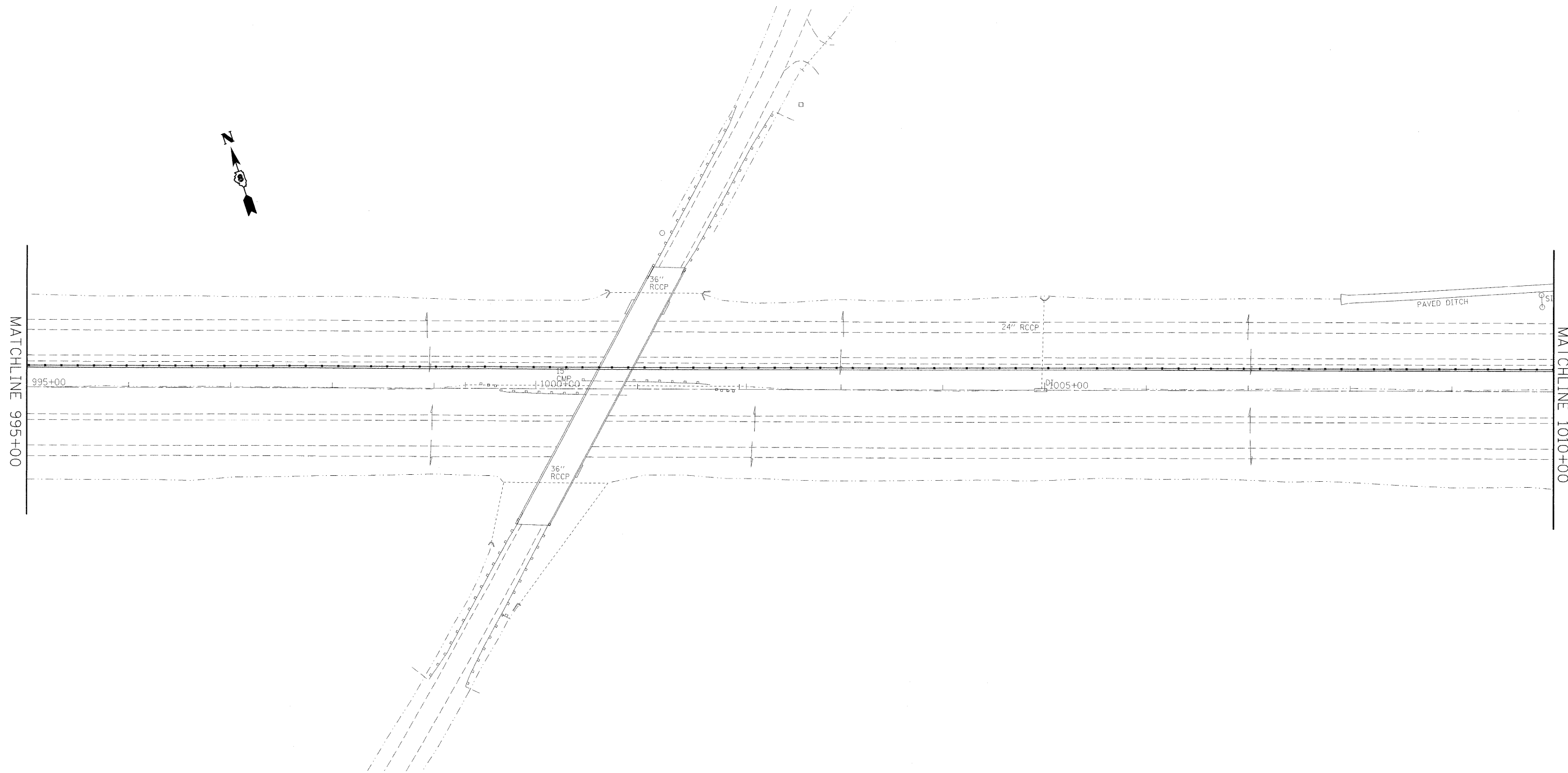
FILE NAME =	USER NAME = coneveerj	DESIGNED -	REVISD -
ci:\pw\work\NPWIDOT\CONOVERPJ\dms63235\j	76c14-sh1-plan.dgn	DRAWN -	REVISD -
	PLOT SCALE = 50.0000' / IN.	CHECKED -	REVISD -
	PLOT DATE = 11/26/2008	DATE -	REVISD -

**STATE OF ILLINOIS
DEPARTMENT OF TRANSPORTATION**

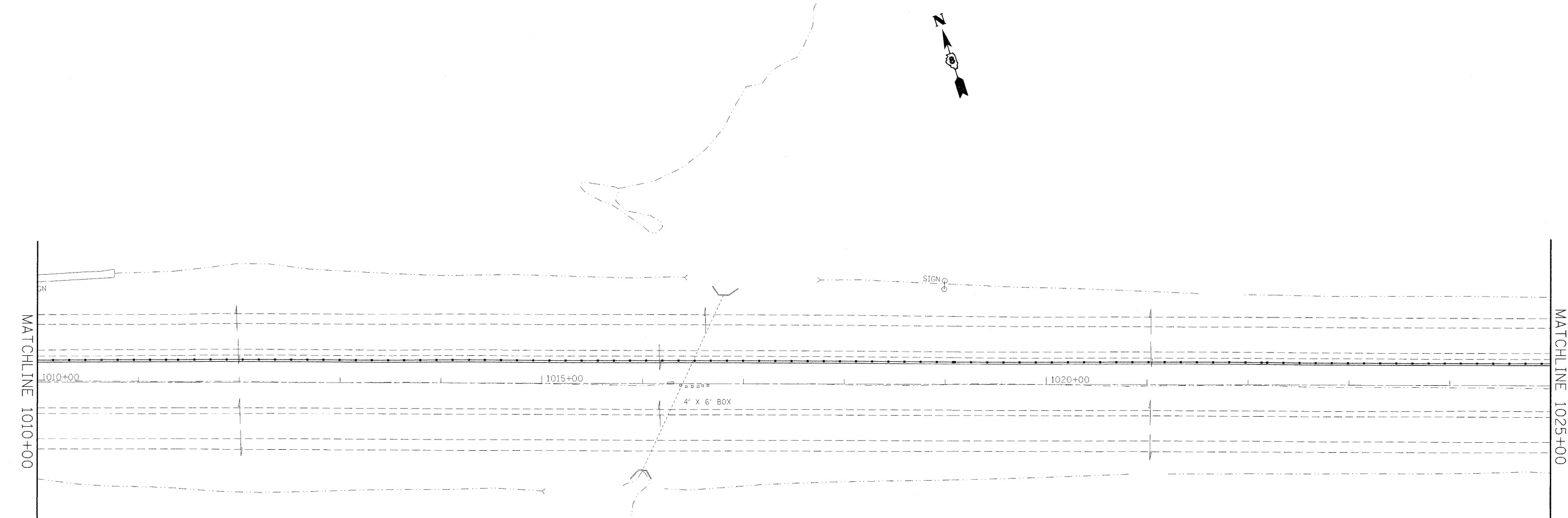
PLAN SHEET

SCALE: 1" = 50' SHEET NO. 17 OF 20 SHEETS STA. 980+00 TO STA. 995+00

F.A.I. RTE.	SECTION	COUNTY	TOTAL SHEETS	SHEET NO.
64	82-(7,8)I	ST. CLAIR	52	25
CONTRACT NO. 76C14				
FED. ROAD DIST. NO. - ILLINOIS FED. AID PROJECT				



FILE NAME = c:\pw\work\PIWIDOT\CONOVERPJ\dms63235\d76c14-sh1-plan.dgn	USER NAME = conoverpj	DESIGNED -	REVISED -	STATE OF ILLINOIS DEPARTMENT OF TRANSPORTATION	PLAN SHEET			F.A.I. RTE. 64	SECTION 82-(7,8)I	COUNTY ST. CLAIR	TOTAL SHEETS 52	SHEET NO. 26
	PLOT SCALE = 50.0000' / IN.	CHECKED -	REVISED -		SCALE: 1" = 50'	SHEET NO. 18 OF 20 SHEETS	STA. 995+00 TO STA. 1010+00	CONTRACT NO. 76C14				
PLOT DATE = 11/25/2008	DATE -	REVISED -	REVISED -		FED. ROAD DIST. NO. ILLINOIS FED. AID PROJECT							



FILE NAME =
 c:\pwwork\pwidot\CONOVERPJ\dms63235\d

USER NAME = conoverpj
 76c14-sh1-plan.dgn
 PLOT SCALE = 50.0000 ' / IN.
 PLOT DATE = 11/26/2008

DESIGNED - ---
 DRAWN - ---
 CHECKED - ---
 DATE - ---

REVISED - ---
 REVISED - ---
 REVISED - ---
 REVISED - ---

**STATE OF ILLINOIS
 DEPARTMENT OF TRANSPORTATION**

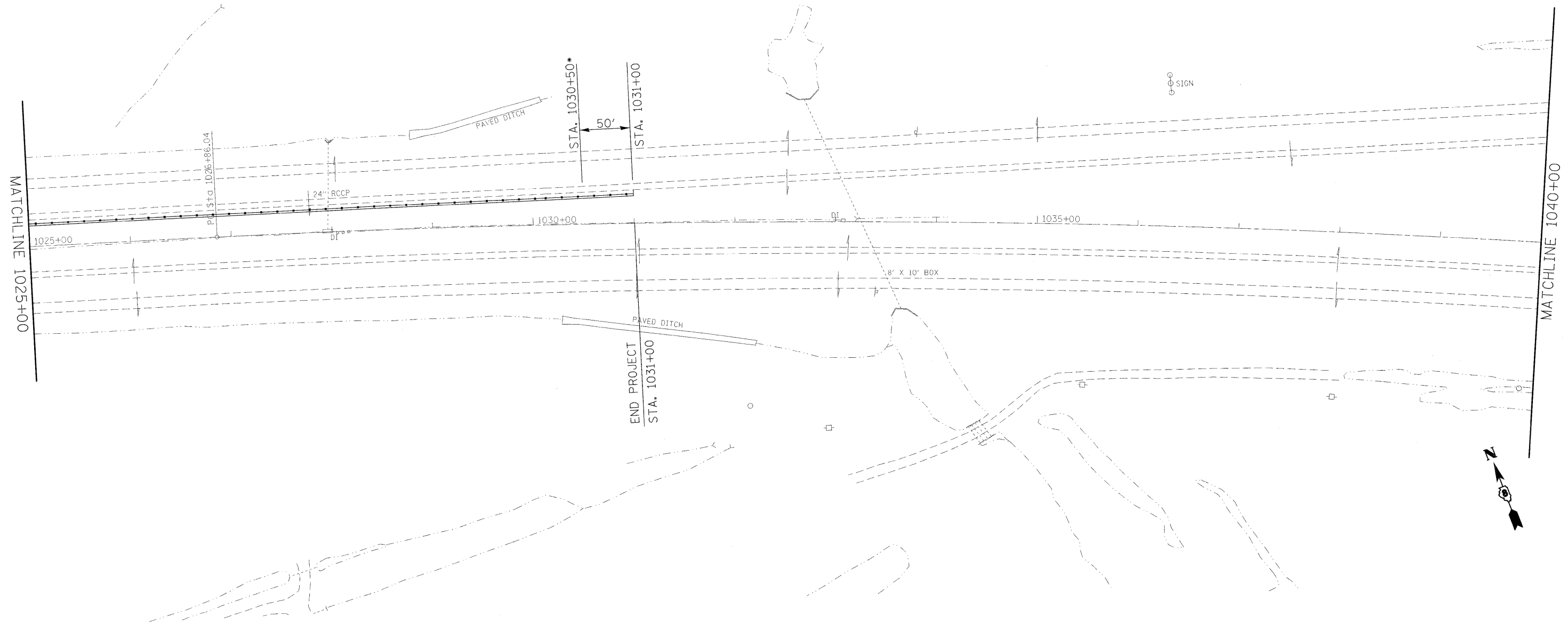
PLAN SHEET

SCALE: 1" = 50' SHEET NO. 19 OF 20 SHEETS STA. 1010+00 TO STA. 1025+00

F.A.I. RTE. 64	SECTION 82-(7,8)1	COUNTY ST. CLAIR	TOTAL SHEETS 52	SHEET NO. 27
FED. ROAD DIST. NO. _ ILLINOIS FED. AID PROJECT				

CONTRACT NO. 76C14

*THE INTENT IS TO EXTEND THE HTC BARRIER TO THE POINT WHERE THE MEDIAN IS 70' IN WIDTH, WHICH IS APPROXIMATELY STA. 1030+50. THE RE WILL FIELD MEASURE THE MEDIAN TO DETERMINE THE EXACT ENDING POINT FOR THE CABLE.



FILE NAME =
 c:\pwwork\pwidot\CONDVERPJ\dms63235\076c14-shr-plan.dgn

USER NAME = conoverpj
 PLOT SCALE = 50.0000' / IN.
 PLOT DATE = 11/26/2008

DESIGNED - ---
 DRAWN - ---
 CHECKED - ---
 DATE - ---

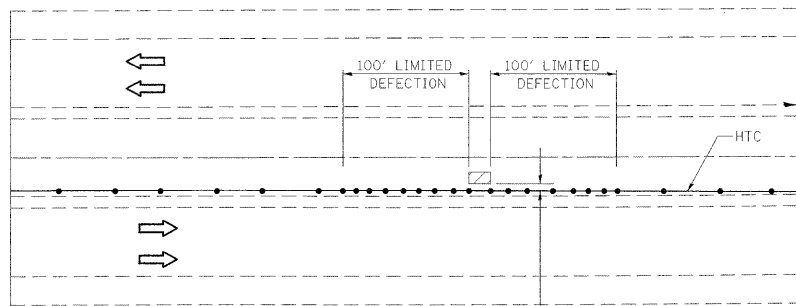
REVISED - ---
 REVISED - ---
 REVISED - ---
 REVISED - ---

**STATE OF ILLINOIS
 DEPARTMENT OF TRANSPORTATION**

PLAN SHEET

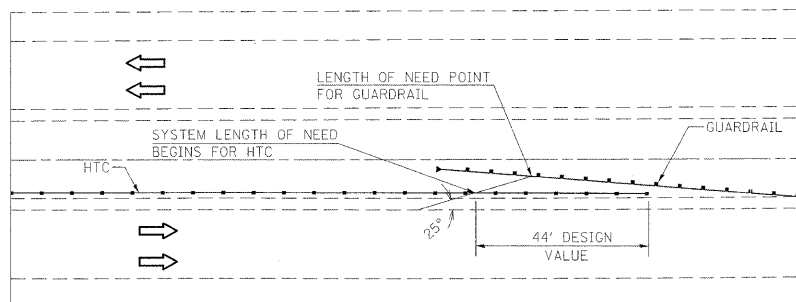
SCALE: 1" = 50' SHEET NO. 20 OF 20 SHEETS STA. 1025+00 TO STA. 1040+00

F.A.I. RTE.	SECTION	COUNTY	TOTAL SHEETS	SHEET NO.
64	82-(7,8)I	ST. CLAIR	52	28
CONTRACT NO. 76C14				
FED. ROAD DIST. NO. _ ILLINOIS FED. AID PROJECT				

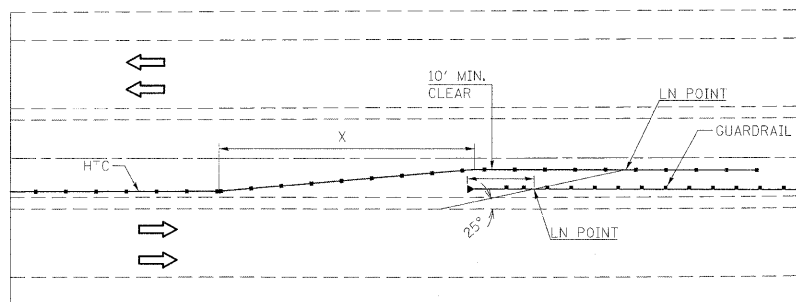


LIMITED DEFLECTION LOCATION
 STATION _____
 TO STATION _____
 ALLOWABLE DEFLECTION = _____

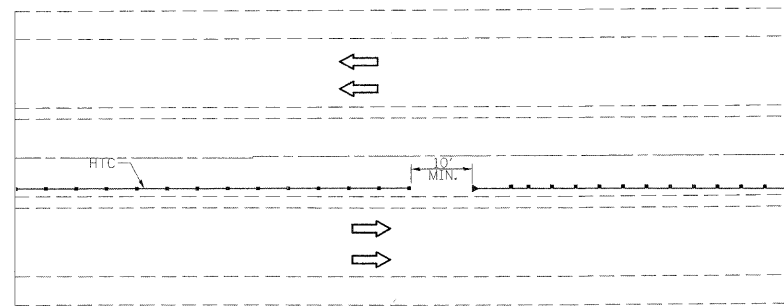
HTC LAYOUT & PLAN NOTATION FOR LIMITED DEFLECTION LOCATION



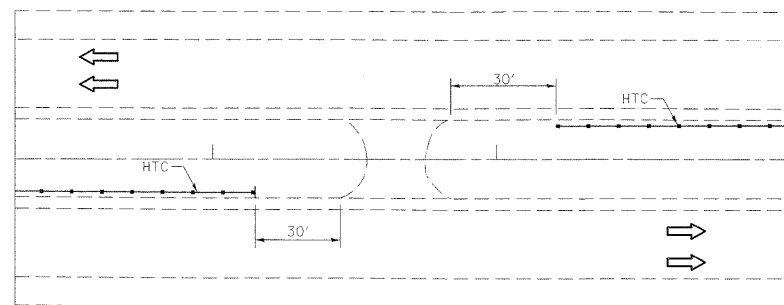
HTC LAYOUT FOR TERMINATION IN FRONT OF FLARED GUARDRAIL



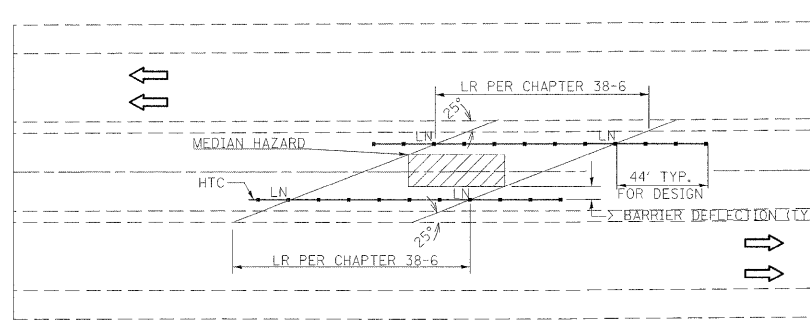
HTC LAYOUT FOR TERMINATION BEHIND TANGENT GUARDRAIL



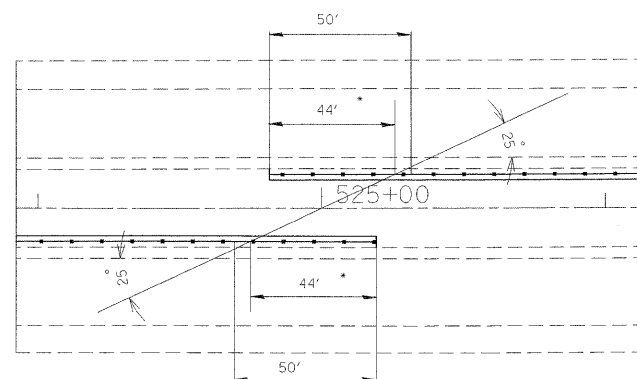
HTC LAYOUT ADJACENT TO GUARDRAIL



HTC LAYOUT AT MEDIAN CROSSOVERS



HTC LAYOUT FOR MEDIAN HAZARD PROTECTION



HTC LAYOUT FOR PLACEMENT ON OPPOSITE SIDES

* FOR PURPOSES OF HTC LAYOUT SHOWN IN PLANS, 44' FOR LON POINT WAS USED. ACTUAL LON POINT WILL VARY DEPENDING ON HTC SYSTEM USED.

PAY LENGTH FOR HTC MEDIAN BARRIER TERMINAL IS 50' REGARDLESS OF LON POINT.

FILE NAME =	USER NAME = conoverpj	DESIGNED -	REVISED -	STATE OF ILLINOIS DEPARTMENT OF TRANSPORTATION	HTC DETAILS			F.A.I. RTE.	SECTION	COUNTY	TOTAL SHEETS	SHEET NO.
et\pwork\pwidot\CONOVERPJ\dms63235\d	76c14-shr-plan.dgn	DRAWN -	REVISED -		64	82-(7,8)1	ST. CLAIR	52	29			
PLOT SCALE = 50.0000' / IN.		CHECKED -	REVISED -		CONTRACT NO. 76C14							
PLOT DATE = 11/25/2008		DATE -	REVISED -		FED. ROAD DIST. NO. ILLINOIS FED. AID PROJECT							
				SCALE: _____		SHEET NO. 1 OF 1 SHEETS		STA. _____ TO STA. _____				

THIS PLAN HAS BEEN PREPARED TO COMPLY WITH THE PROVISIONS OF THE NPDES PERMIT NUMBER ILR10, ISSUED BY THE ILLINOIS ENVIRONMENTAL PROTECTION AGENCY ON MAY 30, 2003 FOR STORM WATER DISCHARGES FROM CONSTRUCTION SITE ACTIVITIES. THIS PLAN HAS ALSO BEEN PREPARED TO COMPLY WITH THE PROVISIONS OF NPDES PERMIT NUMBER ILR40 FOR DISCHARGES FROM SMALL MUNICIPAL SEPARATE STORM SEWER SYSTEMS IF CHECKED BELOW.

NPDES PERMITS ASSOCIATED WITH THIS PROJECT:

- ILR10
 ILR40 PERMIT NO. 0493

I CERTIFY UNDER PENALTY OF LAW THAT THIS DOCUMENT AND ALL ATTACHMENTS WERE PREPARED UNDER MY DIRECTION OR SUPERVISION IN ACCORDANCE WITH A SYSTEM DESIGNED TO ASSURE THAT QUALIFIED PERSONNEL PROPERLY GATHERED AND EVALUATED THE INFORMATION SUBMITTED. BASED ON MY INQUIRY OF THE PERSON OR PERSONS WHO MANAGE THE SYSTEM, OR THOSE PERSONS DIRECTLY RESPONSIBLE FOR GATHERING THE INFORMATION, THE INFORMATION SUBMITTED IS, TO THE BEST OF MY KNOWLEDGE AND BELIEF, TRUE, ACCURATE AND COMPLETE. I AM AWARE THAT THERE ARE SIGNIFICANT PENALTIES FOR SUBMITTING FALSE INFORMATION, INCLUDING THE POSSIBILITY OF FINE AND IMPRISONMENT FOR KNOWING VIOLATIONS.

 MARY C. LAMIE
 PRINT NAME

 DEPUTY DIRECTOR OF HIGHWAYS
 REGION FIVE ENGINEER
 TITLE

 12/8/08
 DATE

 IL DEPT. OF TRANSPORTATION
 AGENCY

I. SITE DESCRIPTION:

A. THE FOLLOWING IS A DESCRIPTION OF THE PROJECT LOCATION:

THE PROJECT CONSISTS OF THE PROPOSED IMPROVEMENTS OF 5.44 MILES OF I-64 BETWEEN GREENMOUNT ROAD AND IL ROUTE 4.

B. THE FOLLOWING IS A DESCRIPTION OF THE CONSTRUCTION ACTIVITY WHICH IS THE SUBJECT OF THIS PLAN:

CONSTRUCTION WILL INCLUDE THE PLACEMENT OF A HOT-MIX ASPHALT SHOULDER AND HIGH TENSION CABLE MEDIAN BARRIER

C. THE FOLLOWING IS A DESCRIPTION OF THE INTENDED SEQUENCE OF MAJOR ACTIVITIES WHICH WILL DISTURB SOILS FOR MAJOR PORTIONS OF THE CONSTRUCTION SITE, SUCH AS GRUBBING, EXCAVATION AND GRADING:

DESCRIPTION OF INTENDED SEQUENCE FOR MAJOR CONSTRUCTION ACTIVITIES WHICH WILL DISTURB SOILS FOR MAJOR PORTIONS OF THE CONSTRUCTION SITE:

1. EXCAVATION FOR HOT-MIX ASPHALT SHOULDER INSTALLATION AND INSTALLATION OF HIGH TENSION CABLE MEDIAN BARRIER.

D. THE TOTAL AREA OF THE CONSTRUCTION SITE IS ESTIMATED TO BE 9.89 ACRES.

THE TOTAL AREA OF THE SITE THAT IS ESTIMATED WILL BE DISTURBED BY EXCAVATION, GRADING OR OTHER ACTIVITIES IS 9.89 ACRES.

E. THE FOLLOWING IS A WEIGHTED AVERAGE OF THE RUNOFF COEFFICIENT FOR THIS PROJECT AFTER CONSTRUCTION ACTIVITIES ARE COMPLETED: 0.5

F. THE FOLLOWING IS A DESCRIPTION OF THE SOIL TYPES FOUND AT THE PROJECT SITE FOLLOWED BY INFORMATION REGARDING THEIR EROSION:

THIRTY-EIGHT SOIL TYPES ARE LOCATED WITHIN THE PROJECT AREA OF THE I-64 CABLE MEDIAN BARRIER PROJECT. THESE ARE:

PIERRON SILT LOAM (31A) - A POORLY DRAINED SOIL WITH VERY SLOW PERMEABILITY. THIS SOIL DOES NOT FLOOD WITH SLOPES BETWEEN 0 AND 2 PERCENT. THIS SOIL HAS A SLIGHT SUSCEPTIBILITY TO WATER EROSION AND MODERATE SUSCEPTIBILITY TO WIND EROSION.

HERRICK SILT LOAM (46A) - A SOMEWHAT POORLY DRAINED SOIL WITH MODERATE PERMEABILITY. THIS SOIL DOES NOT FLOOD WITH SLOPES BETWEEN 0 AND 2 PERCENT. THIS SOIL HAS A SLIGHT SUSCEPTIBILITY TO WATER EROSION AND A SLIGHTLY MODERATE SUSCEPTIBILITY TO WIND EROSION.

CAMDEN SILT LOAM (50A) - A POORLY DRAINED SOIL WITH SLOW TO MODERATE PERMEABILITY. THIS SOIL DOES NOT FLOOD WITH SLOPES BETWEEN 0 AND 2 PERCENT. THIS SOIL HAS A SLIGHT SUSCEPTIBILITY TO WATER EROSION AND A SLIGHTLY MODERATE SUSCEPTIBILITY TO WIND EROSION.

MENFRO SILT LOAM (79B) - A WELL DRAINED SOIL WITH MODERATE PERMEABILITY. THIS SOIL DOES NOT FLOOD WITH SLOPES BETWEEN 2 AND 5 PERCENT. THIS SOIL HAS A MODERATE SUSCEPTIBILITY TO WATER EROSION AND A SLIGHTLY MODERATE SUSCEPTIBILITY TO WIND EROSION.

MENFRO SILT LOAM (79C2) - A WELL DRAINED SOIL WITH MODERATE PERMEABILITY. THIS SOIL DOES NOT FLOOD WITH SLOPES BETWEEN 5 AND 10 PERCENT. THIS SOIL HAS A MODERATE SUSCEPTIBILITY TO WATER EROSION AND A SLIGHTLY MODERATE SUSCEPTIBILITY TO WIND EROSION.

MENFRO SILT CLAY LOAM (79C3) - A WELL DRAINED SOIL WITH MODERATE PERMEABILITY. THIS SOIL DOES NOT FLOOD WITH SLOPES BETWEEN 5 AND 10 PERCENT. THIS SOIL HAS A MODERATE SUSCEPTIBILITY TO WATER EROSION AND A SLIGHT SUSCEPTIBILITY TO WIND EROSION.

MENFRO SILT LOAM (79D2) - A WELL DRAINED SOIL WITH MODERATE PERMEABILITY. THIS SOIL DOES NOT FLOOD WITH SLOPES BETWEEN 10 AND 18 PERCENT. THIS SOIL HAS A SEVERE SUSCEPTIBILITY TO WATER EROSION AND A SLIGHTLY MODERATE SUSCEPTIBILITY TO WIND EROSION.

MENFRO SILTY CLAY LOAM (79D3) - A WELL DRAINED SOIL WITH MODERATE PERMEABILITY. THIS SOIL DOES NOT FLOOD WITH SLOPES BETWEEN 10 AND 18 PERCENT. THIS SOIL HAS A SEVERE SUSCEPTIBILITY TO WATER EROSION AND A SLIGHT SUSCEPTIBILITY TO WIND EROSION.

MENFRO SILT LOAM (79F) - A WELL DRAINED SOIL WITH MODERATE PERMEABILITY. THIS SOIL DOES NOT FLOOD WITH SLOPES BETWEEN 18 AND 35 PERCENT. THIS SOIL HAS A SEVERE SUSCEPTIBILITY TO WATER EROSION AND A SLIGHTLY MODERATE SUSCEPTIBILITY TO WIND EROSION.

BETHALTO SILT LOAM (90A) - A SOMEWHAT POORLY DRAINED SOIL WITH MODERATE PERMEABILITY. THIS SOIL DOES NOT FLOOD WITH SLOPES BETWEEN 0 AND 2 PERCENT. THIS SOIL HAS A SLIGHT SUSCEPTIBILITY TO WATER EROSION AND A SLIGHTLY MODERATE SUSCEPTIBILITY TO WIND EROSION.

COWDEN SILT LOAM (112A) - A POORLY DRAINED SOIL WITH VERY SLOW PERMEABILITY. THIS SOIL DOES NOT FLOOD WITH SLOPES BETWEEN 0 AND 2 PERCENT. THIS SOIL HAS A SLIGHT SUSCEPTIBILITY TO WATER EROSION AND A SLIGHTLY MODERATE SUSCEPTIBILITY TO WIND EROSION.

OCONES SILT LOAM (113A) - A SOMEWHAT POORLY DRAINED SOIL WITH SLOW PERMEABILITY. THIS SOIL DOES NOT FLOOD WITH SLOPES BETWEEN 0 AND 2 PERCENT. THIS SOIL HAS A SLIGHT SUSCEPTIBILITY TO WATER EROSION AND A SLIGHTLY MODERATE SUSCEPTIBILITY TO WIND EROSION.

OCONES SILT LOAM (113B) - A SOMEWHAT POORLY DRAINED SOIL WITH SLOW PERMEABILITY. THIS SOIL DOES NOT FLOOD WITH SLOPES BETWEEN 2 AND 5 PERCENT. THIS SOIL HAS A SLIGHT SUSCEPTIBILITY TO WATER EROSION AND A SLIGHTLY MODERATE SUSCEPTIBILITY TO WIND EROSION.

CASEYVILLE SILT LOAM (267A) - A SOMEWHAT POORLY DRAINED SOIL WITH MODERATE PERMEABILITY. THIS SOIL DOES NOT FLOOD WITH SLOPES BETWEEN 2 AND 5 PERCENT. THIS SOIL HAS A SLIGHT SUSCEPTIBILITY TO WATER EROSION AND A SLIGHTLY MODERATE SUSCEPTIBILITY TO WIND EROSION.

DOWNSOUTH SILT LOAM (283B) - A MODERATELY WELL DRAINED SOIL WITH MODERATE PERMEABILITY. THIS SOIL DOES NOT FLOOD WITH SLOPES BETWEEN 2 AND 5 PERCENT. THIS SOIL HAS A MODERATE SUSCEPTIBILITY TO WATER EROSION AND A SLIGHTLY MODERATE SUSCEPTIBILITY TO WIND EROSION.

DOWNSOUTH SILT LOAM (283C2) - A MODERATELY WELL DRAINED SOIL WITH MODERATE PERMEABILITY. THIS SOIL DOES NOT FLOOD WITH SLOPES BETWEEN 5 AND 10 PERCENT. THIS SOIL HAS A MODERATE SUSCEPTIBILITY TO WATER EROSION AND A SLIGHTLY MODERATE SUSCEPTIBILITY TO WIND EROSION.

EDWARDSVILLE SILT LOAM (384A) - A SOMEWHAT POORLY DRAINED SOIL WITH MODERATE PERMEABILITY. THIS SOIL DOES NOT FLOOD WITH SLOPES BETWEEN 0 AND 2 PERCENT. THIS SOIL HAS A SLIGHT SUSCEPTIBILITY TO WATER EROSION AND A SLIGHTLY MODERATE SUSCEPTIBILITY TO WIND EROSION.

MASCOUHAH SILTY CLAY LOAM (385A) - A POORLY DRAINED SOIL WITH MODERATE PERMEABILITY. THIS SOIL DOES NOT FLOOD WITH SLOPES BETWEEN 0 AND 2 PERCENT. THIS SOIL HAS A SLIGHT SUSCEPTIBILITY TO WATER AND WIND EROSION.

WAKENDA SILT LOAM (441B) - A MODERATELY WELL DRAINED SOIL WITH MODERATE PERMEABILITY. THIS SOIL DOES NOT FLOOD WITH SLOPES BETWEEN 5 AND 10 PERCENT. THIS SOIL HAS A MODERATE SUSCEPTIBILITY TO WATER EROSION AND A SLIGHTLY MODERATE SUSCEPTIBILITY TO WIND EROSION.

WAKENDA SILT LOAM (441C2) - A MODERATELY WELL DRAINED SOIL WITH MODERATE PERMEABILITY. THIS SOIL DOES NOT FLOOD WITH SLOPES BETWEEN 2 AND 5 PERCENT. THIS SOIL HAS A MODERATE SUSCEPTIBILITY TO WATER EROSION AND A SLIGHTLY MODERATE SUSCEPTIBILITY TO WIND EROSION.

WINFIELD SILT LOAM (477B2) - A MODERATELY WELL DRAINED SOIL WITH MODERATE PERMEABILITY. THIS SOIL DOES NOT FLOOD WITH SLOPES BETWEEN 2 AND 5 PERCENT. THIS SOIL HAS A MODERATE SUSCEPTIBILITY TO WATER EROSION AND A SLIGHTLY MODERATE SUSCEPTIBILITY TO WIND EROSION.

WINFIELD SILTY CLAY LOAM (477C2) - A MODERATELY WELL DRAINED SOIL WITH MODERATE PERMEABILITY. THIS SOIL DOES NOT FLOOD WITH SLOPES BETWEEN 5 AND 10 PERCENT. THIS SOIL HAS A MODERATE SUSCEPTIBILITY TO WATER EROSION AND A SLIGHTLY MODERATE SUSCEPTIBILITY TO WIND EROSION.

WINFIELD SILTY CLAY LOAM (477C3) - A MODERATELY WELL DRAINED SOIL WITH MODERATE PERMEABILITY. THIS SOIL DOES NOT FLOOD WITH 10 PERCENT SLOPES. THIS SOIL HAS A MODERATE SUSCEPTIBILITY TO WATER EROSION AND A SLIGHT SUSCEPTIBILITY TO WIND EROSION.

RUMA SILTY CLAY LOAM (491B2) - A WELL DRAINED SOIL WITH MODERATE PERMEABILITY. THIS SOIL DOES NOT FLOOD WITH SLOPES BETWEEN 2 AND 5 PERCENT. THIS SOIL HAS A MODERATE SUSCEPTIBILITY TO WATER EROSION AND A SLIGHTLY MODERATE SUSCEPTIBILITY TO WIND EROSION.

RUMA SILTY CLAY LOAM (491C3) - A WELL DRAINED SOIL WITH MODERATE PERMEABILITY. THIS SOIL DOES NOT FLOOD WITH SLOPES BETWEEN 5 AND 10 PERCENT. THIS SOIL HAS A MODERATE SUSCEPTIBILITY TO WATER EROSION AND A SLIGHTLY MODERATE SUSCEPTIBILITY TO WIND EROSION.

RUMA SILTY CLAY LOAM (491D3) - A WELL DRAINED SOIL WITH MODERATE PERMEABILITY. THIS SOIL DOES NOT FLOOD WITH SLOPES BETWEEN 10 AND 18 PERCENT. THIS SOIL HAS A SEVERE SUSCEPTIBILITY TO WATER EROSION AND A SLIGHTLY MODERATE SUSCEPTIBILITY TO WIND EROSION.

MARINE SILT LOAM (517A) - A SOMEWHAT POORLY DRAINED SOIL WITH SLOW PERMEABILITY. THIS SOIL DOES NOT FLOOD WITH SLOPES BETWEEN 2 AND 5 PERCENT. THIS SOIL HAS A SLIGHT SUSCEPTIBILITY TO WATER EROSION AND A MODERATE SUSCEPTIBILITY TO WIND EROSION.

MARINE SILT LOAM (517B) - A SOMEWHAT POORLY DRAINED SOIL WITH SLOW PERMEABILITY. THIS SOIL DOES NOT FLOOD WITH SLOPES BETWEEN 2 AND 5 PERCENT. THIS SOIL HAS A MODERATE SUSCEPTIBILITY TO WATER AND WIND EROSION.

HOMEN SILT LOAM (582B) - A MODERATELY WELL DRAINED SOIL WITH MODERATE PERMEABILITY. THIS SOIL DOES NOT FLOOD WITH 2 TO 5 PERCENT SLOPES. THIS SOIL HAS A MODERATE SUSCEPTIBILITY TO WATER EROSION AND A SLIGHTLY MODERATE SUSCEPTIBILITY TO WIND EROSION.

HORMAN SILT LOAM (582B2) - A MODERATELY WELL DRAINED SOIL WITH MODERATE PERMEABILITY. THIS SOIL DOES NOT FLOOD WITH 2 TO 5 PERCENT SLOPES. THIS SOIL HAS A MODERATE SUSCEPTIBILITY TO WATER EROSION AND A SLIGHTLY MODERATE SUSCEPTIBILITY TO WIND EROSION.

HOMEN SILT LOAM (582C2) - A MODERATELY WELL DRAINED SOIL WITH MODERATE PERMEABILITY. THIS SOIL DOES NOT FLOOD WITH SLOPES BETWEEN 5 AND 10 PERCENT. THIS SOIL HAS A MODERATE SUSCEPTIBILITY TO WATER EROSION AND A SLIGHTLY MODERATE SUSCEPTIBILITY TO WIND EROSION.

ORTHENTS SILTY (801D) - A SOMEWHAT POORLY DRAINED SOIL WITH SLOW PERMEABILITY. THIS SOIL DOES NOT FLOOD WITH STEEP SLOPES. THIS SOIL HAS A SEVERE SUSCEPTIBILITY TO WATER EROSION AND A SLIGHTLY MODERATE SUSCEPTIBILITY TO WIND EROSION.

MANFRO-URBAN LAND COMPLEX (2079D) - A WELL DRAINED SOIL WITH MODERATE PERMEABILITY. THIS SOIL DOES NOT FLOOD WITH SLOPES BETWEEN 8 AND 15 PERCENT. THIS SOIL HAS A MODERATE SUSCEPTIBILITY TO WATER EROSION AND A SLIGHTLY MODERATE SUSCEPTIBILITY TO WIND EROSION.

EDWARDSVILLE-URBAN LAND COMPLEX (2384B) - A SOMEWHAT POORLY DRAINED SOIL WITH MODERATE PERMEABILITY. THIS SOIL DOES NOT FLOOD WITH SLOPES BETWEEN 1 AND 4 PERCENT. THIS SOIL HAS A SLIGHT SUSCEPTIBILITY TO WATER EROSION AND A SLIGHTLY MODERATE SUSCEPTIBILITY TO WIND EROSION.

WINFIELD-URBAN LAND COMPLEX (2477B) - A MODERATELY WELL DRAINED SOIL WITH MODERATE PERMEABILITY. THIS SOIL DOES NOT FLOOD WITH SLOPES BETWEEN 2 AND 8 PERCENT. THIS SOIL HAS A SLIGHTLY MODERATE SUSCEPTIBILITY TO WIND EROSION.

PETROLIA SILTY CLAY LOAM (3288L) - A POORLY DRAINED SOIL WITH SLOW TO MODERATE PERMEABILITY. THIS SOIL FREQUENTLY FLOODS WITH SLOPES BETWEEN 0 AND 2 PERCENT. THIS SOIL HAS A SLIGHT SUSCEPTIBILITY TO WATER AND WIND EROSION.

WAKELAND SILT LOAM (3333A) - A SOMEWHAT POORLY DRAINED SOIL WITH MODERATE PERMEABILITY. THIS SOIL FREQUENTLY FLOODS WITH SLOPES BETWEEN 0 AND 2 PERCENT. THIS SOIL HAS A SLIGHT SUSCEPTIBILITY TO WATER EROSION AND A MODERATE SUSCEPTIBILITY TO WIND EROSION.

BIRDS SILT LOAM (3334L) - A POORLY DRAINED SOIL WITH SLOW TO MODERATE PERMEABILITY. THIS SOIL FLOODS FREQUENTLY WITH SLOPES BETWEEN 0 AND 6 PERCENT. THIS SOIL HAS A SLIGHT SUSCEPTIBILITY TO WATER EROSION AND A SLIGHTLY MODERATE SUSCEPTIBILITY TO WIND EROSION.

G. THE FOLLOWING IS A DESCRIPTION OF POTENTIALLY EROSION AREAS ASSOCIATED WITH THIS PROJECT:

REFER TO THE DESCRIPTION OF SOIL TYPES SHOWN IN "F." UNDER THE SITE DESCRIPTION.

H. THE FOLLOWING IS A DESCRIPTION OF SOIL DISTURBING ACTIVITIES, THEIR LOCATIONS, AND THEIR EROSION FACTORS (E.G. STEEPNESS OF SLOPES, LENGTH OF SLOPES, ETC):

THE NATURE AND PURPOSE OF LAND DISTURBING ACTIVITIES ON THIS PROJECT IS TO EXCAVATE AND PLACE A 6 FOOT AND VARIABLE WIDE, 4" DEEP MOW STRIP ALONG THE EDGE OF SHOULDER, AT LOCATIONS SHOWN ON THE PLAN SHEETS, TO PLACE A HIGH TENSION CABLE MEDIAN BARRIER. EXCAVATED MATERIAL WILL BE USED TO MATCH THE EDGE OF THE MOW STRIP WITH THE EXISTING SLOPE.

I. SEE THE EROSION CONTROL PLANS AND/OR DRAINAGE PLANS FOR THIS CONTRACT FOR INFORMATION REGARDING DRAINAGE PATTERNS, APPROXIMATE SLOPES ANTICIPATED BEFORE AND AFTER MAJOR GRADING ACTIVITIES, LOCATIONS WHERE VEHICLES ENTER OR EXIT THE SITE AND CONTROLS TO PREVENT OFF SITE SEDIMENT TRACKING (TO BE ADDED AFTER CONTRACTOR IDENTIFIES LOCATIONS), AREAS OF SOIL DISTURBANCE, THE LOCATION OF MAJOR STRUCTURAL AND NON-STRUCTURAL CONTROLS IDENTIFIED IN THE PLAN, THE LOCATION OF AREAS WHERE STABILIZATION PRACTICES ARE EXPECTED TO OCCUR, SURFACE WATERS (INCLUDING WETLANDS) AND LOCATIONS WHERE STORM WATER IS DISCHARGED TO SURFACE WATER INCLUDING WETLANDS.

J. THE FOLLOWING IS A LIST OF RECEIVING WATER(S) AND THE ULTIMATE RECEIVING WATER(S), AND AERIAL EXTENT OF WETLAND ACREAGE AT THE SITE. THE LOCATION OF THE RECEIVING WATERS CAN BE FOUND ON THE EROSION AND SEDIMENT CONTROL PLANS:

NONE

K. THE FOLLOWING POLLUTANTS OF CONCERN WILL BE ASSOCIATED WITH THIS CONSTRUCTION PROJECT: (CHECK ALL THAT APPLY)

- | | |
|---|--|
| <input checked="" type="checkbox"/> SOIL SEDIMENT | <input checked="" type="checkbox"/> PETROLEUM (GAS, DIESEL, OIL, KEROSENE, HYDRAULIC OIL/FLUIDS) |
| <input checked="" type="checkbox"/> CONCRETE | <input checked="" type="checkbox"/> ANTIFREEZE / COOLANTS |
| <input checked="" type="checkbox"/> CONCRETE TRUCK WASTE | <input checked="" type="checkbox"/> WASTE WATER FROM CLEANING CONSTRUCTION EQUIPMENT |
| <input checked="" type="checkbox"/> CONCRETE CURING COMPOUNDS | <input type="checkbox"/> OTHER (SPECIFY)..... |
| <input checked="" type="checkbox"/> SOLID WASTE DEBRIS | <input type="checkbox"/> OTHER (SPECIFY)..... |
| <input type="checkbox"/> PAINTS | <input type="checkbox"/> OTHER (SPECIFY)..... |
| <input type="checkbox"/> SOLVENTS | <input type="checkbox"/> OTHER (SPECIFY)..... |
| <input checked="" type="checkbox"/> FERTILIZERS / PESTICIDES | <input type="checkbox"/> OTHER (SPECIFY)..... |

FILE NAME =	USER NAME = conoverpj	DESIGNED -	REVISED -	STATE OF ILLINOIS DEPARTMENT OF TRANSPORTATION				SWPPP PLAN				F.A.I. RTE.	SECTION	COUNTY	TOTAL SHEETS	SHEET NO.
et:\pw\work\WPIDOT\CONOVERPJ\dms63235\d	76e14-shr-plan.dgn	DRAWN -	REVISED -									64	82-17,811	ST. CLAIR	52	30
	PLOT SCALE = 50.0000' / IN.	CHECKED -	REVISED -	SCALE: _____ SHEET NO. 1 OF 3 SHEETS STA. _____ TO STA. _____				CONTRACT NO. 76C14								
	PLOT DATE = 11/26/2008	DATE -	REVISED -					FED. ROAD DIST. NO. _____ ILLINOIS FED. AID PROJECT								

II. CONTROLS

THIS SECTION OF THE PLAN ADDRESSES THE CONTROLS THAT WILL BE IMPLEMENTED FOR EACH OF THE MAJOR CONSTRUCTION ACTIVITIES DESCRIBED IN I.C. ABOVE AND FOR ALL USE AREAS, BORROW SITES, AND WASTE SITES. FOR EACH MEASURE DISCUSSED, THE CONTRACTOR WILL BE RESPONSIBLE FOR ITS IMPLEMENTATION AS INDICATED. THE CONTRACTOR SHALL PROVIDE TO THE RESIDENT ENGINEER A PLAN FOR THE IMPLEMENTATION OF THE MEASURES INDICATED. THE CONTRACTOR, AND SUBCONTRACTORS, WILL NOTIFY THE RESIDENT ENGINEER OF ANY PROPOSED CHANGES, MAINTENANCE, OR MODIFICATIONS TO KEEP CONSTRUCTION ACTIVITIES COMPLIANT WITH THE PERMIT. EACH SUCH CONTRACTOR HAS SIGNED THE REQUIRED CERTIFICATION ON FORMS WHICH WILL BE PROVIDED AT THE PRE-CONSTRUCTION CONFERENCE, AND ARE A PART OF, THIS PLAN:

A. EROSION AND SEDIMENT CONTROL

1. STABILIZED PRACTICES: PROVIDED BELOW IS A DESCRIPTION OF INTERIM AND PERMANENT STABILIZATION PRACTICES, INCLUDING SITE SPECIFIC SCHEDULING OF THE IMPLEMENTATION OF THE PRACTICES. SITE PLANS WILL ENSURE THAT EXISTING VEGETATION IS PRESERVED WHERE ATTAINABLE AND DISTURBED PORTIONS OF THE SITE WILL BE STABILIZED. STABILIZATION PRACTICES MAY INCLUDE BUT ARE NOT LIMITED TO: TEMPORARY SEEDING, PERMANENT SEEDING, MULCHING, GEOTEXTILES, SODDING, VEGETATIVE BUFFER STRIPS, PROTECTION OF TREES, PRESERVATION OF MATURE VEGETATION, AND OTHER APPROPRIATE MEASURES. EXCEPT AS PROVIDED BELOW IN III(A)(1)(g) AND III(A)(3), STABILIZATION MEASURES SHALL BE INITIATED AS SOON AS PRACTICABLE IN PORTIONS OF THE SITE WHERE CONSTRUCTION ACTIVITIES HAVE TEMPORARILY OR PERMANENTLY CEASED, BUT IN NO CASE MORE THAN 14 DAYS AFTER THE CONSTRUCTION ACTIVITY IN THAT PORTION OF THE SITE HAS TEMPORARILY OR PERMANENTLY CEASED ON ALL DISTURBED PORTIONS OF THE SITE WHERE CONSTRUCTION WILL NOT OCCUR FOR A PERIOD OF 21 OR MORE CALENDAR DAYS.

o. WHERE THE INITIATION OF STABILIZATION MEASURES BY THE 14TH DAY AFTER CONSTRUCTION ACTIVITY TEMPORARILY OR PERMANENTLY CEASES IS PRECLUDED BY SNOW COVER, STABILIZATION MEASURES SHALL BE INITIATED AS SOON AS PRACTICABLE THEREAFTER.

THE FOLLOWING STABILIZATION PRACTICES WILL BE USED FOR THIS PROJECT:
(CHECK ALL THAT APPLY)

- | | |
|---|--|
| <input type="checkbox"/> PRESERVATION OF MATURE VEGETATION | <input checked="" type="checkbox"/> EROSION CONTROL BLANKET / MULCHING |
| <input type="checkbox"/> VEGETATED BUFFER STRIPS | <input type="checkbox"/> SODDING |
| <input type="checkbox"/> PROTECTION OF TREES | <input type="checkbox"/> GEOTEXTILES |
| <input checked="" type="checkbox"/> TEMPORARY EROSION CONTROL SEEDING | <input type="checkbox"/> OTHER (SPECIFY)..... |
| <input checked="" type="checkbox"/> TEMPORARY TURF (SEEDING, CLASS 7) | <input type="checkbox"/> OTHER (SPECIFY)..... |
| <input checked="" type="checkbox"/> TEMPORARY MULCHING | <input type="checkbox"/> OTHER (SPECIFY)..... |
| <input checked="" type="checkbox"/> PERMANENT SEEDING | <input type="checkbox"/> OTHER (SPECIFY)..... |

DESCRIBE HOW THE STRUCTURAL PRACTICES LISTED ABOVE WILL BE UTILIZED:

1. STORM DRAIN INLET PROTECTION - INLET AND PIPE PROTECTION WILL BE PROVIDED FOR STORM SEWERS AND CULVERTS. SEDIMENT FILTERS WILL BE PLACED IN ALL INLETS, CATCH BASINS AND MANHOLES DURING CONSTRUCTION AND WILL BE CLEANED ON A REGULAR BASIS.

AS SOON AS REASONABLE ACCESS IS AVAILABLE TO ALL LOCATIONS WHERE WATER DRAINS AWAY FROM THE PROJECT, TEMPORARY DITCH CHECKS, INLET AND PIPE PROTECTION, AND PERIMETER EROSION BARRIER SHALL BE INSTALLED AS CALLED OUT IN THIS PLAN AND DIRECTED BY THE ENGINEER.

ALL EROSION CONTROL PRODUCTS FURNISHED SHALL BE SPECIFICALLY RECOMMENDED BY THE MANUFACTURER FOR THE USE SPECIFIED IN THE EROSION CONTROL PLAN. PRIOR TO THE APPROVAL AND USE OF THE PRODUCT, THE CONTRACTOR SHALL SUBMIT TO THE ENGINEER A NOTARIZED CERTIFICATION BY THE PRODUCER STATING THE INTENDED USE OF THE PRODUCT AND THAT THE PHYSICAL PROPERTIES REQUIRED FOR THIS APPLICATION ARE MET OR EXCEEDED. THE CONTRACTOR SHALL PROVIDE MANUFACTURER INSTALLATION PROCEDURES TO FACILITATE THE ENGINEER IN CONSTRUCTION INSPECTION.

DESCRIBE HOW THE STABILIZATION PRACTICES LISTED ABOVE WILL BE UTILIZED:

1. PERMANENT SEEDING - SEEDING, CLASS 2A WILL BE INSTALLED PER IDOT SPECIFICATIONS.
2. MULCH - MULCH WILL BE INSTALLED IN AREAS THAT HAVE BEEN BROUGHT TO FINAL GRADE AND SEEDED TO PROTECT SLOPES FROM EROSION AND ALLOW SEEDS TO GERMINATE. MULCH, METHOD 1 WILL BE APPLIED TO PROTECT THE DISTURBED AREAS AND PREVENT FURTHER EROSION.

MULCH AS APPLIED TO TEMPORARY EROSION CONTROL SEEDING SHALL BE BY THE METHOD SPECIFIED IN THE CONTRACT AND AT THE DIRECTION OF THE ENGINEER. MULCH WILL BE PAID SEPARATELY AND SHALL CONFORM TO SECTION 251 OF THE STANDARD SPECIFICATIONS.

PERMANENT STABILIZATION - ALL AREAS DISTURBED BY CONSTRUCTION WILL BE STABILIZED WITH PERMANENT SEEDING IMMEDIATELY FOLLOWING THE FINISHED GRADING. EROSION CONTROL BLANKETS WILL BE INSTALLED OVER FILL SLOPES WHICH HAVE BEEN BROUGHT TO FINAL GRADE AND HAVE BEEN SEEDED TO PROTECT THE SLOPES FROM RILL AND GULLY EROSION AND ALLOW SEED TO GERMINATE PROPERLY. MULCH, METHOD 2 WILL BE USED ON RELATIVELY FLAT AREAS.

2. STRUCTURAL PRACTICES: PROVIDED BELOW IS A DESCRIPTION OF STRUCTURAL PRACTICES THAT WILL BE IMPLEMENTED, TO THE DEGREE ATTAINABLE, TO DIVERT FLOWS FROM EXPOSED SOILS, STORE FLOWS OR OTHERWISE LIMIT RUNOFF AND THE DISCHARGE OF POLLUTANTS FROM EXPOSED AREAS OF THE SITE. SUCH PRACTICES MAY INCLUDE BUT ARE NOT LIMITED TO: PERIMETER EROSION BARRIER, EARTH DIKES, DRAINAGE SWALES, SEDIMENT TRAPS, DITCH CHECKS, SUBSURFACE DRAINS, PIPE SLOPE DRAINS, LEVEL SPREADERS, STORM DRAIN INLET PROTECTION, ROCK OUTLET PROTECTION, REINFORCED SOIL RETAINING SYSTEMS, GABIONS, AND TEMPORARY OR PERMANENT SEDIMENT BASINS. THE INSTALLATION OF THESE DEVICES MAY BE SUBJECT TO SECTION 404 OF THE CLEAN WATER ACT.

THE FOLLOWING STRUCTURAL PRACTICES WILL BE USED FOR THIS PROJECT:(CHECK ALL THAT APPLY)

- | | |
|--|--|
| <input type="checkbox"/> PERIMETER EROSION BARRIER | <input type="checkbox"/> ROCK OUTLET PROTECTION |
| <input type="checkbox"/> TEMPORARY DITCH CHECK | <input type="checkbox"/> RIPRAP |
| <input checked="" type="checkbox"/> STORM DRAIN INLET PROTECTION | <input type="checkbox"/> GABIONS |
| <input type="checkbox"/> SEDIMENT TRAP | <input type="checkbox"/> SLOPE MATTRESS |
| <input type="checkbox"/> TEMPORARY PIPE SLOPE DRAIN | <input type="checkbox"/> RETAINING WALLS |
| <input type="checkbox"/> TEMPORARY SEDIMENT BASIN | <input type="checkbox"/> SLOPE WALLS |
| <input type="checkbox"/> TEMPORARY STREAM CROSSING | <input type="checkbox"/> CONCRETE REVETMENT MATS |
| <input type="checkbox"/> STABILIZED CONSTRUCTION EXITS | <input type="checkbox"/> LEVEL SPREADERS |
| <input type="checkbox"/> TURF REINFORCEMENT MATS | <input type="checkbox"/> OTHER (SPECIFY)..... |
| <input type="checkbox"/> PERMANENT CHECK DAMS | <input type="checkbox"/> OTHER (SPECIFY)..... |
| <input type="checkbox"/> PERMANENT SEDIMENT BASIN | <input type="checkbox"/> OTHER (SPECIFY)..... |
| <input type="checkbox"/> AGGREGATE DITCH | <input type="checkbox"/> OTHER (SPECIFY)..... |
| <input type="checkbox"/> PAVED DITCH | <input type="checkbox"/> OTHER (SPECIFY)..... |

FILE NAME =	USER NAME = conoverpj	DESIGNED - ---	REVISED - ---	STATE OF ILLINOIS DEPARTMENT OF TRANSPORTATION	SWPPP PLAN	F.A.I. RTE.	SECTION	COUNTY	TOTAL SHEETS	SHEET NO.	
ot\pw_work\PWIDOT\CONDVERPJ\dms63235\d	76c14-ah-plan.dgn	DRAWN - ---	REVISED - ---			64	82-(7,8)I	ST. CLAIR	52	31	
	PLOT SCALE = 50.0000' / IN.	CHECKED - ---	REVISED - ---			CONTRACT NO. 76C14					
	PLOT DATE = 11/26/2008	DATE - ---	REVISED - ---			SCALE: -----	SHEET NO. 2 OF 3 SHEETS	STA. ----- TO STA. -----	FED. ROAD DIST. NO. - [ILLINOIS] FED. AID PROJECT		

3. STORM WATER MANAGEMENT: PROVIDED BELOW IS A DESCRIPTION OF MEASURES THAT WILL BE INSTALLED DURING THE CONSTRUCTION PROCESS TO CONTROL POLLUTANTS IN STORM WATER DISCHARGES THAT WILL OCCUR AFTER CONSTRUCTION OPERATIONS HAVE BEEN COMPLETED. THE INSTALLATION OF THESE DEVICES MAY BE SUBJECT TO SECTION 404 OF THE CLEAN WATER ACT.

a. SUCH PRACTICES MAY INCLUDE BUT ARE NOT LIMITED TO: STORM WATER DETENTION STRUCTURES (INCLUDING WET PONDS), STORM WATER RETENTION STRUCTURES, FLOW ATTENUATION BY USE OF OPEN VEGETATED SWALES AND NATURAL DEPRESSIONS, INFILTRATION OF RUNOFF ON SITE, AND SEQUENTIAL SYSTEMS (WHICH COMBINE SEVERAL PRACTICES). THE PRACTICES SELECTED FOR IMPLEMENTATION WERE DETERMINED ON THE BASIS OF THE TECHNICAL GUIDANCE IN SECTION 59-8 (EROSION AND SEDIMENT CONTROL) IN CHAPTER 59 (LANDSCAPE DESIGN AND EROSION CONTROL) OF THE ILLINOIS DEPARTMENT OF TRANSPORTATION BUREAU OF DESIGN AND ENVIRONMENT MANUAL. IF PRACTICES OTHER THAN THOSE DISCUSSED IN SECTION 59-8 ARE SELECTED FOR IMPLEMENTATION OR IF PRACTICES ARE APPLIED TO SITUATIONS DIFFERENT FROM THOSE COVERED IN SECTION 59-8, THE TECHNICAL BASIS FOR SUCH DECISIONS WILL BE EXPLAINED BELOW.

b. VELOCITY DISSIPATION DEVICES WILL BE PLACED AT DISCHARGE LOCATIONS AND ALONG THE LENGTH OF ANY OUTFALL CHANNEL AS NECESSARY TO PROVIDE A NON-EROSIVE VELOCITY FLOW FROM THE STRUCTURE TO A WATER COURSE SO THAT THE NATURAL PHYSICAL AND BIOLOGICAL CHARACTERISTICS AND FUNCTIONS ARE MAINTAINED AND PROTECTED (E.G. MAINTENANCE OF HYDROLOGIC CONDITIONS SUCH AS THE HYDROPERIOD AND HYDRODYNAMICS PRESENT PRIOR TO THE INITIATION OF CONSTRUCTION ACTIVITIES).

DESCRIPTION OF STORM WATER MANAGEMENT CONTROLS:

DUE TO THE TYPE OF PROJECT, NO STORM WATER DETENTION IS REQUIRED.

4. OTHER CONTROLS:

a. VEHICLE ENTRANCES AND EXITS - STABILIZED CONSTRUCTION ENTRANCES AND EXITS MUST BE CONSTRUCTED TO PREVENT TRACKING OF SEDIMENTS ONTO ROADWAYS.

THE CONTRACTOR WILL PROVIDE THE RESIDENT ENGINEER WITH A WRITTEN PLAN IDENTIFYING THE LOCATION OF STABILIZED ENTRANCES AND EXITS AND THE PROCEDURES (SHE WILL USE TO CONSTRUCT AND MAINTAIN THEM.

b. MATERIAL DELIVERY, STORAGE, AND USE - THE FOLLOWING BMPs SHALL BE IMPLEMENTED TO HELP PREVENT DISCHARGES OF CONSTRUCTION MATERIALS DURING DELIVERY, STORAGE, AND USE:

- ALL PRODUCTS DELIVERED TO THE PROJECT SITE MUST BE PROPERLY LABELED.
- WATER TIGHT SHIPPING CONTAINERS AND/OR SEMI TRAILERS SHALL BE USED TO STORE HAND TOOLS, SMALL PARTS, AND MOST CONSTRUCTION MATERIALS THAT CAN BE CARRIED BY HAND, SUCH AS PAINT CANS, SOLVENTS, AND GREASE.
- A STORAGE/CONTAINMENT FACILITY SHOULD BE CHOSEN FOR LARGER ITEMS SUCH AS DRUMS AND ITEMS SHIPPED OR STORED ON PALLETS. SUCH MATERIAL IS TO BE COVERED BY A TIN ROOF OR LARGE SHEETS OF PLASTIC TO PREVENT PRECIPITATION FROM COMING IN CONTACT WITH THE PRODUCTS BEING STORED.
- LARGE ITEMS SUCH AS LIGHT STANDS, FRAMING MATERIALS AND LUMBER SHALL BE STORED IN THE OPEN IN A GENERAL STORAGE AREA. SUCH MATERIAL SHALL BE ELEVATED WITH WOOD BLOCKS TO MINIMIZE CONTACT WITH STORM WATER RUNOFF.
- SPILL CLEAN-UP MATERIALS, MATERIAL SAFETY DATA SHEETS, AN INVENTORY OF MATERIALS, AND EMERGENCY CONTACT NUMBERS SHALL BE MAINTAINED AND STORED IN ONE DESIGNATED AREA AND EACH CONTRACTOR IS TO INFORM HIS/HER EMPLOYEES AND THE RESIDENT ENGINEER OF THIS LOCATION.

c. STOCKPILE MANAGEMENT - BMPs SHALL BE IMPLEMENTED TO REDUCE OR ELIMINATE POLLUTION OF STORM WATER FROM STOCKPILES OF SOIL AND PAVING MATERIALS SUCH AS BUT NOT LIMITED TO PORTLAND CEMENT CONCRETE RUBBLE, ASPHALT CONCRETE, ASPHALT CONCRETE RUBBLE, AGGREGATE BASE, AGGREGATE SUB BASE, AND PRE-MIXED AGGREGATE. THE FOLLOWING BMPs MAY BE CONSIDERED:

- PERIMETER EROSION BARRIER
- TEMPORARY SEEDING
- TEMPORARY MULCH
- PLASTIC COVERS
- SOIL BINDERS
- STORM DRAIN INLET PROTECTION

THE CONTRACTOR WILL PROVIDE THE RESIDENT ENGINEER WITH A WRITTEN PLAN OF THE PROCEDURES (SHE WILL USE ON THE PROJECT AND HOW THEY WILL BE MAINTAINED.

d. WASTE DISPOSAL. NO MATERIALS, INCLUDING BUILDING MATERIALS, SHALL BE DISCHARGED INTO WATERS OF THE STATE, EXCEPT AS AUTHORIZED BY A SECTION 404 PERMIT.

e. THE PROVISIONS OF THIS PLAN SHALL ENSURE AND DEMONSTRATE COMPLIANCE WITH APPLICABLE STATE AND/OR LOCAL WASTE DISPOSAL, SANITARY SEWER OR SEPTIC SYSTEM REGULATIONS.

f. THE CONTRACTOR SHALL PROVIDE A WRITTEN AND GRAPHIC PLAN TO THE RESIDENT ENGINEER IDENTIFYING WHERE EACH OF THE ABOVE AREAS WILL BE LOCATED AND HOW THEY ARE TO BE MANAGED.

5. APPROVED STATE OR LOCAL LAWS

THE MANAGEMENT PRACTICES, CONTROLS AND PROVISIONS CONTAINED IN THIS PLAN WILL BE IN ACCORDANCE WITH IDOT SPECIFICATIONS, WHICH ARE AT LEAST AS PROTECTIVE AS THE REQUIREMENTS CONTAINED IN THE ILLINOIS ENVIRONMENTAL PROTECTION AGENCY'S ILLINOIS URBAN MANUAL, 1995. PROCEDURES AND REQUIREMENTS SPECIFIED IN APPLICABLE SEDIMENT AND EROSION SITE PLANS OR STORM WATER MANAGEMENT PLANS APPROVED BY LOCAL OFFICIALS SHALL BE DESCRIBED OR INCORPORATED BY REFERENCE IN THE SPACE PROVIDED BELOW. REQUIREMENTS SPECIFIED IN SEDIMENT AND EROSION SITE PLANS, SITE PERMITS, STORM WATER MANAGEMENT SITE PLANS OR SITE PERMITS APPROVED BY LOCAL OFFICIALS THAT ARE APPLICABLE TO PROTECTING SURFACE WATER RESOURCES ARE, UPON SUBMITTAL OF AN NOI, TO BE AUTHORIZED TO DISCHARGE UNDER PERMIT ILR10 INCORPORATED BY REFERENCE AND ARE ENFORCEABLE UNDER THIS PERMIT EVEN IF THEY ARE NOT SPECIFICALLY INCLUDED IN THE PLAN.

DESCRIPTION OF PROCEDURES AND REQUIREMENTS SPECIFIED IN APPLICABLE SEDIMENT AND EROSION SITE PLANS OR STORM WATER MANAGEMENT PLANS APPROVED BY LOCAL OFFICIALS:

ALL MANAGEMENT PRACTICES, CONTROLS, AND OTHER PROVISIONS PROVIDED IN THIS PLAN ARE IN ACCORDANCE WITH "IDOT STANDARD SPECIFICATION FOR ROAD AND BRIDGE CONSTRUCTION AND THE ILLINOIS URBAN MANUAL".

III. MAINTENANCE:

THE FOLLOWING IS A DESCRIPTION OF PROCEDURES THAT WILL BE USED TO MAINTAIN, IN GOOD AND EFFECTIVE OPERATING CONDITIONS, THE VEGETATION, EROSION AND SEDIMENT CONTROL MEASURES AND OTHER PROTECTIVE MEASURES IDENTIFIED IN THIS PLAN.

1. MULCH - ANY AREAS THAT FAIL WILL BE REPAIRED IMMEDIATELY.

2. INLET AND PIPE PROTECTION - ANY INLET THAT WILL CARRY WATER AWAY FROM THE PROJECT LIMITS WILL BE PROTECTED.

THE RESIDENT ENGINEER WILL PROVIDE MAINTENANCE GUIDES TO THE CONTRACTOR FOR THESE PRACTICES. ALL MAINTENANCE OF EROSION CONTROL SYSTEMS WILL BE THE RESPONSIBILITY OF THE CONTRACTOR UNTIL CONSTRUCTION IS COMPLETE AND ACCEPTED BY IDOT AFTER FINAL INSPECTION. ALL LOCATIONS WHERE VEHICLES ENTER AND EXIT THE CONSTRUCTION SITE AND ALL OTHER AREAS SUBJECT TO EROSION SHOULD ALSO BE INSPECTED PERIODICALLY.

INSPECTION OF THESE AREAS SHALL BE MADE AT LEAST ONCE EVERY SEVEN DAYS AND WITHIN 24 HOURS OF THE END OF EACH 0.5 INCHES OR GREATER RAINFALL, OR AN EQUIVALENT SNOWFALL. THE PROJECT SHALL ADDITIONALLY BE INSPECTED BY THE CONSTRUCTION FIELD ENGINEER ON A BI-WEEKLY BASIS TO DETERMINE THAT EROSION CONTROL EFFORTS ARE IN PLACE AND EFFECTIVE AND IF OTHER EROSION CONTROL WORK IS NECESSARY.

THE TEMPORARY EROSION CONTROL SYSTEMS SHALL BE REMOVED AS DIRECTED BY THE ENGINEER AFTER USE IS NO LONGER NEEDED. THE COST OF THIS REMOVAL SHALL BE INCLUDED IN THE UNIT BID PRICE FOR THE TEMPORARY EROSION CONTROL SYSTEM.

IV. INSPECTIONS

QUALIFIED PERSONNEL SHALL INSPECT DISTURBED AREAS OF THE CONSTRUCTION SITE WHICH HAVE NOT YET BEEN FINALLY STABILIZED, STRUCTURAL CONTROL MEASURES, AND LOCATIONS WHERE VEHICLES AND EQUIPMENT ENTER AND EXIT THE SITE. SUCH INSPECTIONS SHALL BE CONDUCTED AT LEAST ONCE EVERY SEVEN (7) CALENDAR DAYS AND WITHIN 24 HOURS OF THE END OF A STORM THAT IS 0.5 INCHES OR GREATER OR EQUIVALENT SNOWFALL.

A. DISTURBED AREAS, USE AREAS (STORAGE OF MATERIALS, STOCKPILES, MACHINE MAINTENANCE FUELING, ETC.), BORROW SITES, AND WASTE SITES SHALL BE INSPECTED FOR EVIDENCE OF, OR THE POTENTIAL FOR, POLLUTANTS ENTERING THE DRAINAGE SYSTEM. EROSION AND SEDIMENT CONTROL MEASURES IDENTIFIED IN THE PLAN SHALL BE OBSERVED TO ENSURE THAT THEY ARE OPERATING CORRECTLY. DISCHARGE LOCATIONS OR POINTS THAT ARE ACCESSIBLE, SHALL BE INSPECTED TO ASCERTAIN WHETHER EROSION CONTROL MEASURES ARE EFFECTIVE IN PREVENTING SIGNIFICANT IMPACTS TO RECEIVING WATERS. LOCATIONS WHERE VEHICLES ENTER OR EXIT THE SITE SHALL BE INSPECTED FOR EVIDENCE OF OFF SITE SEDIMENT TRACKING.

B. BASED ON THE RESULTS OF THE INSPECTION, THE DESCRIPTION OF POTENTIAL POLLUTANT SOURCES IDENTIFIED IN SECTION I ABOVE AND POLLUTION PREVENTION MEASURES IDENTIFIED IN SECTION II ABOVE SHALL BE REVISED AS APPROPRIATE AS SOON AS PRACTICABLE AFTER SUCH INSPECTION. ANY CHANGES TO THIS PLAN RESULTING FROM THE REQUIRED INSPECTIONS SHALL BE IMPLEMENTED WITHIN 1/2 HOUR TO 1 WEEK BASED ON THE URGENCY OF THE SITUATION. THE RESIDENT ENGINEER WILL NOTIFY THE CONTRACTOR OF THE TIME REQUIRED TO IMPLEMENT SUCH ACTIONS THROUGH THE WEEKLY INSPECTION REPORT.

C. A REPORT SUMMARIZING THE SCOPE OF THE INSPECTION, NAME(S) AND QUALIFICATIONS OF PERSONNEL MAKING THE INSPECTION, THE DATE(S) OF THE INSPECTION, MAJOR OBSERVATIONS RELATING TO THE IMPLEMENTATION OF THIS STORM WATER POLLUTION PREVENTION PLAN, AND ACTIONS TAKEN IN ACCORDANCE WITH SECTION IV(B) SHALL BE MADE AND RETAINED AS PART OF THE PLAN FOR AT LEAST THREE (3) YEARS AFTER THE DATE OF THE INSPECTION. THE REPORT SHALL BE SIGNED IN ACCORDANCE WITH PART VI. G OF THE GENERAL PERMIT.

D. IF ANY VIOLATION OF THE PROVISIONS OF THIS PLAN IS IDENTIFIED DURING THE CONDUCT OF THE CONSTRUCTION WORK COVERED BY THIS PLAN, THE RESIDENT ENGINEER SHALL COMPLETE AND FILE AN "INCIDENCE OF NONCOMPLIANCE" (ION) REPORT FOR THE IDENTIFIED VIOLATION. THE RESIDENT ENGINEER SHALL USE FORMS PROVIDED BY THE ILLINOIS ENVIRONMENTAL PROTECTION AGENCY AND SHALL INCLUDE SPECIFIC INFORMATION ON THE CAUSE OF NONCOMPLIANCE, ACTIONS WHICH WERE TAKEN TO PREVENT ANY FURTHER CAUSES OF NONCOMPLIANCE, AND A STATEMENT DETAILING ANY ENVIRONMENTAL IMPACT WHICH MAY HAVE RESULTED FROM THE NONCOMPLIANCE. ALL REPORTS OF NONCOMPLIANCE SHALL BE SIGNED BY A RESPONSIBLE AUTHORITY IN ACCORDANCE WITH PART VI. G OF THE GENERAL PERMIT. THE INCIDENCE OF NONCOMPLIANCE SHALL BE MAILED TO THE FOLLOWING ADDRESS:

ILLINOIS ENVIRONMENTAL PROTECTION AGENCY
DIVISION OF WATER POLLUTION CONTROL
ATTN: COMPLIANCE ASSURANCE SECTION
1021 NORTH GRAND EAST
POST OFFICE BOX 19276
SPRINGFIELD, ILLINOIS 62794-9276

V. NON-STORM WATER DISCHARGES:

EXCEPT FOR FLOWS FROM FIRE FIGHTING ACTIVITIES, SOURCES OF NON-STORM WATER THAT IS COMBINED WITH STORM WATER DISCHARGES ASSOCIATED WITH THE INDUSTRIAL ACTIVITY ADDRESSED IN THIS PLAN MUST BE DESCRIBED BELOW. APPROPRIATE POLLUTION PREVENTION MEASURES, AS DESCRIBED BELOW, WILL BE IMPLEMENTED FOR THE NON-STORM WATER COMPONENT(S) OF THE DISCHARGE.

A. SPILL PREVENTION AND CONTROL - BMPs SHALL BE IMPLEMENTED TO CONTAIN AND CLEAN-UP SPILLS AND PREVENT MATERIAL DISCHARGES TO THE STORM DRAIN SYSTEM. THE CONTRACTOR SHALL PRODUCE A WRITTEN PLAN STATING HOW HIS/HER COMPANY WILL PREVENT, REPORT, AND CLEAN UP SPILLS AND PROVIDE A COPY TO ALL OF HIS/HER EMPLOYEES AND THE RESIDENT ENGINEER. THE CONTRACTOR SHALL NOTIFY ALL OF HIS/HER EMPLOYEES ON THE PROPER PROTOCOL FOR REPORTING SPILLS. THE CONTRACTOR SHALL NOTIFY THE RESIDENT ENGINEER OF ANY SPILLS IMMEDIATELY.

B. CONCRETE RESIDUALS AND WASHOUT WASTES - THE FOLLOWING BMPs SHALL BE IMPLEMENTED TO CONTROL RESIDUAL CONCRETE, CONCRETE SEDIMENTS, AND RINSE WATER:

1. TEMPORARY CONCRETE WASHOUT FACILITIES SHALL BE CONSTRUCTED FOR RINSING OUT CONCRETE TRUCKS. SIGNS SHALL BE INSTALLED DIRECTING CONCRETE TRUCK DRIVERS WHERE DESIGNATED WASHOUT FACILITIES ARE LOCATED.
2. THE CONTRACTOR SHALL HAVE THE LOCATION OF TEMPORARY CONCRETE WASHOUT FACILITIES APPROVED BY THE RESIDENT ENGINEER.
3. ALL TEMPORARY CONCRETE WASHOUT FACILITIES ARE TO BE INSPECTED BY THE CONTRACTOR AFTER EACH USE AND ALL SPILLS MUST BE REPORTED TO THE RESIDENT ENGINEER AND CLEANED UP IMMEDIATELY.
4. CONCRETE WASTE SOLIDS/LIQUIDS SHALL BE DISPOSED OF PROPERLY.

C. LITTER MANAGEMENT - A PROPER NUMBER OF DUMPSTERS SHALL BE PROVIDED ON SITE TO HANDLE DEBRIS AND LITTER ASSOCIATED WITH THE PROJECT. THE CONTRACTOR IS RESPONSIBLE FOR ENSURING HIS/HER EMPLOYEES PLACE ALL LITTER INCLUDING MARKING PAINT CANS, SODA CANS, FOOD WRAPPERS, WOOD LATHE, MARKING RIBBON, CONSTRUCTION STRING, AND ALL OTHER CONSTRUCTION RELATED LITTER IN THE PROPER DUMPSTERS.

D. VEHICLE AND EQUIPMENT CLEANING - VEHICLES AND EQUIPMENT ARE TO BE CLEANED IN DESIGNATED AREAS ONLY, PREFERABLY OFF SITE.

E. VEHICLE AND EQUIPMENT FUELING - A VARIETY OF BMPs CAN BE IMPLEMENTED DURING FUELING OF VEHICLES AND EQUIPMENT TO PREVENT POLLUTION. THE CONTRACTOR SHALL INFORM THE RESIDENT ENGINEER AS TO WHICH BMPs WILL BE USED ON THE PROJECT. THE CONTRACTOR SHALL INFORM THE RESIDENT ENGINEER HOW (SHE WILL BE INFORMING HIS/HER EMPLOYEES OF THESE BMPs (I.E. SIGNS, TRAINING, ETC.). BELOW ARE A FEW EXAMPLES OF THESE BMPs:


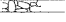

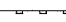

1. CONTAINMENT
2. SPILL PREVENTION AND CONTROL
3. USE OF DRIP PANS AND ABSORBENTS
4. AUTOMATIC SHUT-OFF NOZZLES
5. TOPPING OFF RESTRICTIONS
6. LEAK INSPECTION AND REPAIR

F. VEHICLE AND EQUIPMENT MAINTENANCE - ON SITE MAINTENANCE MUST BE PERFORMED IN ACCORDANCE WITH ALL ENVIRONMENTAL LAWS SUCH AS PROPER STORAGE AND NO DUMPING OF OLD ENGINE OIL OR OTHER FLUIDS ON SITE.

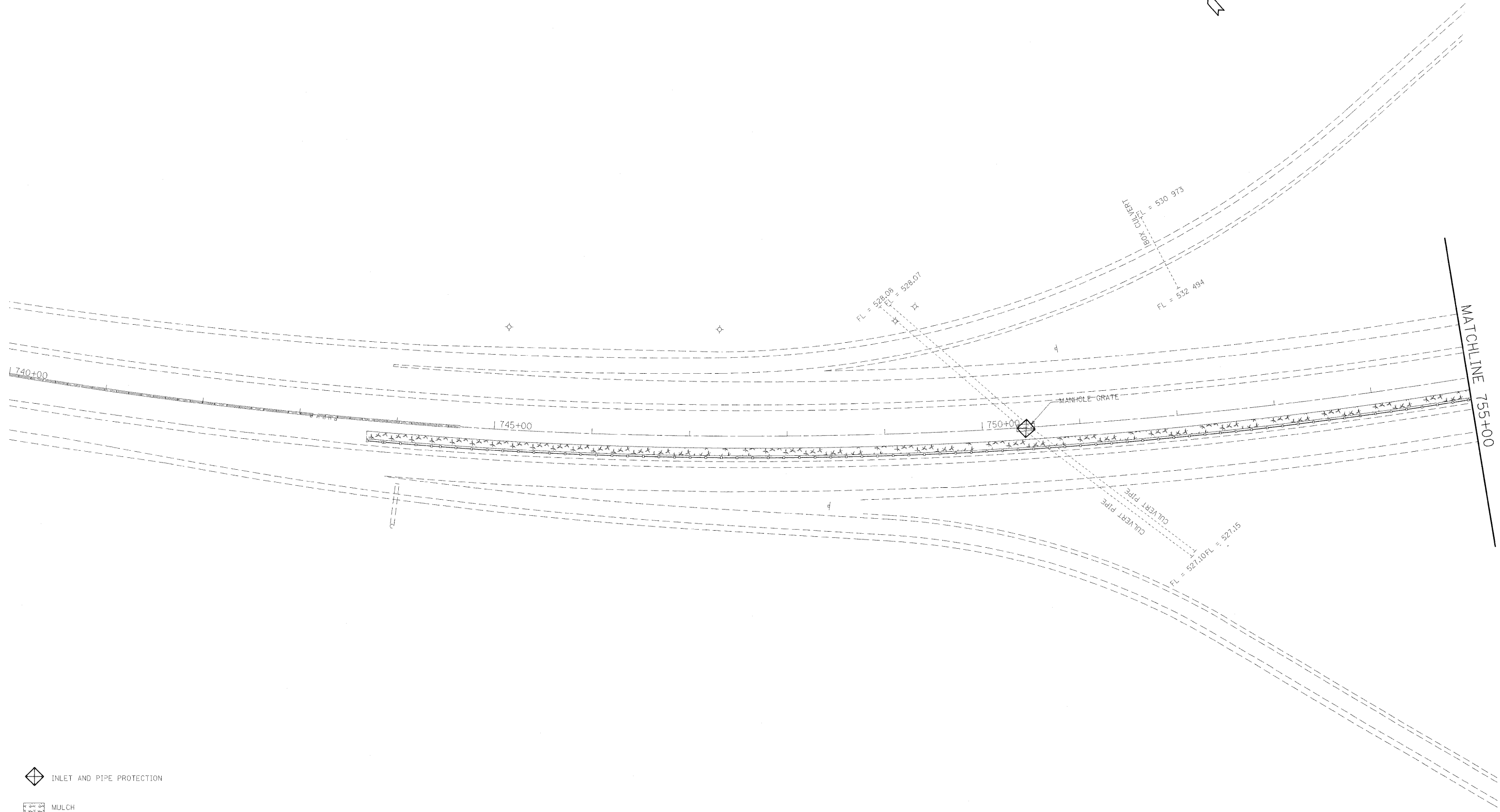
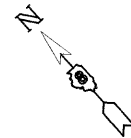
VI. FAILURE TO COMPLY:

FAILURE TO COMPLY WITH ANY PROVISIONS OF THIS STORM WATER POLLUTION PREVENTION PLAN WILL RESULT IN THE IMPLEMENTATION OF AN EROSION AND SEDIMENT CONTROL DEFICIENCY DEDUCTION AGAINST THE CONTRACTOR AND/OR PENALTIES UNDER THE NPDES PERMIT WHICH COULD BE PASSED ONTO THE CONTRACTOR.

LEGEND

-  TEMPORARY DITCH CHECK- ROLLED EXCELSIOR, SILT WEDGES/PANELS
-  TEMPORARY DITCH CHECK- AGGREGATE
-  EROSION CONTROL BLANKET
-  PERIMETER EROSION BARRIER- SILT FILTER FENCE OR OTHER AS APPROVED BY THE ENGINEER
-  INLET AND PIPE PROTECTION- STRAW BALES, FILTER FABRIC, AGGREGATES

FILE NAME =	USER NAME = conoverpj	DESIGNED -	REVISED -	STATE OF ILLINOIS DEPARTMENT OF TRANSPORTATION	SWPPP PLAN	F.A.I. RTE.	SECTION	COUNTY	TOTAL SHEETS	SHEET NO.	
et:\ow\work\PIWIDOT\CONOVERPJ\dms63235\d	76e14-shr-plan.dgn	DRAWN -	REVISED -			64	82-(7,8)I	ST. CLAIR	52	32	
	PLOT SCALE = 50.0000' / IN.	CHECKED -	REVISED -			CONTRACT NO. 76C14					
	PLOT DATE = 11/26/2008	DATE -	REVISED -			FED. ROAD DIST. NO. - ILLINOIS FED. AID PROJECT					
						SCALE: _____	SHEET NO. 3 OF 3 SHEETS	STA. _____ TO STA. _____			

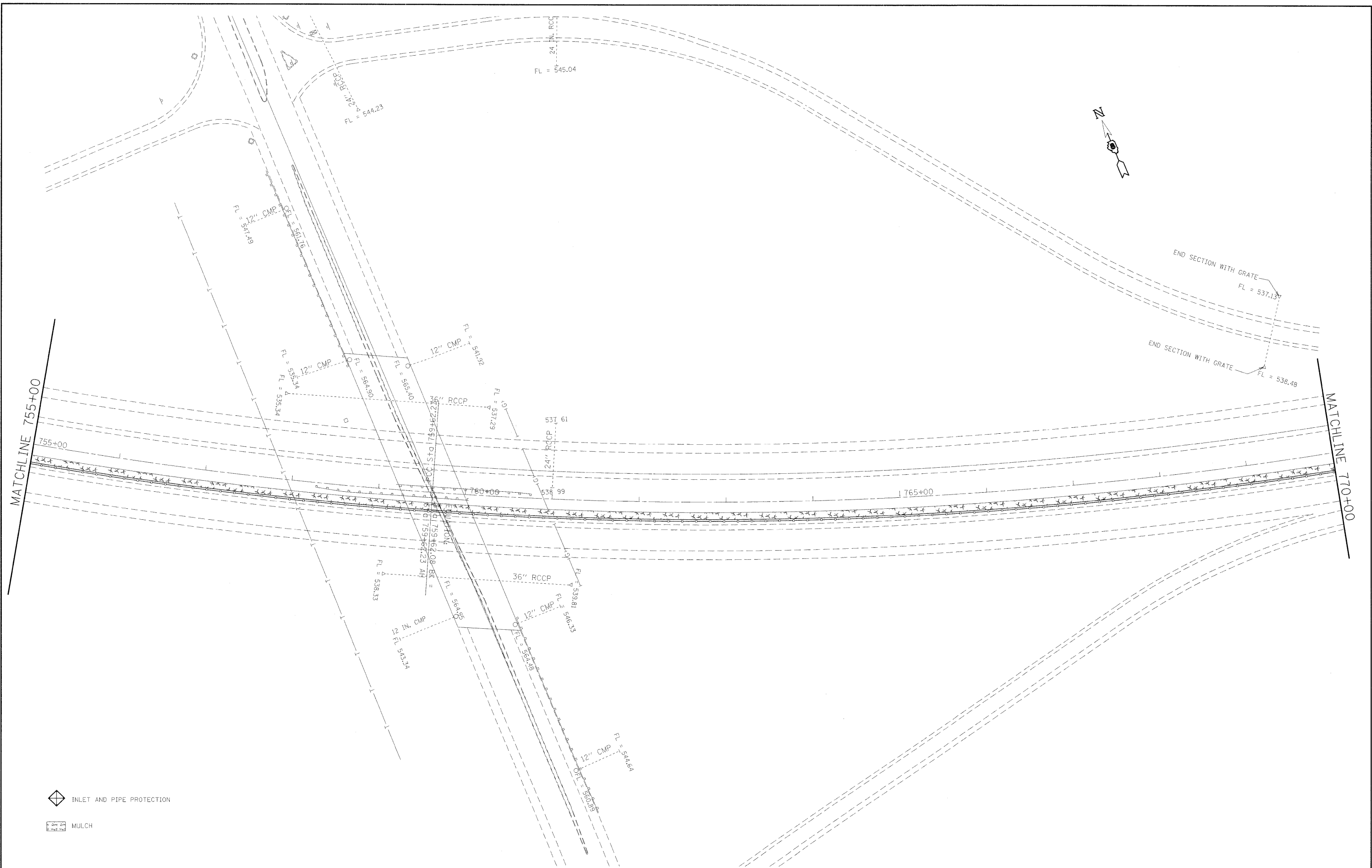


MATCHLINE 755+00

◆ INLET AND PIPE PROTECTION

⊗ MULCH

FILE NAME = c:\pwwork\pwwork\conoverpj\dms63235\0876c14-sht-eros.dgn	USER NAME = conoverpj	DESIGNED - ---	REVISED - ---	STATE OF ILLINOIS DEPARTMENT OF TRANSPORTATION	EROSION CONTROL PLAN SHEET			F.A.I RTE.	SECTION	COUNTY	TOTAL SHEETS	SHEET NO.
PLOT SCALE = 50.0000' / IN.	CHECKED - ---	REVISED - ---	REVISED - ---		SCALE: 1" = 50'	SHEET NO. 1 OF 20 SHEETS	STA. 740+00 TO STA. 755+00	64	82-(7,8)I	ST. CLAIR	52	33
PLOT DATE = 11/25/2008	DATE - ---	REVISED - ---	REVISED - ---					CONTRACT NO. 76C14				
							FED. ROAD DIST. NO. - ILLINOIS FED. AID PROJECT					



MATCHLINE 755+00

MATCHLINE 770+00

◆ INLET AND PIPE PROTECTION

⊗ MULCH

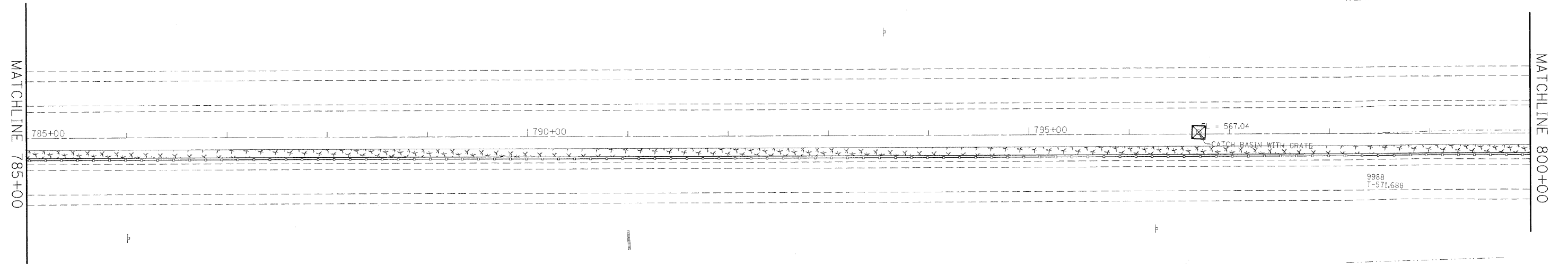
FILE NAME =	USER NAME = conoverpj	DESIGNED -	REVISD -
ci:\pw\work\p1dot\conoverpj\dms63235\0876c14-sht-eros.dgn		DRAWN -	REVISD -
PLOT SCALE = 50.0000' / IN.		CHECKED -	REVISD -
PLOT DATE = 11/26/2008		DATE -	REVISD -

STATE OF ILLINOIS
DEPARTMENT OF TRANSPORTATION

EROSION CONTROL PLAN SHEET

SCALE: 1" = 50' SHEET NO. 2 OF 20 SHEETS STA. 755+00 TO STA. 770+00

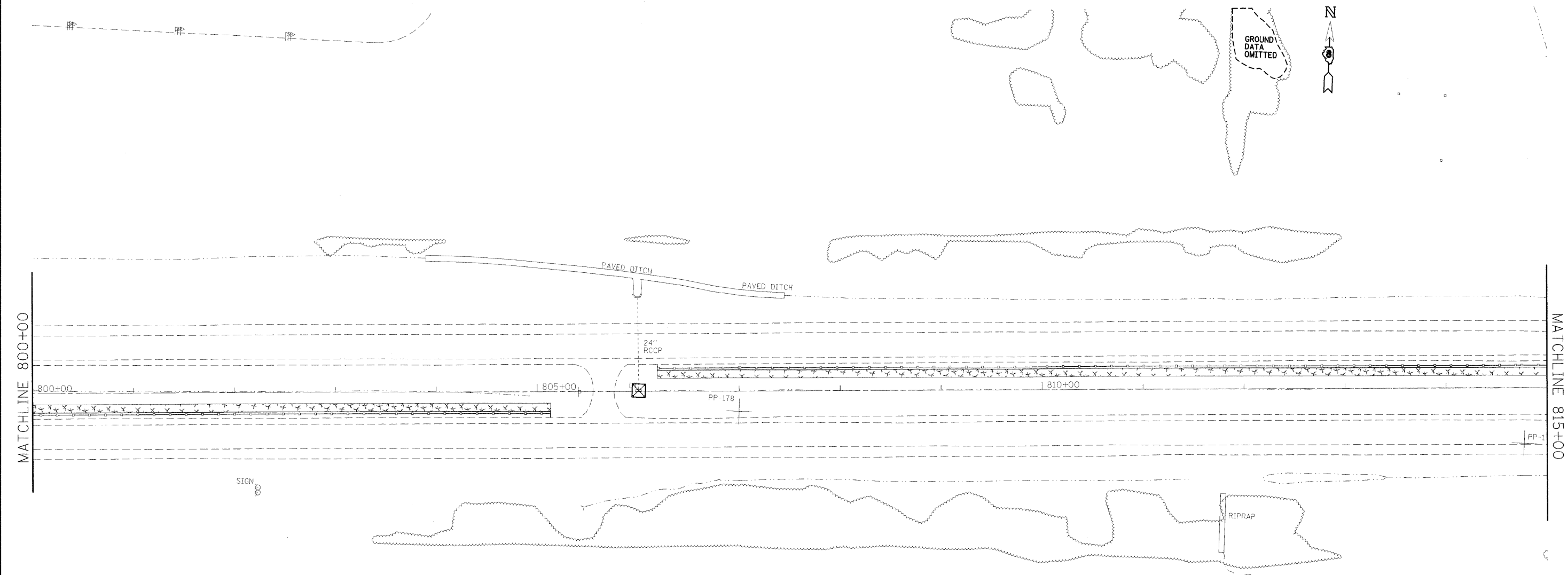
F.A.I. RTE.	SECTION	COUNTY	TOTAL SHEETS	SHEET NO.
64	82-(7,8)I	ST. CLAIR	52	34
CONTRACT NO. 76C14				
FED. ROAD DIST. NO. - ILLINOIS FED. AID PROJECT				



INLET AND PIPE PROTECTION

MULCH

FILE NAME = c:\pw_work\p\pidat\conoverpj\dms63235\d876cl4-sht-eros.dgn	USER NAME = conoverpj	DESIGNED - ---	REVISED - ---	STATE OF ILLINOIS DEPARTMENT OF TRANSPORTATION	EROSION CONTROL PLAN SHEET			F.A.I. RTE. 64	SECTION 82-(7,8)I	COUNTY ST. CLAIR	TOTAL SHEETS 52	SHEET NO. 36
	PLOT SCALE = 50.0000' / IN. PLOT DATE = 11/26/2008	DRAWN - ---	REVISED - ---		SCALE: 1" = 50'	SHEET NO. 4 OF 20 SHEETS	STA. 785+00 TO STA. 800+00	CONTRACT NO. 76C14 FED. ROAD DIST. NO. _ ILLINOIS FED. AID PROJECT				



GROUND DATA OMITTED



MATCHLINE 800+00

MATCHLINE 815+00

800+00


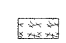
805+00

810+00

PP-1

SIGN B

RIPRAP

-  INLET AND PIPE PROTECTION
-  MULCH

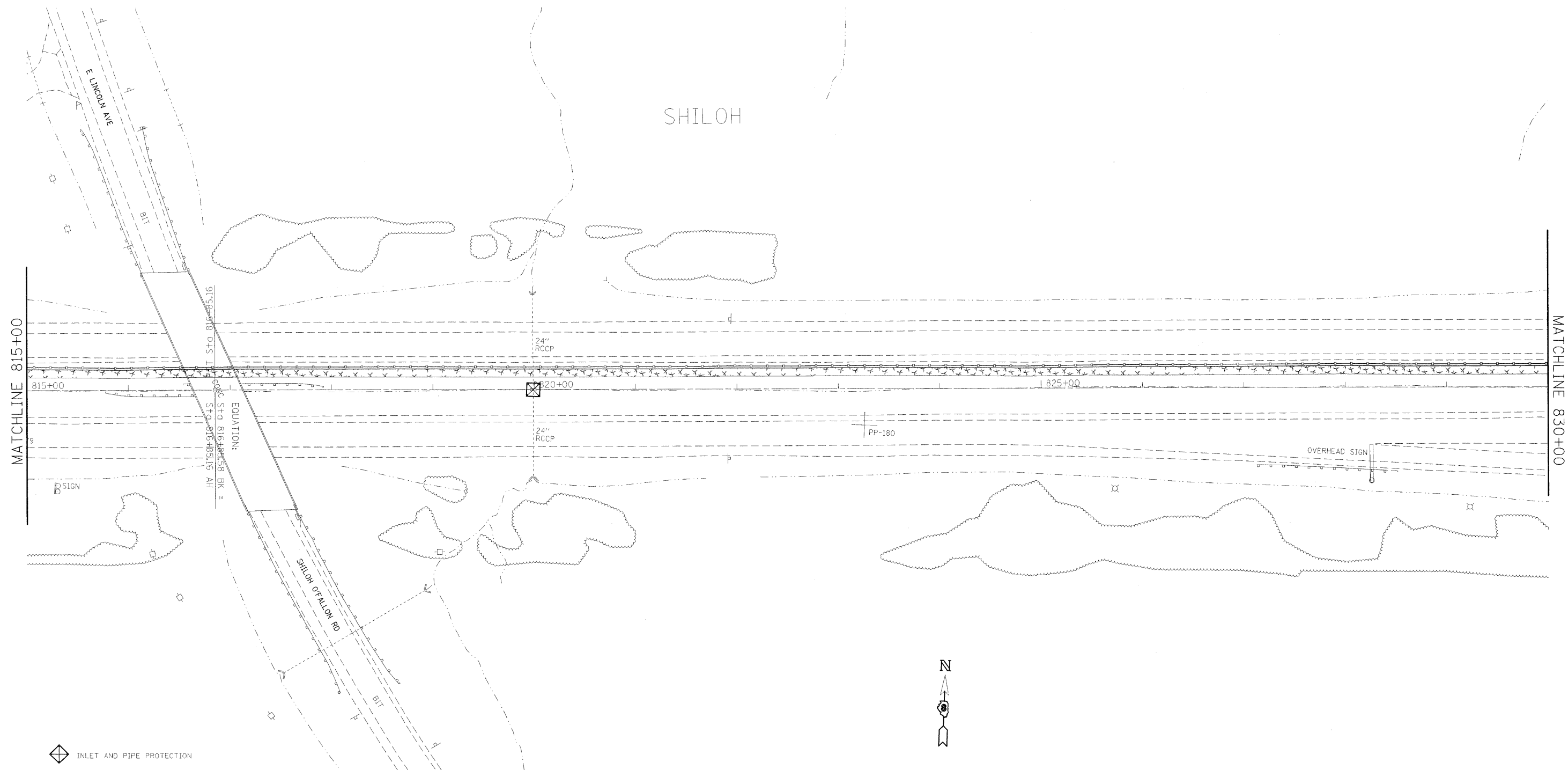
FILE NAME =	USER NAME = conoverpj	DESIGNED -	REVISED -
c:\pwork\pwidot\conoverpj\dms63235\d876c14-shr'eros.dgn		DRAWN -	REVISED -
PLOT SCALE = 50.0000 ' / IN.		CHECKED -	REVISED -
PLOT DATE = 11/26/2008		DATE -	REVISED -

STATE OF ILLINOIS
DEPARTMENT OF TRANSPORTATION

EROSION CONTROL PLAN SHEET

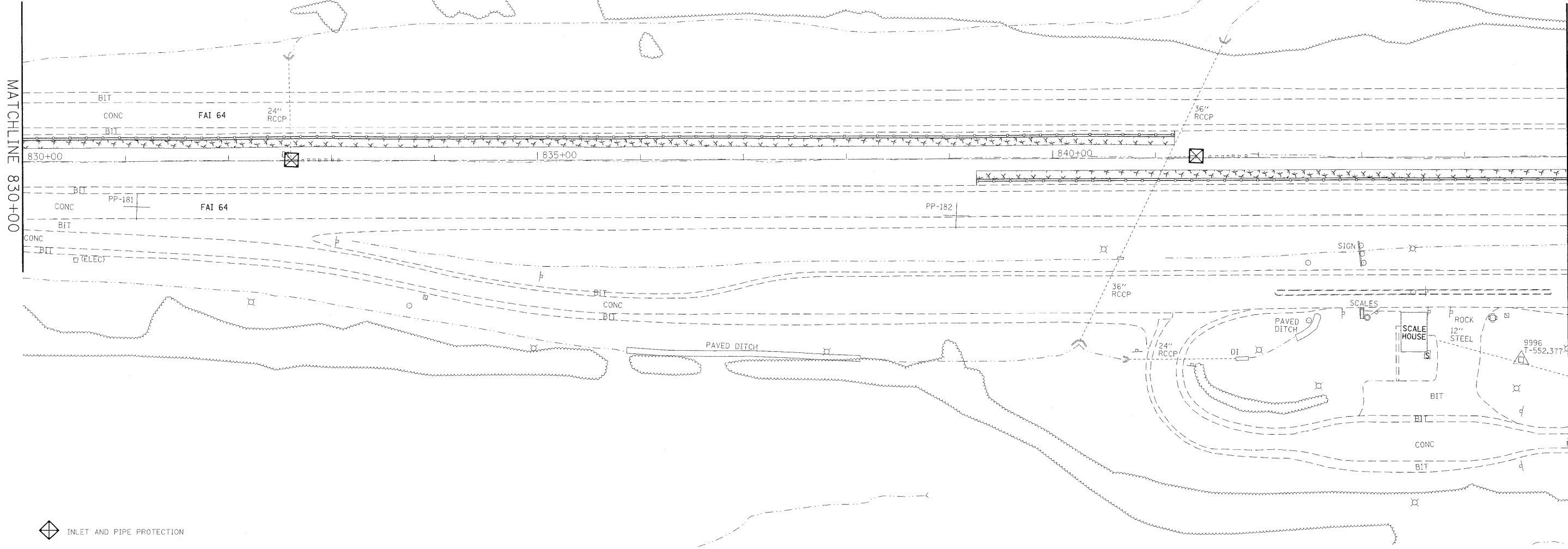
SCALE: 1" = 50' SHEET NO. 5 OF 20 SHEETS STA. 800+00 TO STA. 815+00

F.A.I. RTE.	SECTION	COUNTY	TOTAL SHEETS	SHEET NO.
64	82-(7,8)I	ST. CLAIR	52	37
CONTRACT NO. 76C14				
FED. ROAD DIST. NO. _ ILLINOIS FED. AID PROJECT				



FILE NAME =	USER NAME = conoverpj	DESIGNED -	REVISED -	STATE OF ILLINOIS DEPARTMENT OF TRANSPORTATION	EROSION CONTROL PLAN SHEET	F.A.I. RTE.	SECTION	COUNTY	TOTAL SHEETS	SHEET NO.	
c:\pw\work\pwidat\conoverpj\dms63235\0876c14-sht-eros.dgn		DRAWN -	REVISED -			64	82-(7,8)I	ST. CLAIR	52	38	
PLOT SCALE = 50.0000' / IN.		CHECKED -	REVISED -			CONTRACT NO. 76C14					
PLOT DATE = 11/26/2008		DATE -	REVISED -			FED. ROAD DIST. NO. - ILLINOIS FED. AID PROJECT					
				SCALE: 1" = 50'		SHEET NO. 6 OF 20 SHEETS		STA. 815+00 TO STA. 830+00			

SHILOH



MATCHLINE 830+00

MATCHLINE 845+00

INLET AND PIPE PROTECTION

MULCH

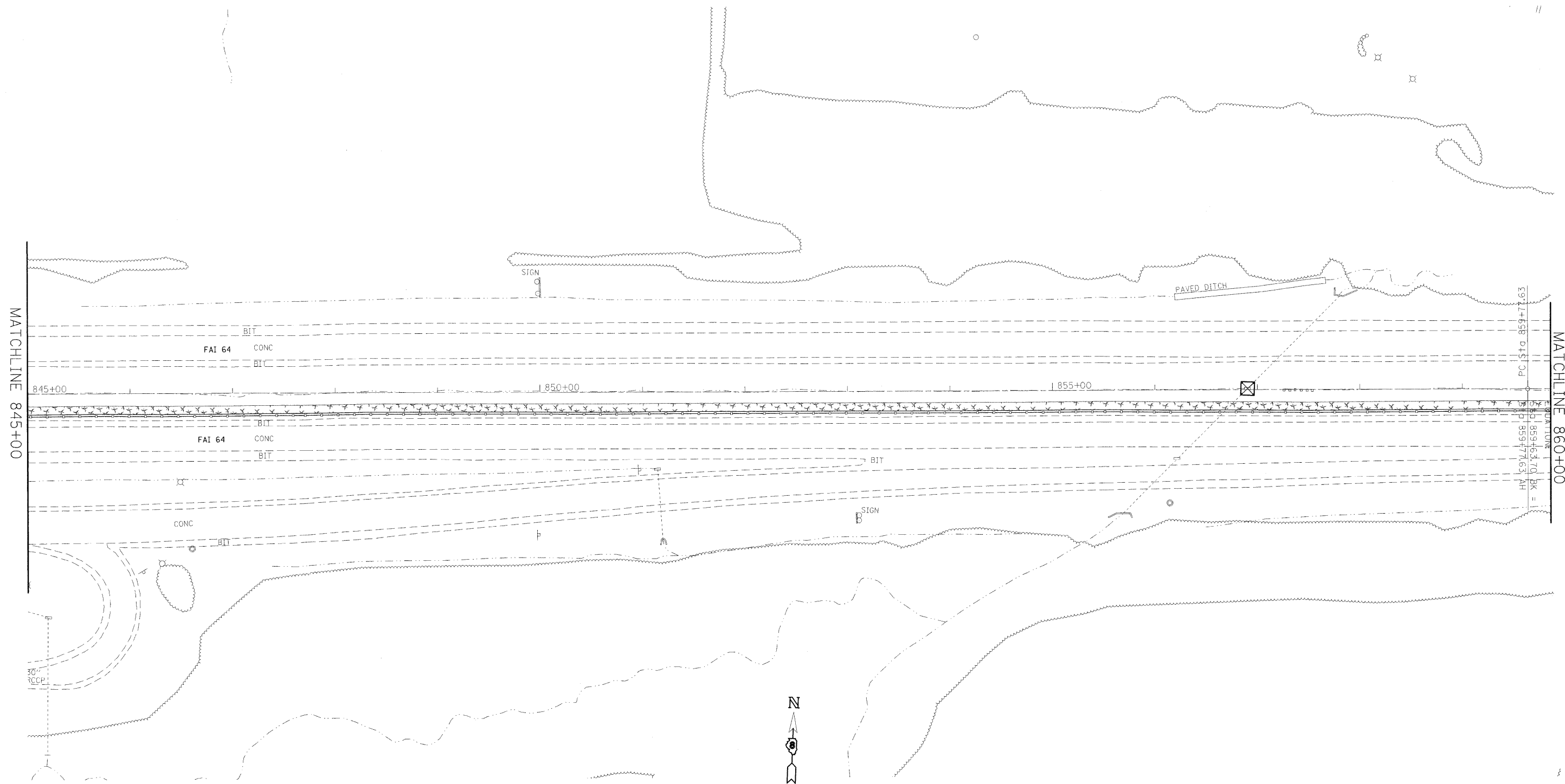
FILE NAME =	USER NAME = csnoverp.j
ci:\pw\work\p\wdot\conoverp.j\dms63235\0876\14-sh-t-eros.dgn	
PLOT SCALE = 50.0000' / IN.	
PLOT DATE = 11/26/2008	

DESIGNED -	---	REVISED -	---
DRAWN -	---	REVISED -	---
CHECKED -	---	REVISED -	---
DATE -	---	REVISED -	---

STATE OF ILLINOIS
DEPARTMENT OF TRANSPORTATION

EROSION CONTROL PLAN SHEET		
SCALE: 1" = 50'	SHEET NO. 7 OF 20 SHEETS	STA. 830+00 TO STA. 845+00

F.A.I. RTE.	SECTION	COUNTY	TOTAL SHEETS	SHEET NO.
64	82-(7,8)I	ST. CLAIR	52	39
CONTRACT NO. 76C14				
FED. ROAD DIST. NO. - ILLINOIS FED. AID PROJECT				



MATCHLINE 845+00

MATCHLINE 860+00

◆ INLET AND PIPE PROTECTION

▣ MULCH

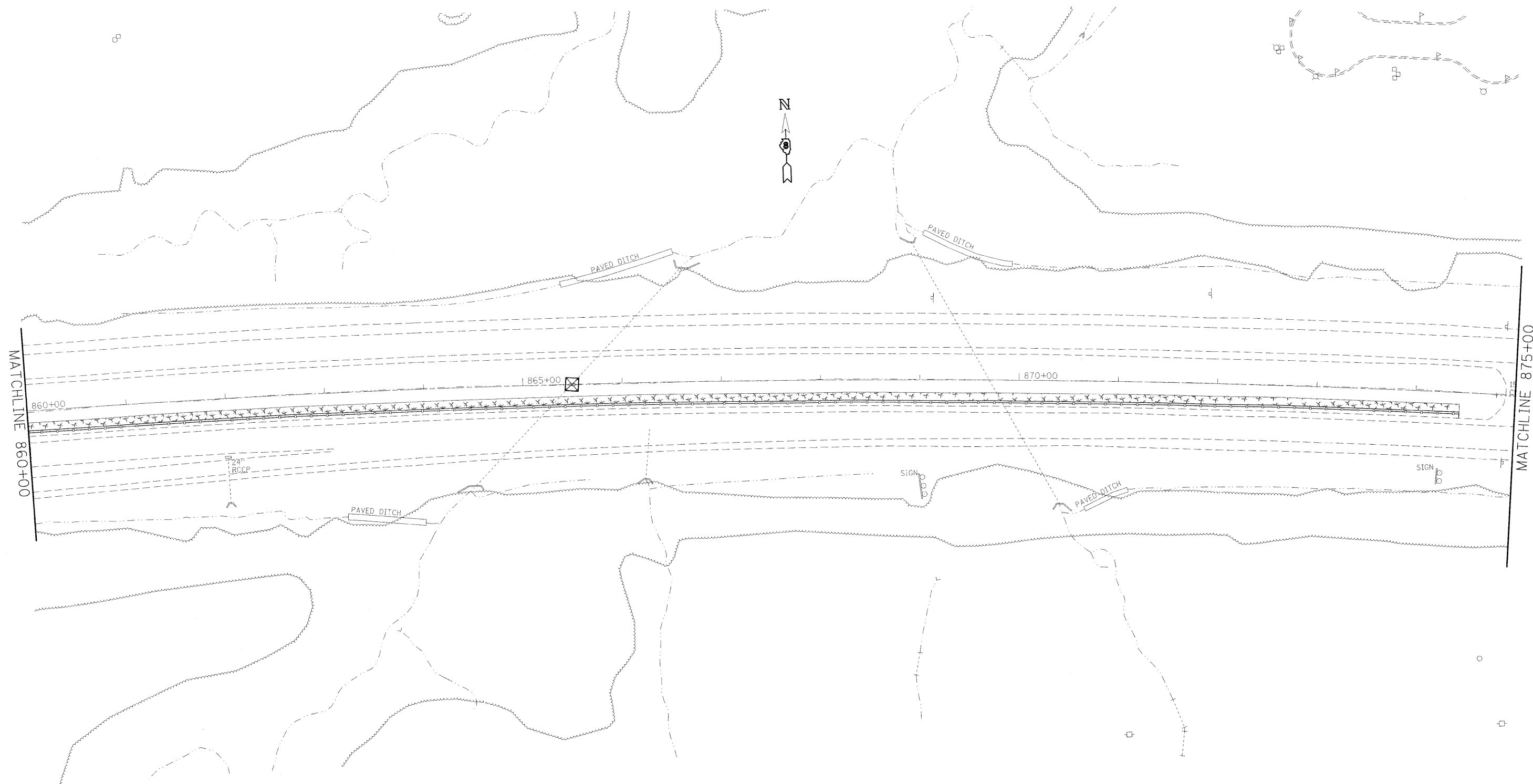
FILE NAME =	USER NAME = conoverpj	DESIGNED -	REVISED -
ct:\pw_work\p\midot\conoverpj\dms63235\4876cl4-sht-eros.dgn		DRAWN -	REVISED -
	PLOT SCALE = 50.0000' / IN.	CHECKED -	REVISED -
	PLOT DATE = 11/26/2008	DATE -	REVISED -

STATE OF ILLINOIS
DEPARTMENT OF TRANSPORTATION

EROSION CONTROL PLAN SHEET

SCALE: 1" = 50' SHEET NO. 8 OF 20 SHEETS STA. 845+00 TO STA. 860+00

F.A.I. RTE.	SECTION	COUNTY	TOTAL SHEETS	SHEET NO.
64	82-(7,8)I	ST. CLAIR	52	40
CONTRACT NO. 76C14				
FED. ROAD DIST. NO. ILLINOIS FED. AID PROJECT				



◆ INLET AND PIPE PROTECTION

▨ MULCH

FILE NAME =
 c:\pw_work\pwsdot\conoverp_j\dms63235\d876cl4-sht-eros.dgn

USER NAME = conoverp_j
 6cl4-sht-eros.dgn
 PLOT SCALE = 50.0000' / IN.
 PLOT DATE = 11/26/2008

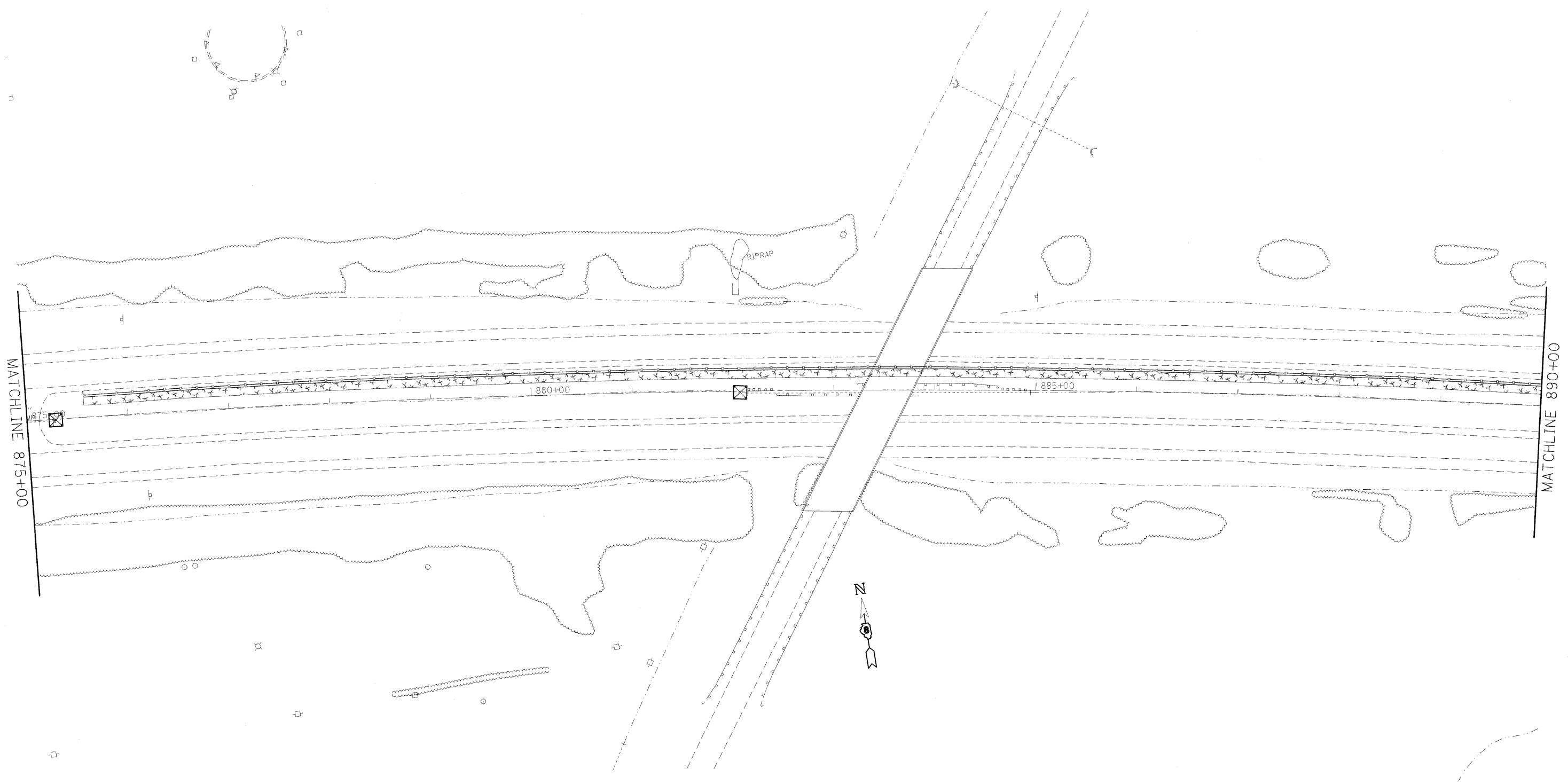
DESIGNED - ---
 DRAWN - ---
 CHECKED - ---
 DATE - ---

REVISED - ---
 REVISED - ---
 REVISED - ---
 REVISED - ---

STATE OF ILLINOIS
 DEPARTMENT OF TRANSPORTATION

EROSION CONTROL PLAN SHEET
 SCALE: 1" = 50' SHEET NO. 9 OF 20 SHEETS STA. 860+00 TO STA. 875+00

F.A.I. RTE.	SECTION	COUNTY	TOTAL SHEETS	SHEET NO.
64	82-(7,8)I	ST. CLAIR	52	41
CONTRACT NO. 76C14				
FED. ROAD DIST. NO. - ILLINOIS FED. AID PROJECT				



MATCHLINE 875+00

MATCHLINE 890+00

880+00

885+00

RIPRAP



◆ INLET AND PIPE PROTECTION

■ MULCH

FILE NAME =	USER NAME = conoverpj
ct:\pw-work\pwidot\conoverpj\dms63235\ad76a14-ah-t-eros.dgn	
PLOT SCALE = 50,0000 ' / IN.	
PLOT DATE = 11/25/2008	

DESIGNED -	---	REVISED -	---
DRAWN -	---	REVISED -	---
CHECKED -	---	REVISED -	---
DATE -	-----	REVISED -	---

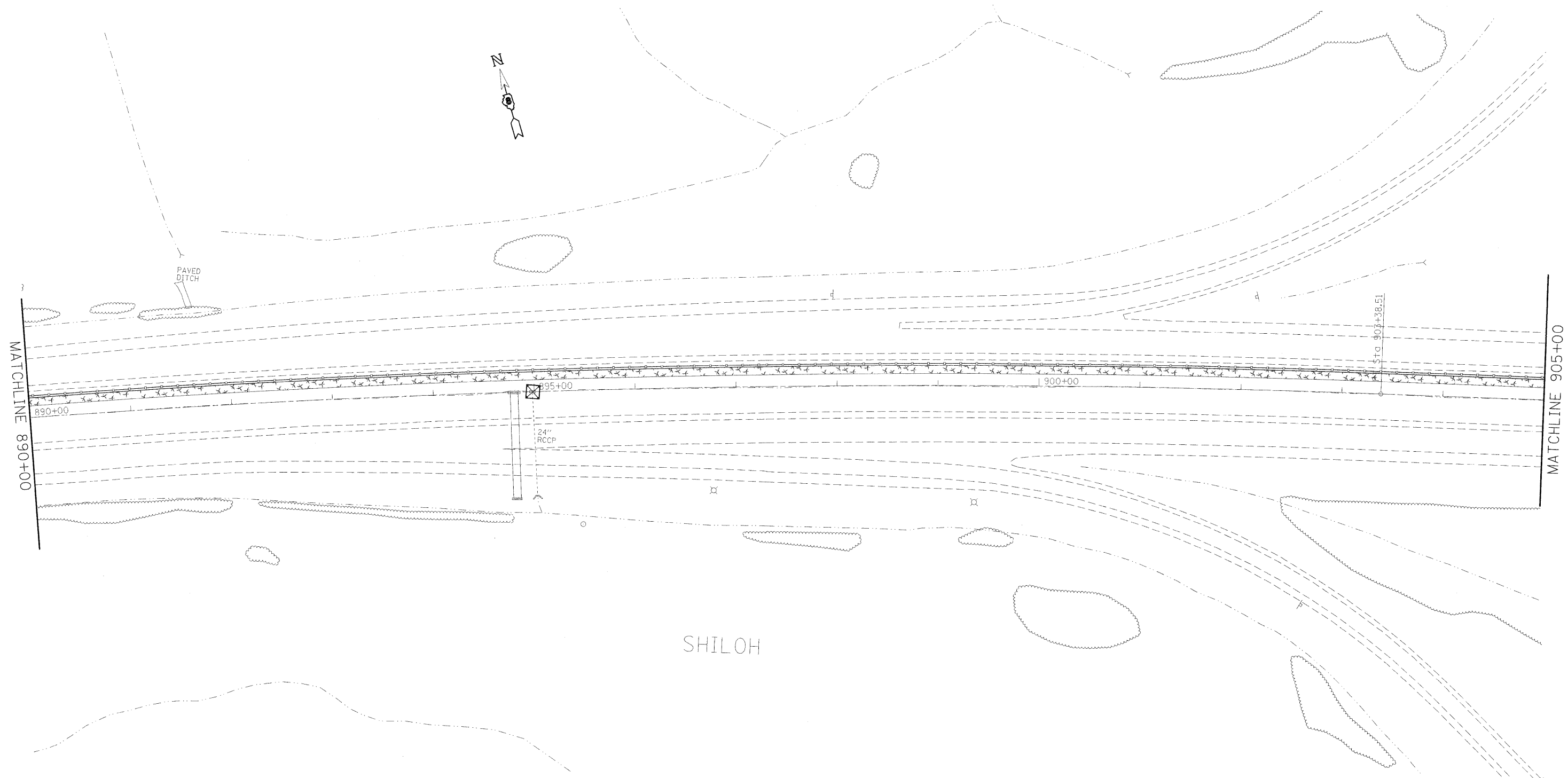
STATE OF ILLINOIS
DEPARTMENT OF TRANSPORTATION

EROSION CONTROL PLAN SHEET

SCALE: 1" = 50' SHEET NO. 10 OF 20 SHEETS STA. 875+00 TO STA. 890+00

F.A.I. RTE.	SECTION	COUNTY	TOTAL SHEETS	SHEET NO.
64	82-(7,8)I	ST. CLAIR	52	42
FED. ROAD DIST. NO. - ILLINOIS FED. AID PROJECT				

CONTRACT NO. 76C14



MATCHLINE 890+00

MATCHLINE 905+00

PAVED DITCH


895+00

900+00

Sta 903+38.51

24" RCCP

SHILOH

 INLET AND PIPE PROTECTION

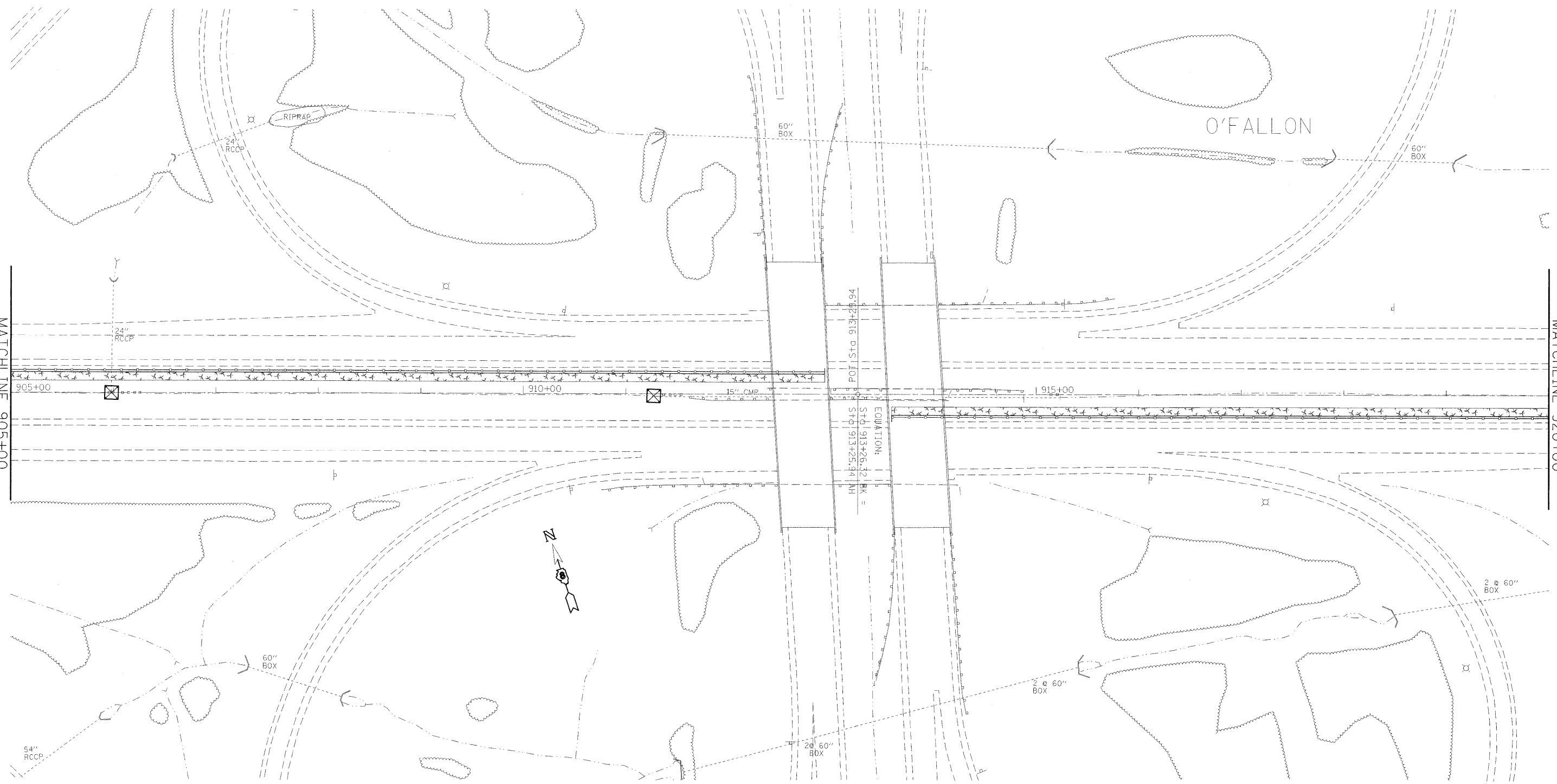
 MULCH



FILE NAME =	USER NAME = conoverpj	DESIGNED -	REVISD -
c:\pwork\pwidot\conoverpj\dms63235\d876c14-shreros.dgn		DRAWN -	REVISD -
PLOT SCALE = 50.0000 ' / IN.		CHECKED -	REVISD -
PLOT DATE = 11/26/2008		DATE -	REVISD -

STATE OF ILLINOIS
DEPARTMENT OF TRANSPORTATION

EROSION CONTROL PLAN SHEET		
SCALE: 1" = 50'	SHEET NO. 11 OF 20 SHEETS	STA. 890+00 TO STA. 905+00

F.A.I. RTE.	SECTION	COUNTY	TOTAL SHEETS	SHEET NO.
64	82-(7,8)1	ST. CLAIR	52	43
CONTRACT NO. 76C14				
FED. ROAD DIST. NO. ILLINOIS FED. AID PROJECT				



-  INLET AND PIPE PROTECTION
-  MULCH

FILE NAME =
 er\pw_work\p\dot\conoverpj\dna63235\d876cl4-sht-eros.dgn

USER NAME = conoverpj
 PLOT SCALE = 50,0000 ' / IN.
 PLOT DATE = 11/26/2008

DESIGNED - ---
 DRAWN - ---
 CHECKED - ---
 DATE - ---

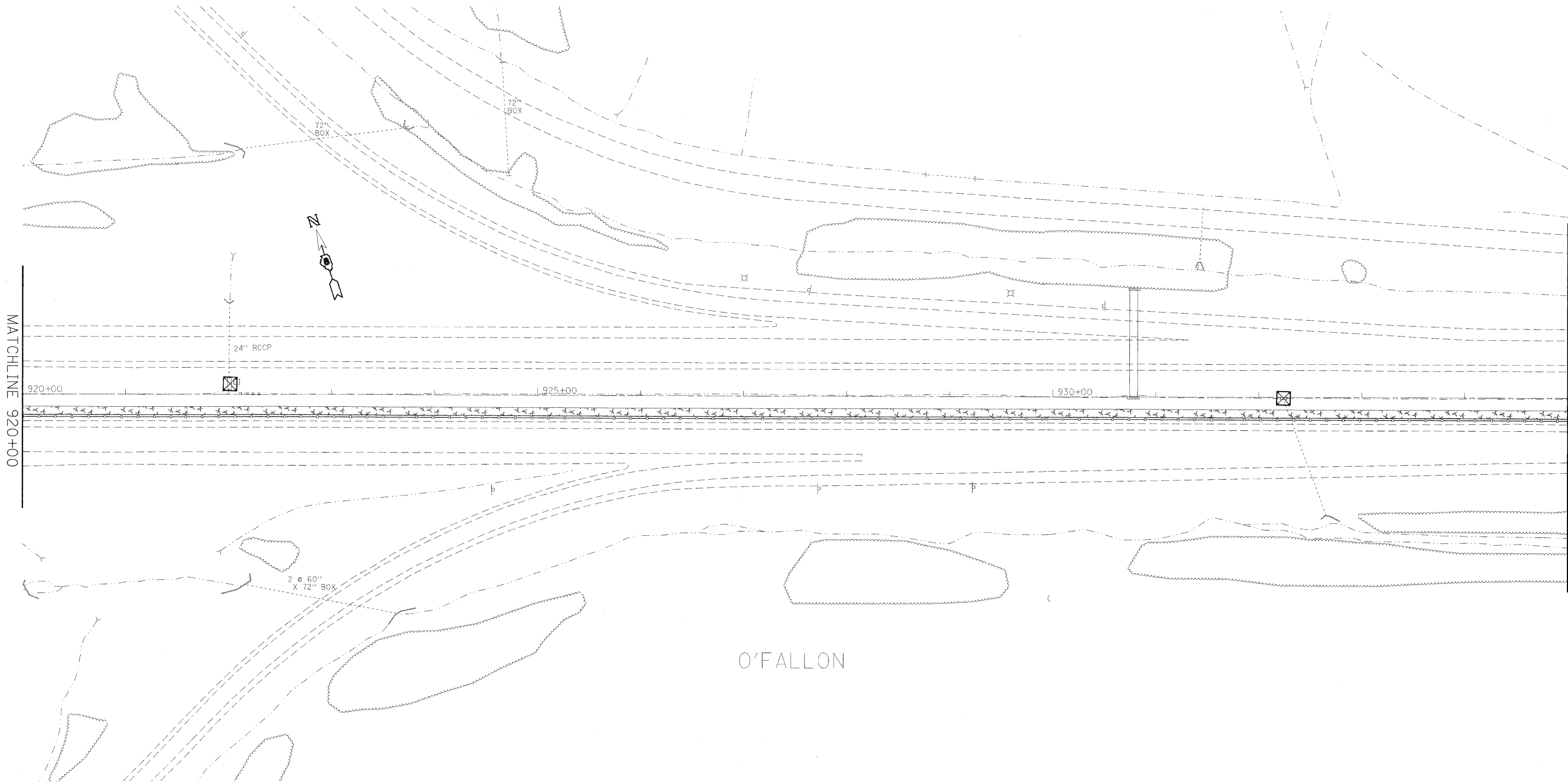
REVISED - ---
 REVISED - ---
 REVISED - ---
 REVISED - ---

STATE OF ILLINOIS
 DEPARTMENT OF TRANSPORTATION

EROSION CONTROL PLAN SHEET

SCALE: 1" = 50' SHEET NO. 12 OF 20 SHEETS STA. 905+00 TO STA. 920+00

F.A.I. RTE.	SECTION	COUNTY	TOTAL SHEETS	SHEET NO.
64	82-(7,8)	ST. CLAIR	52	44
CONTRACT NO. 76C14				
FED. ROAD DIST. NO. - ILLINOIS FED. AID PROJECT				



◆ INLET AND PIPE PROTECTION

▨ MULCH

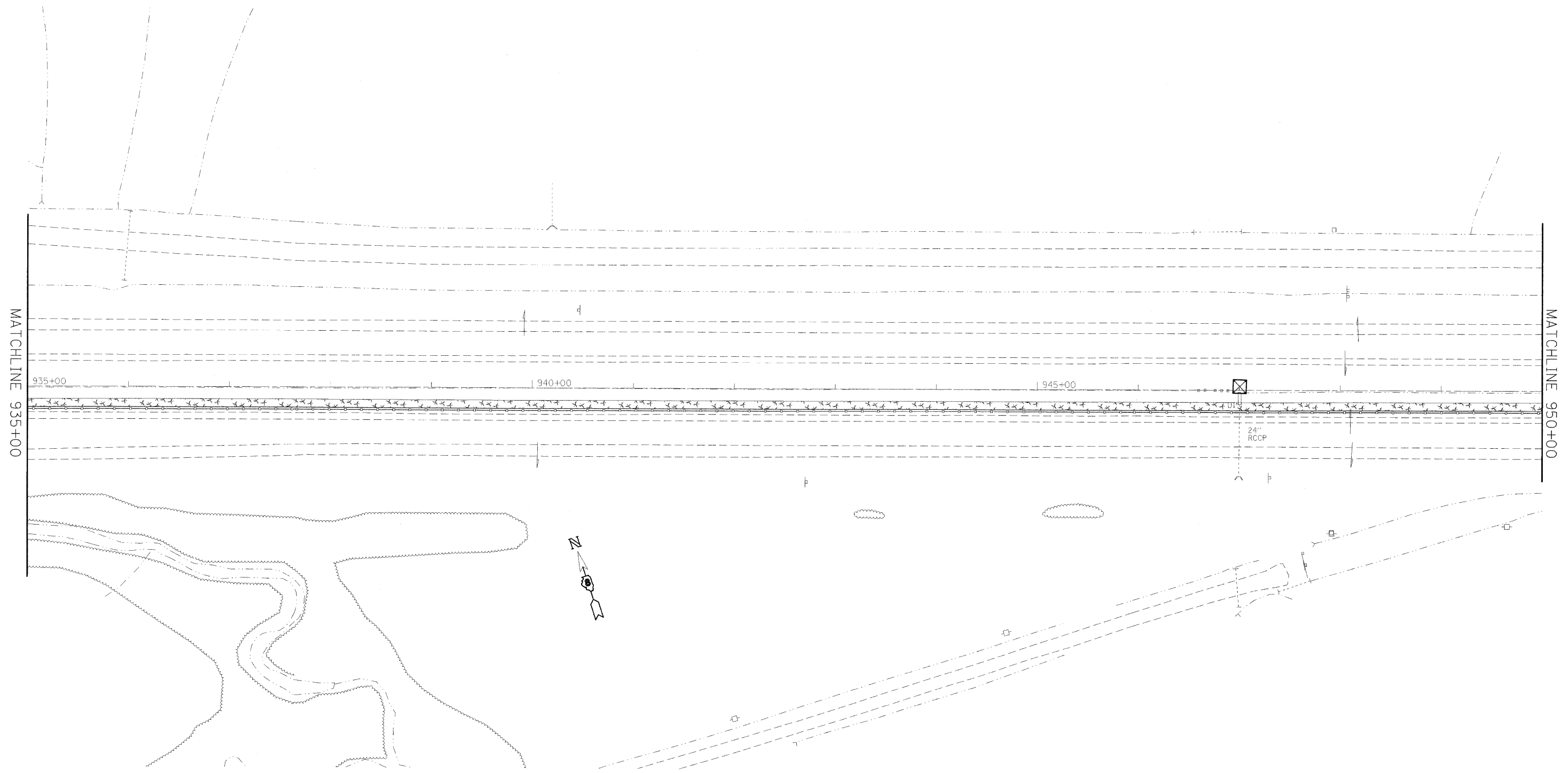
FILE NAME =	USER NAME = conoverpj	DESIGNED -	REVISED -
at\pwwork\pwwidat\conoverpj\dms63295\c876a14-sht-eros.dgn		DRAWN -	REVISED -
PLOT SCALE = 50.0000' / IN.		CHECKED -	REVISED -
PLOT DATE = 11/26/2008		DATE -	REVISED -

STATE OF ILLINOIS
DEPARTMENT OF TRANSPORTATION

EROSION CONTROL PLAN SHEET

SCALE: 1" = 50' SHEET NO. 13 OF 20 SHEETS STA. 920+00 TO STA. 935+00

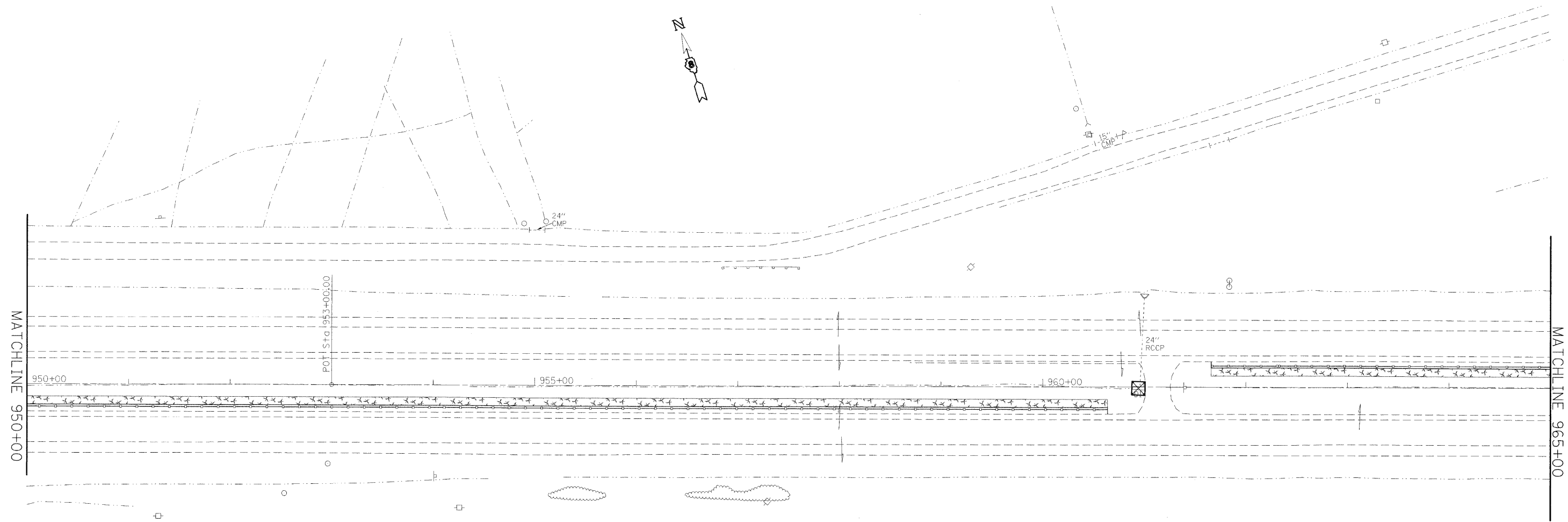
F.A.I. RTE.	SECTION	COUNTY	TOTAL SHEETS	SHEET NO.
64	82-(7,8)I	ST. CLAIR	52	45
CONTRACT NO. 76C14				
FED. ROAD DIST. NO. - ILLINOIS FED. AID PROJECT				



◆ INLET AND PIPE PROTECTION


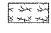
⊠ MULCH

FILE NAME = c:\pw_work\p1dot\conoverpj\dms63235\d826ol4-sht-eros.dgn	USER NAME = conoverpj	DESIGNED - ---	REVISED - ---	STATE OF ILLINOIS DEPARTMENT OF TRANSPORTATION	EROSION CONTROL PLAN SHEET			F.A.I. RTE.	SECTION	COUNTY	TOTAL SHEETS	SHEET NO.
	PLOT SCALE = 50.0000' / IN.	CHECKED - ---	REVISED - ---		64	82-(7,B)I	ST. CLAIR	52	46			
PLOT DATE = 11/28/2008	DATE - ---	REVISED - ---	SCALE: 1" = 50'		SHEET NO. 14 OF 20 SHEETS	STA. 935+00 TO STA. 950+00	CONTRACT NO. 76C14		FED. ROAD DIST. NO. - ILLINOIS FED. AID PROJECT			

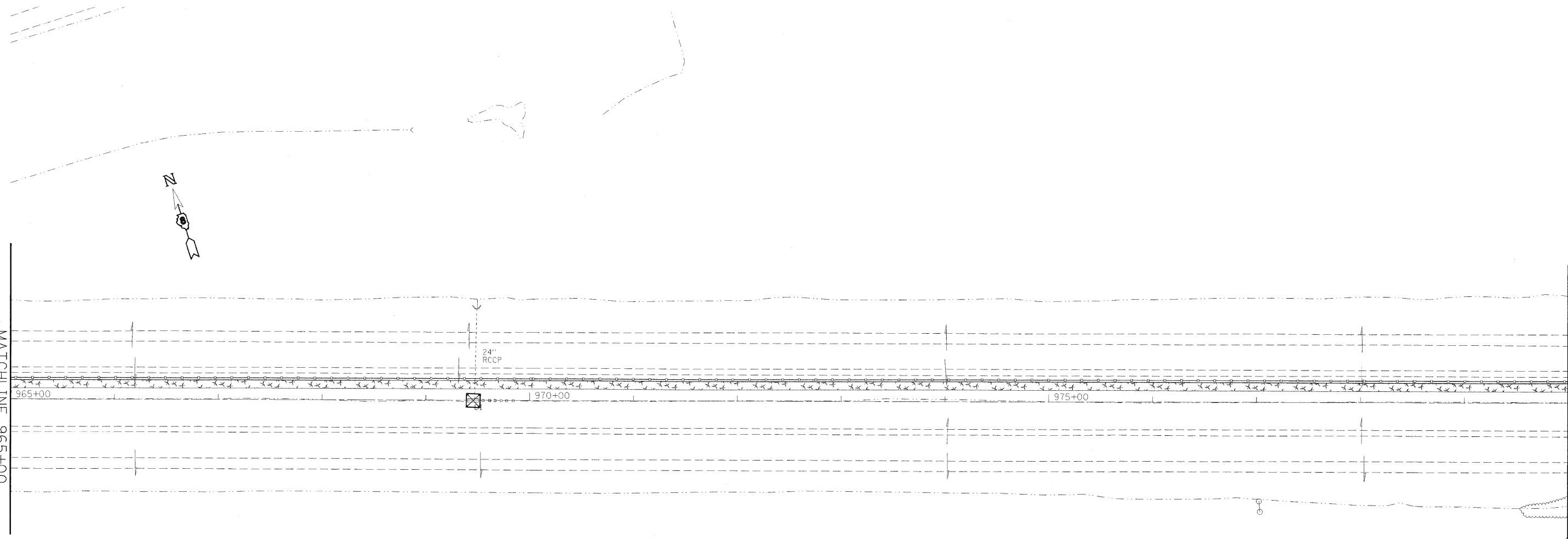




MATCHLINE 950+00

MATCHLINE 965+00

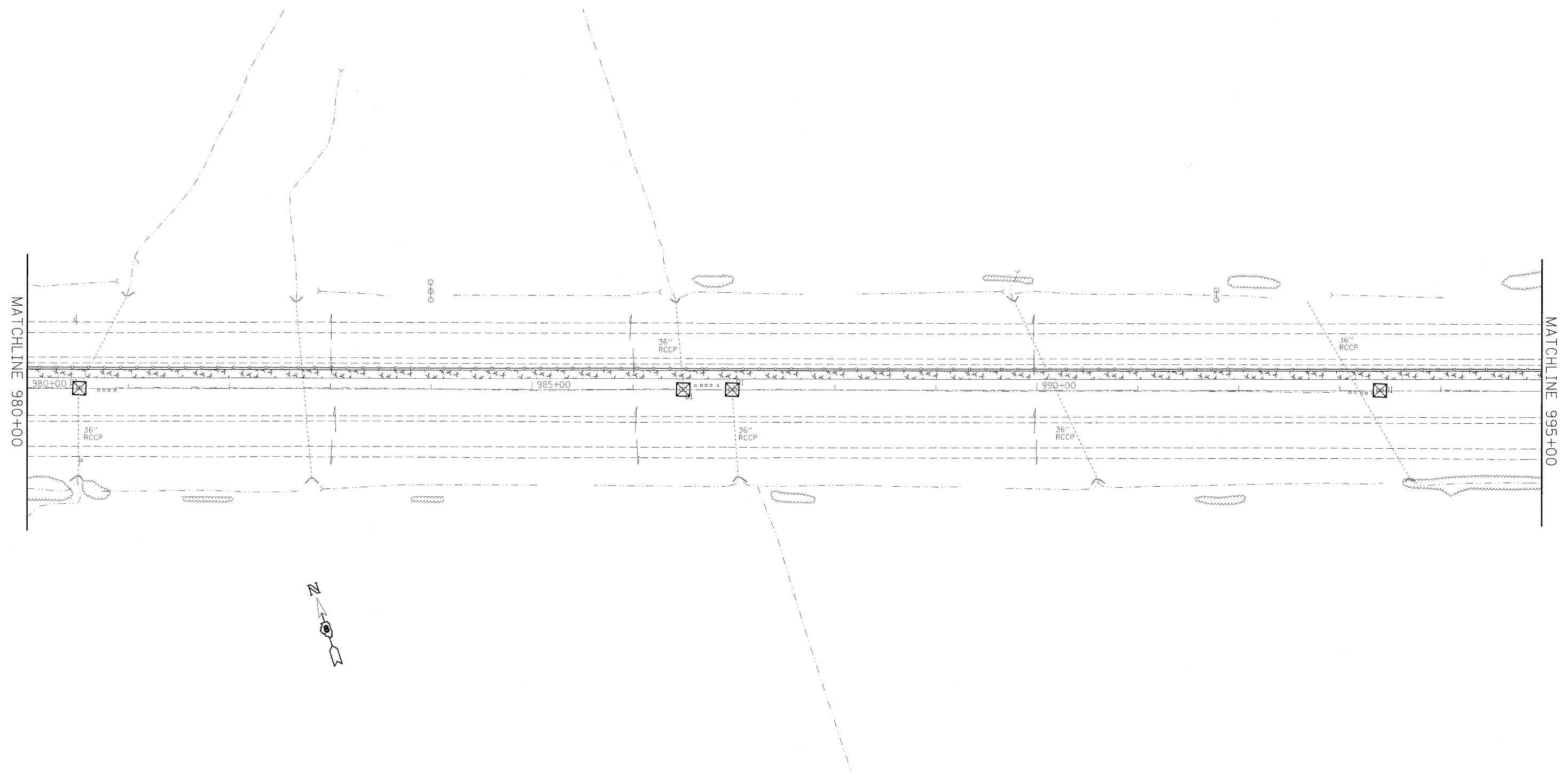
-  INLET AND PIPE PROTECTION
-  MULCH


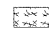
FILE NAME =	USER NAME = conoverpj	DESIGNED - ---	REVISED - ---	STATE OF ILLINOIS DEPARTMENT OF TRANSPORTATION	EROSION CONTROL PLAN SHEET	F.A.I. RTE.	SECTION	COUNTY	TOTAL SHEETS	SHEET NO.	
cr:\pw\work\p\widat\conoverpj\dms63235\d876c14-sht-eros.dgn	PLOT SCALE = 50.0000' / IN.	DRAWN - ---	REVISED - ---			64	82-(7,8)I	ST. CLAIR	52	47	
PLOT DATE = 11/25/2008	DATE - -----	CHECKED - ---	REVISED - ---			SCALE: 1" = 50' SHEET NO. 15 OF 20 SHEETS STA. 950+00 TO STA. 965+00		FED. ROAD DIST. NO. - ILLINOIS FED. AID PROJECT			
		DATE - -----	REVISED - ---			CONTRACT NO. 76C14					



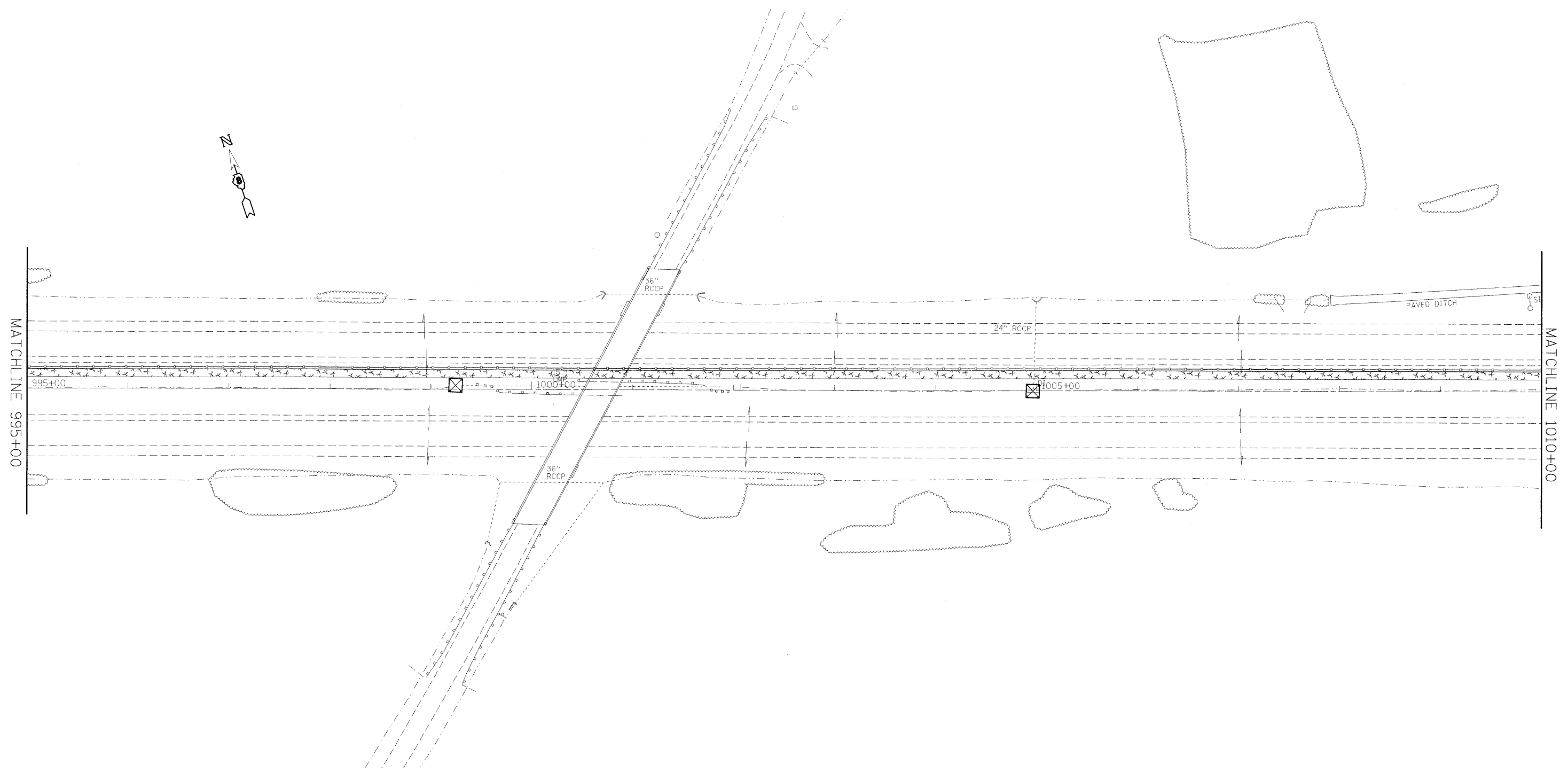
-  INLET AND PIPE PROTECTION
-  MULCH

FILE NAME =	USER NAME = conoverpj	DESIGNED = ---	REVISED = ---	STATE OF ILLINOIS DEPARTMENT OF TRANSPORTATION	EROSION CONTROL PLAN SHEET			F.A.I. RTE.	SECTION	COUNTY	TOTAL SHEETS	SHEET NO.
et:\pw_work\pwidot\conoverpj\dms63235\0876c14-sht-eros.dgn		DRAWN = ---	REVISED = ---		SCALE: 1" = 50'	SHEET NO. 16 OF 20 SHEETS	STA. 965+00 TO STA. 980+00	64	82-(7,8)1	ST. CLAIR	52	48
	PLOT SCALE = 50.0000' / IN.	CHECKED = ---	REVISED = ---					CONTRACT NO. 76C14				
	PLOT DATE = 11/26/2008	DATE = -----	REVISED = ---					FED. ROAD DIST. NO. ILLINOIS FED. AID PROJECT				



-  INLET AND PIPE PROTECTION
-  MULCH

FILE NAME =	USER NAME = conoverpj	DESIGNED -	REVISED -	STATE OF ILLINOIS DEPARTMENT OF TRANSPORTATION	EROSION CONTROL PLAN SHEET		F.A.I. RTE.	SECTION	COUNTY	TOTAL SHEETS	SHEET NO.	
ct:\pw_work\pmdot\conoverpj\des63235\0876cl4-sht-eros.dgn		DRAWN -	REVISED -		SCALE: 1" = 50'	SHEET NO. 17 OF 20 SHEETS	STA. 980+00 TO STA. 995+00	64	82-(7,8)I	ST. CLAIR	52	49
		CHECKED -	REVISED -					CONTRACT NO. 76C14				
		DATE -	REVISED -		FED. ROAD DIST. NO. _ ILLINOIS FED. AID PROJECT							
	PLOT SCALE = 50.0000' / IN. PLOT DATE = 11/26/2008											



MATCHLINE 995+00

MATCHLINE 1010+00

◆ INLET AND PIPE PROTECTION

▣ MULCH

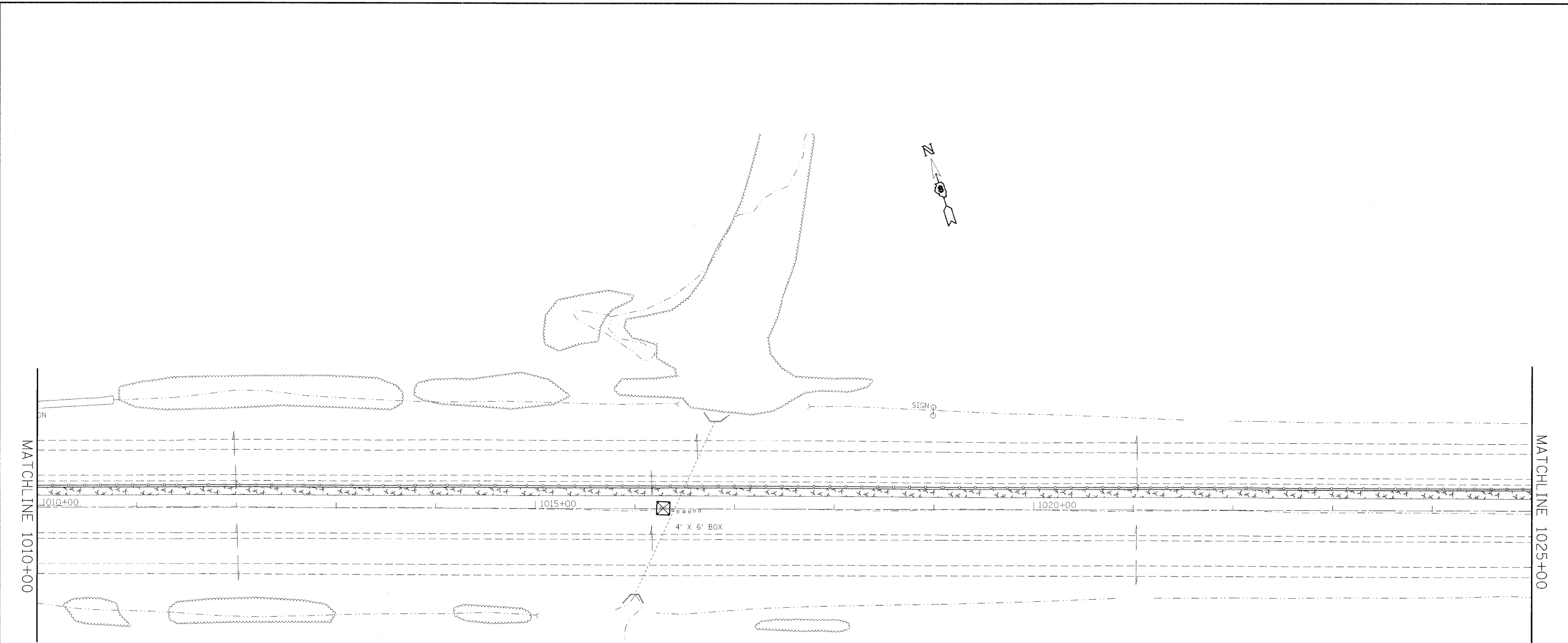
FILE NAME =	USER NAME = cooverpj	DESIGNED -	REVISED -
ci:\pw\work\p\p\dat\cooverpj\dms63235\d876el4-sht-eros.dgn		DRAWN -	REVISED -
	PLOT SCALE = 50.0000' / IN.	CHECKED -	REVISED -
	PLOT DATE = 11/26/2000	DATE -	REVISED -

STATE OF ILLINOIS
DEPARTMENT OF TRANSPORTATION

EROSION CONTROL PLAN SHEET

SCALE: 1" = 50' SHEET NO. 18 OF 20 SHEETS STA. 995+00 TO STA. 1010+00

F.A.I. RTE.	SECTION	COUNTY	TOTAL SHEETS	SHEET NO.
64	82-(7,8)I	ST. CLAIR	52	50
CONTRACT NO. 76C14				
FED. ROAD DIST. NO. - ILLINOIS FED. AID PROJECT				



 INLET AND PIPE PROTECTION

 MULCH

FILE NAME =
c:\pw\work\p\sd\conoverpj\dms63235\d8

USER NAME = conoverpj
6cl4-sht-eros.dgn

DESIGNED - ---
DRAWN - ---

REVISED - ---
REVISED - ---

STATE OF ILLINOIS
DEPARTMENT OF TRANSPORTATION

EROSION CONTROL PLAN SHEET

F.A.I. RTE.	SECTION	COUNTY	TOTAL SHEETS	SHEET NO.
64	82-(7,8)I	ST. CLAIR	52	51

PLOT SCALE = 50.0000' / IN.
PLOT DATE = 11/26/2008

CHECKED - ---
DATE - ---

REVISED - ---
REVISED - ---

SCALE: 1" = 50' | SHEET NO. 19 OF 20 SHEETS | STA. 1010+00 TO STA. 1025+00

FED. ROAD DIST. NO. | ILLINOIS FED. AID PROJECT | CONTRACT NO. 76C14



MATCHLINE 1025+00

MATCHLINE 1040+00

 INLET AND PIPE PROTECTION

 MULCH

FILE NAME = c:\pw_work\p1dat\conoverpj\dms63235\cd876c14-sht-eros.dgn	USER NAME = conoverpj	DESIGNED - ---	REVISED - ---	STATE OF ILLINOIS DEPARTMENT OF TRANSPORTATION	EROSION CONTROL PLAN SHEET			F.A.I. RTE.	SECTION	COUNTY	TOTAL SHEETS	SHEET NO.
	PLOT SCALE = 50,0000' / IN.	DRAWN - ---	REVISED - ---		64	82-(7,8)I	ST. CLAIR	52	52			
PLOT DATE = 11/26/2008	CHECKED - ---	REVISED - ---	SCALE: 1" = 50' SHEET NO. 20 OF 20 SHEETS STA. 1025+00 TO STA. 1040+00			CONTRACT NO. 76C14						
	DATE - ---	REVISED - ---	FED. ROAD DIST. NO. - [ILLINOIS] FED. AID PROJECT									