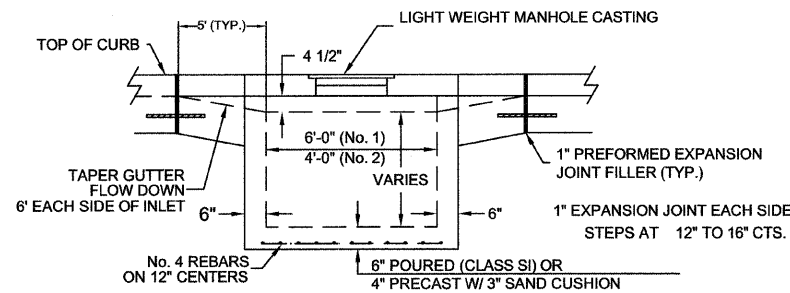
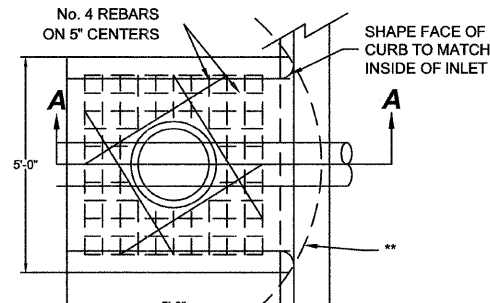




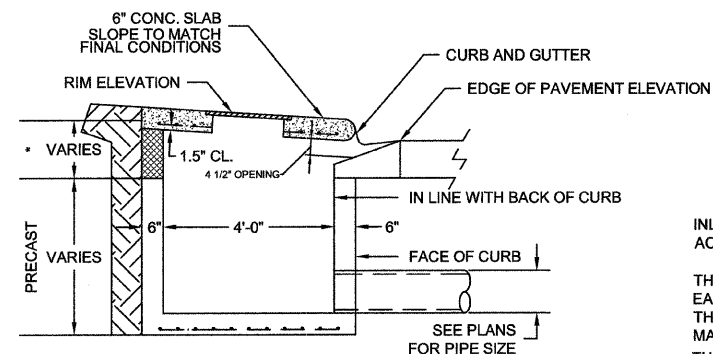
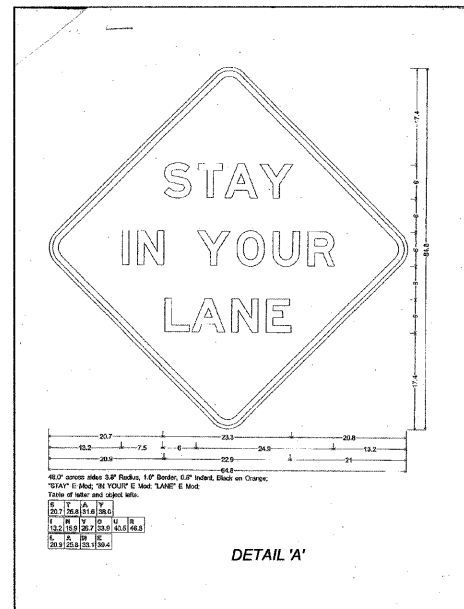
# INLET SPECIAL NO. 1



TYPICAL FRONT VIEW



TOP VIEW



SECTION A-A

INLET, SPECIAL NO. 1 SHALL BE CONSTRUCTED IN ACCORDANCE WITH SECTION 602 OF THE STANDARD SPECIFICATIONS.

THIS ITEM SHALL BE PAID FOR AT THE CONTRACT UNIT PRICE PER EACH INLET, SPECIAL NO. 1 WHICH PRICE SHALL INCLUDE THE COST OF FRAME AND LID, REINFORCEMENT BARS AND ALL OTHER MATERIALS.

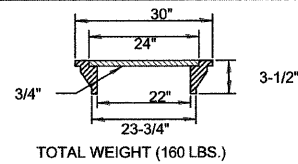
THE INLET SHALL BE CAST IN PLACE OR PRECAST CONTRACTOR TO VERIFY PRECAST HEIGHT PRIOR TO ORDERING MATERIALS.

THE CURB AND GUTTER ADJACENT TO AND (6 FT) ON EITHER SIDE OF THE INLET SHALL BE CONSTRUCTED AS SHOWN WITH NO ADDITIONAL COMPENSATION FOR THE TRANSITION.

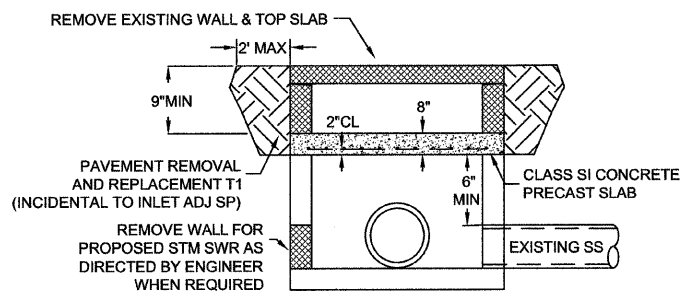
THE CURB AND GUTTER WILL BE PAID FOR SEPARATELY AND WILL BE MEASURED THROUGH THE INLET.

\*\* - WHEN INLET IS TO BE CONSTRUCTED IN RETURN, THE TOP OF THE SLAB SHALL CONFORM TO THE RADIUS OF THE RETURN.

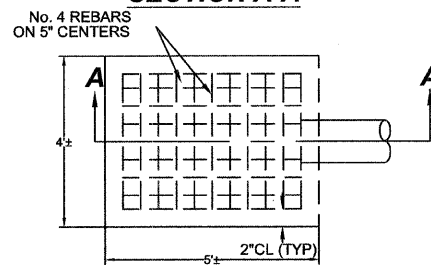
LIGHT WEIGHT MANHOLE CASTING



## INLET ADJUSTED SPECIAL

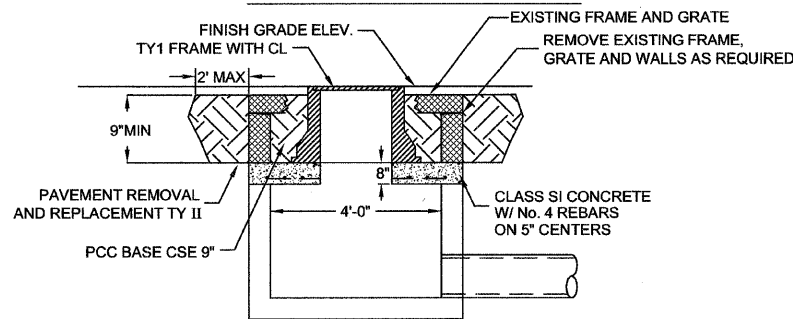


SECTION A-A

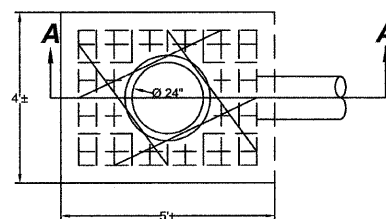


TOP VIEW

## INLET RECONSTRUCTION W/ TY1 F&CL



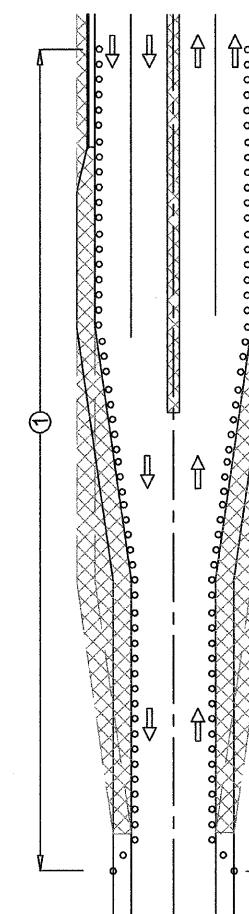
SECTION A-A



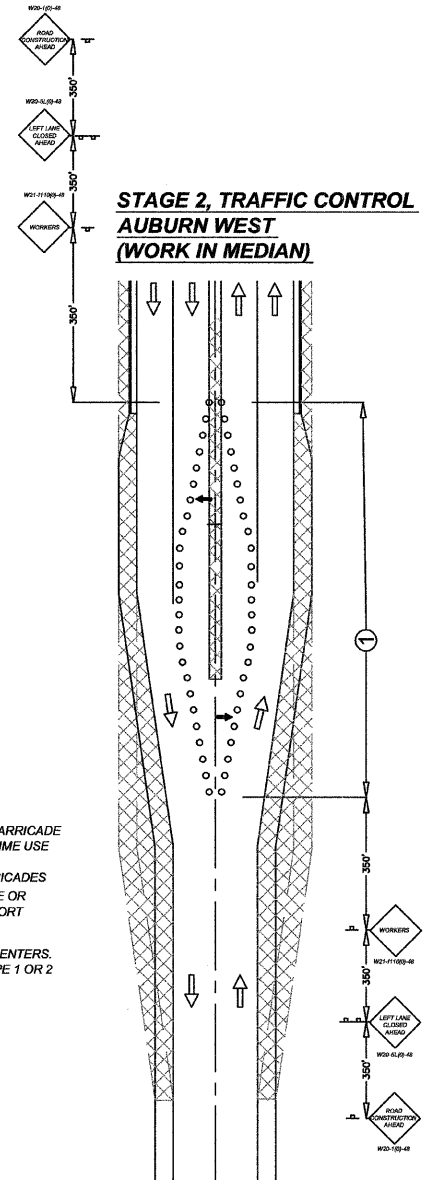
TOP VIEW

WORKPOINT/BENCHMARK TABLE			
Northing	Easting	Elevation	Description
2049196.98	2572887.88	807.39	WKPT #1
2048751.11	2572991.51	799.36	WKPT #2
2048402.22	2573010.24	809.14	WKPT #3
2049136.1	2573419.47	797.57	WKPT #4
2049371.9	2572992.76	808.48	WKPT #5
2049962.86	2572917.28	795.49	WKPT #6
2049178.99	2572519.92	806.54	WKPT #7
2049132.31	2571987.33	798.77	WKPT #8
2049292.87	2572855.7	807.8	WKPT #9
2048839.61	2573124.11	785.47	WKPT #10

STAGE 1, TRAFFIC CONTROL AUBURN WEST (WORK IN SHOULDER)



STAGE 2, TRAFFIC CONTROL AUBURN WEST (WORK IN MEDIAN)



**SYMBOLS**

- ↑ ARROW BOARD
- WORK AREA
- CONE, DRUM OR BARRICADE (CONES FOR DAYTIME USE ONLY)
- TY-1 OR TY-2 BARRICADES
- † SIGN ON PORTABLE OR PERMANENT SUPPORT
- ① FOR CONES @ 25' CENTERS. FOR DRUMS OR TYPE 1 OR 2 BARRICADES @ 50'