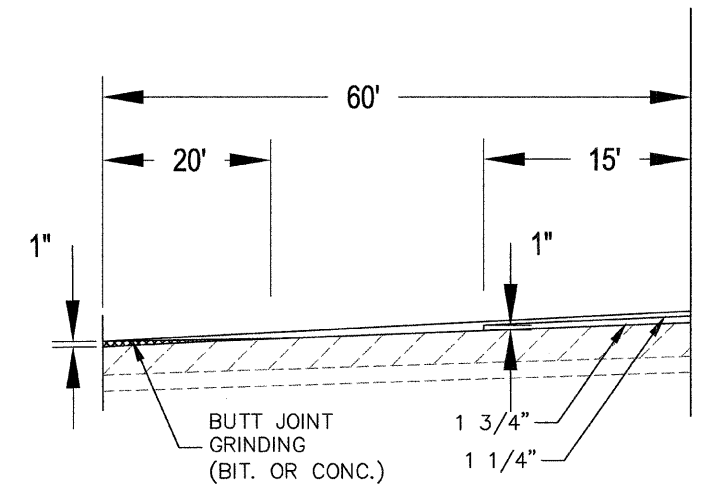


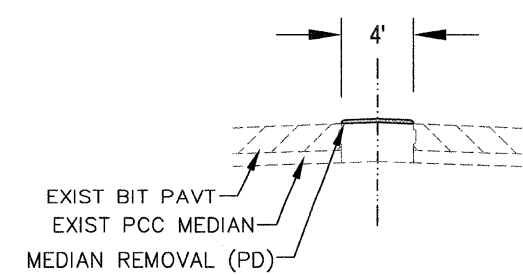
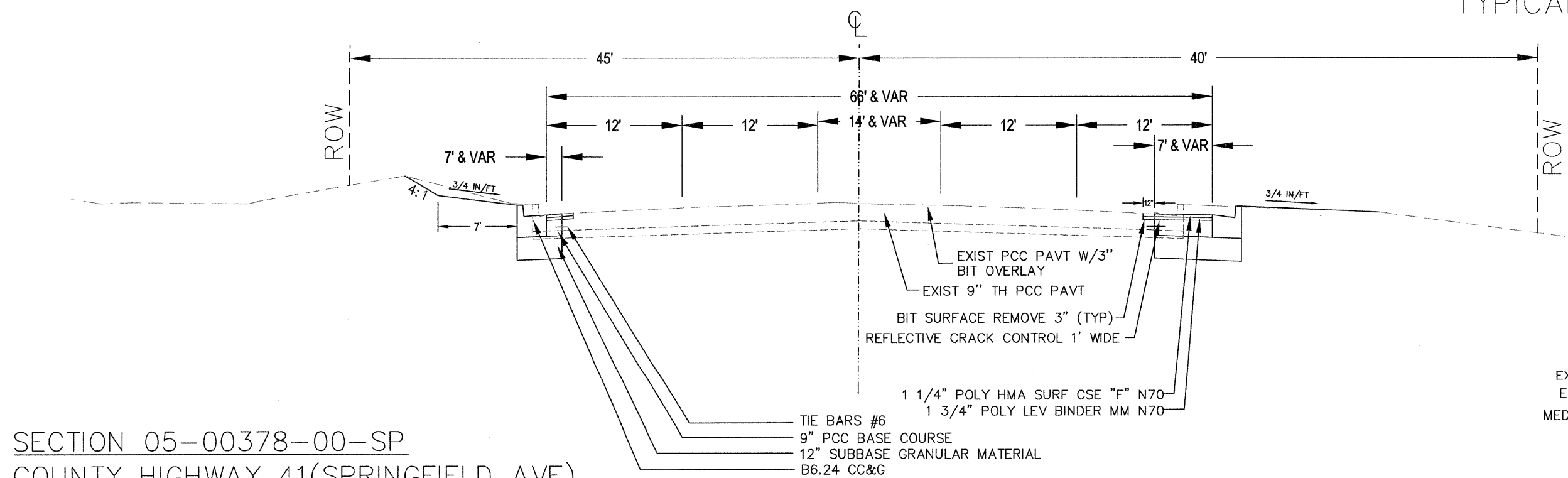
TYPICAL MEDIAN REMOVAL

SECTION 05-00378-00-SP
 COUNTY HIGHWAY 41 (SPRINGFIELD AVE)
 STA. 12+08.61 TO STA. 21+50

- 1 1/4" POLY HMA SURF CSE "F" N70
- 1 3/4" POLY LEV BINDER MM N70
- TIE BARS #6
- 9" PCC BASE COURSE
- 12" SUBBASE GRANULAR MATERIAL
- B6.24 CC&G



TYPICAL 60' TAPER



TYPICAL MEDIAN REMOVAL (PD)

SECTION 05-00378-00-SP
 COUNTY HIGHWAY 41 (SPRINGFIELD AVE)
 STA. 21+50 TO STA. 27+91.7

- TIE BARS #6
- 9" PCC BASE COURSE
- 12" SUBBASE GRANULAR MATERIAL
- B6.24 CC&G
- 1 1/4" POLY HMA SURF CSE "F" N70
- 1 3/4" POLY LEV BINDER MM N70