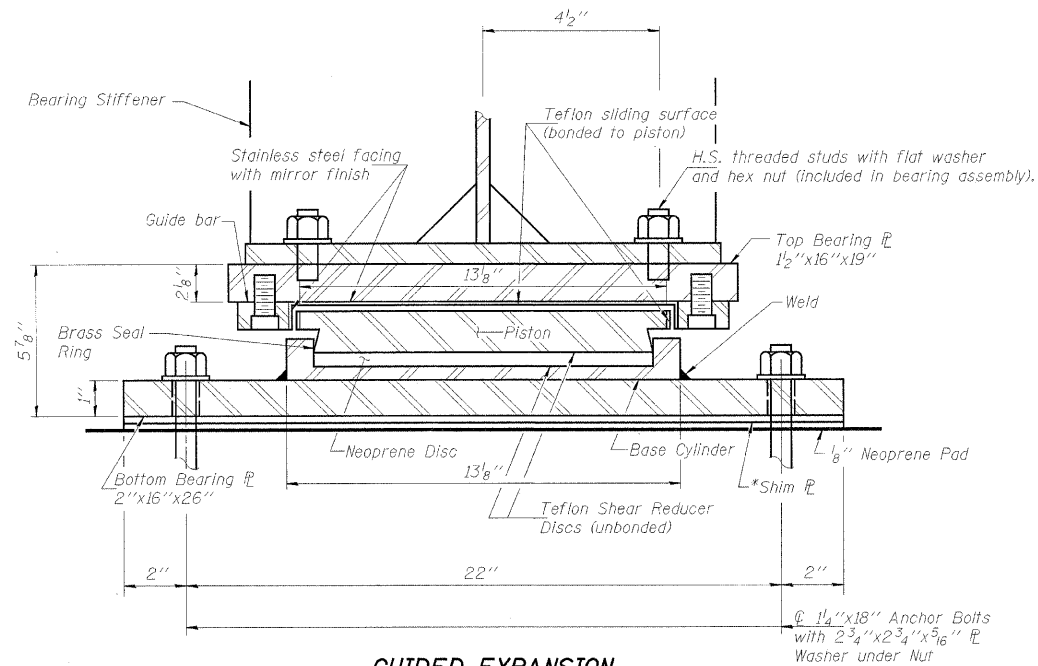
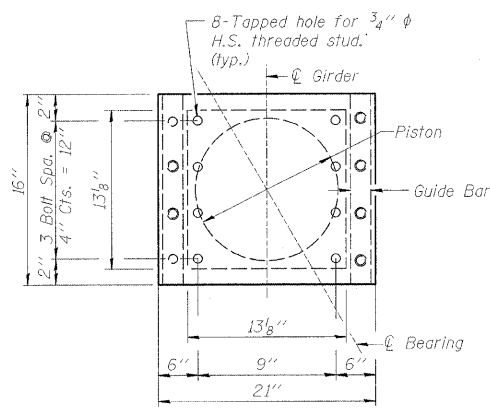


PROJECT	SECTION	COUNTY	SHEETS	SHEET
5154	04-00343-00-BR	WINNEBAGO	92	58
FED. ROAD DIST. NO. 7	ILLINOIS	FED. AID PROJECT-BRM-5099(75)		

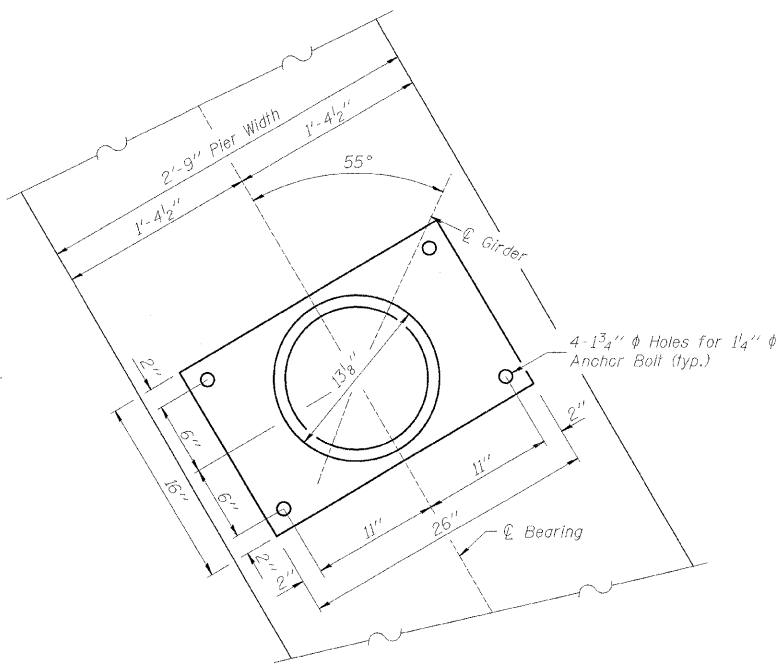
Structural Sheet 12B of 21B



**GUIDED EXPANSION
HLMR BEARING - 250K**
(Pier #2)



**TOP BEARING P AND
PISTON PLAN**



**BOTTOM BEARING P AND
BASE CYLINDER PLAN**

POT Bearing DATA	
	Pier #2 (Exp.)
Dead load	184.0k
Live Load	61.8k
Vert. Design Load	245.8k
Impact	12.4k
Total	504.0k
Long Load	0
Trans. Loads	
Wind	82.5k
Earthquake	37k
Expansion Length	142'-2"

NOTES:

All P's of the Bearing Assembly shall be AASHTO M 270M Grade 50.
Base P Thickness was determined by using a Pot φ of 13 1/8".
Cost of field drilling is included with "Furnishing & Erecting Structural Steel".

BILL OF MATERIAL

Item	Unit	Total
High Load Multi-Relation Bearings, Guided Expansion - 250K	Each	6
Anchor Bolts, 1 1/4"	Each	24

Revised 2-17-09

POT BEARINGS
BELTLINE ROAD OVER KISHWAUKEE RIVER
FAU ROUTE 5154 SECTION 04-00343-00-BR
WINNEBAGO COUNTY
STA. 129+89 (S.N. 101-0171)