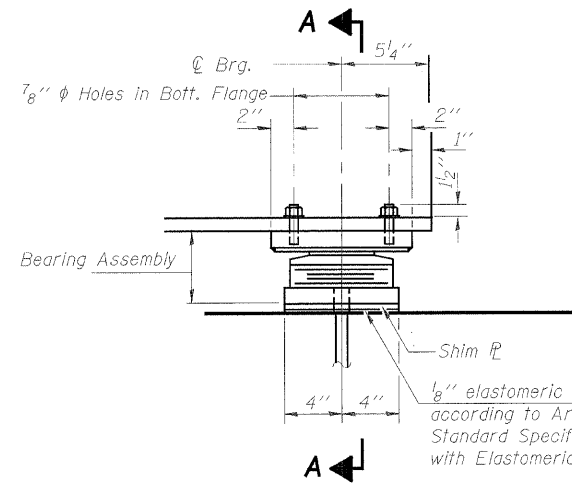
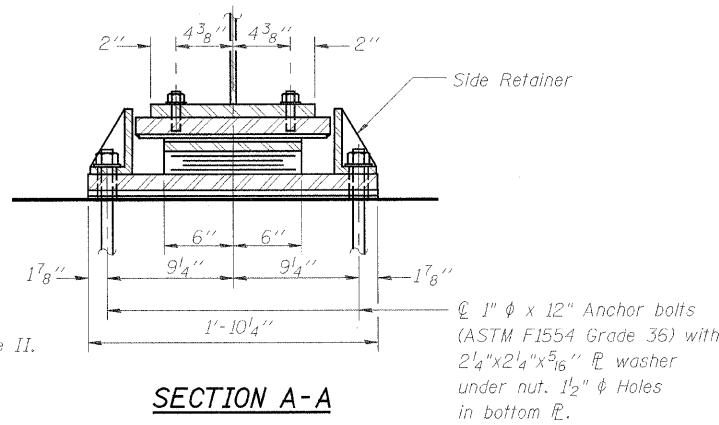


| | | | | |
|-----------------------|----------------|-------------------------------|-------|-----|
| PROJECT | SECTION | COUNTY | SHEET | SET |
| P.R.L. 5154 | 04-00343-00-BR | WINNEBAGO | 92 | 35 |
| FED. ROAD DIST. NO. 7 | ILLINOIS | FED. AID PROJECT-BRM-5099(75) | | |

Structural Sheet IIA of 22A

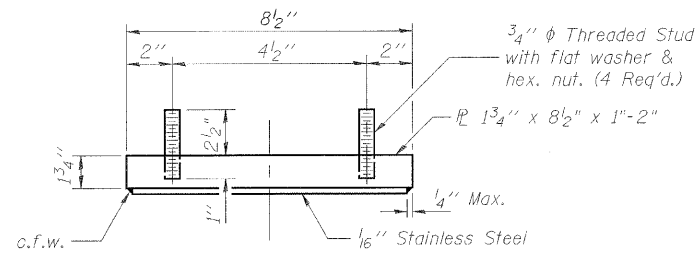


ELEVATION AT EAST ABUT.

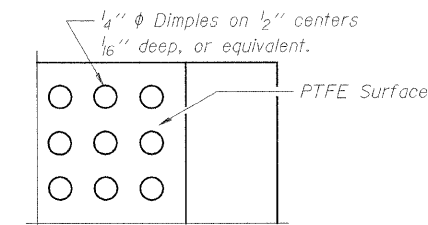


SECTION A-A

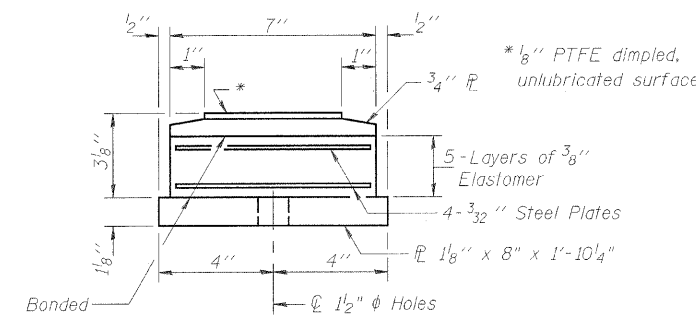
TYPE II ELASTOMERIC EXP. BRG.



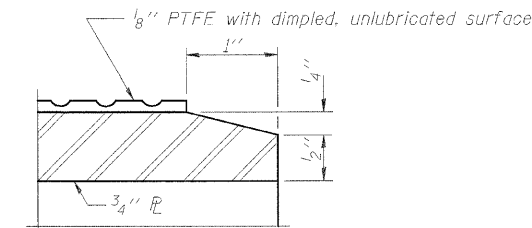
TOP BEARING ASSEMBLY



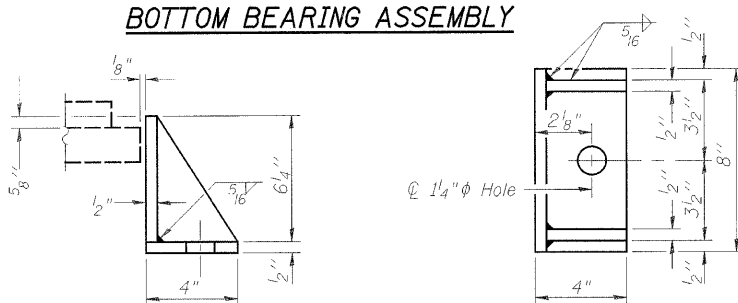
PLAN-PTFE SURFACE



BOTTOM BEARING ASSEMBLY

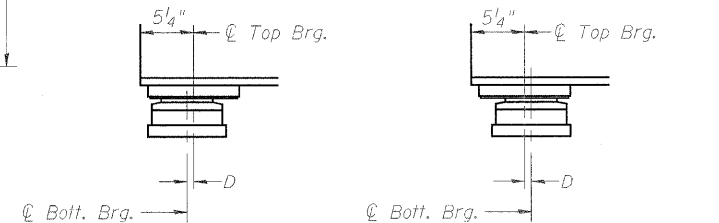


SECTION THRU TFE



SIDE RETAINER

Equivalent rolled angle with stiffeners will be allowed in lieu of welded plates. Weight included with Structural Steel.

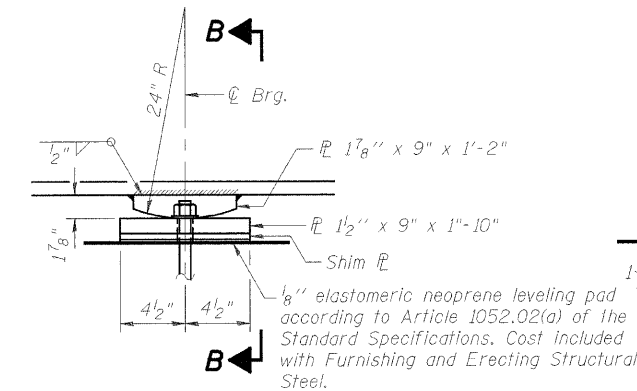


BELOW 50°F. ABOVE 50°F.

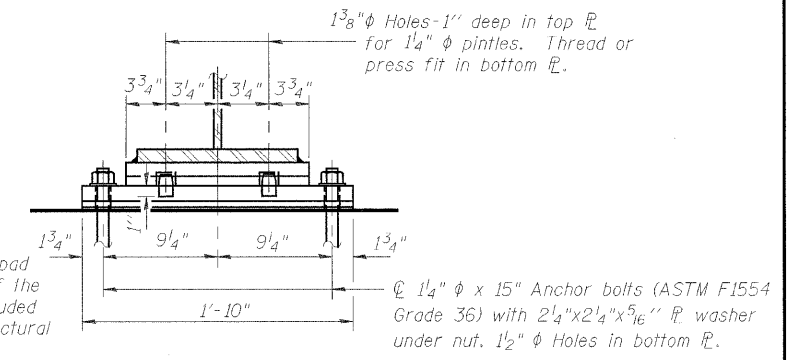
(Move bott. brg. away from fixed brg.) (Move bott. brg. toward fixed brg.)

SETTING ANCHOR BOLTS AT EXP. BRG.

D=1/8" per each 100' of expansion for every 15° temp. change from the normal temp. of 50°F.

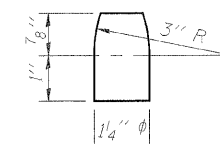


ELEVATION AT PIER NO. 1



SECTION B-B

FIXED BEARING



PINTLE

NOTES:

Anchor bolts shall be ASTM F1554 all-thread (or an Engineer-approved alternate material) of the grade(s) and diameter(s) specified. ASTM A307 Grade C anchor bolts may be used in lieu of ASTM F1554 Grade 36 (Fy=36ksi). The corresponding specified grade of AASHTO M314 anchor bolts may be used in lieu of ASTM F1554.

Anchor bolts at fixed bearings may be either cast in place or installed in holes drilled after the supported member is in place.

Anchor bolts for Type II bearings shall be placed in holes drilled through the bottom bearing plate after members are in place. Side retainers shall be placed after bolts are installed.

Drilled and set anchor bolts shall be installed according to Article 521.06 of the Standard Specifications.

Side retainers and other steel members required for the bearing assembly shall be included in the cost of Elastomeric Bearing Assembly, Type II.

The 1/8" PTFE sheet shall be bonded directly to the top steel plate with a two-component, medium viscosity epoxy resin, conforming to the requirements of the Federal Specification MMM-A-134, Type I. The bond agent shall be applied on the full area of the contact surfaces.

Bonding of 1/8" PTFE sheet during vulcanizing process will be permitted provided the process and method of adjusting assembly height is approved by the Engineer.

BILL OF MATERIAL

| Item | Unit | Total |
|---------------------------------------|------|-------|
| Elastomeric Bearing Assembly, Type II | Each | 6 |
| Anchor Bolts, 1" | Each | 12 |
| Anchor Bolts, 1 1/4" | Each | 12 |

**TYPE II ELASTOMERIC AND FIXED BEARINGS
BELTLINE ROAD OVER ILLINOIS RAILNET
FAU ROUTE 5154 SECTION 04-00343-00-BR
WINNEBAGO COUNTY
STA. 148+18.00 (S.N. 101-0172)**