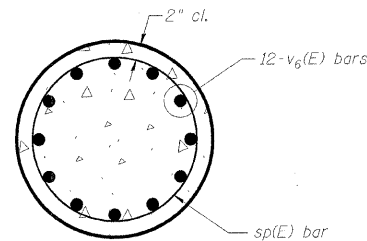
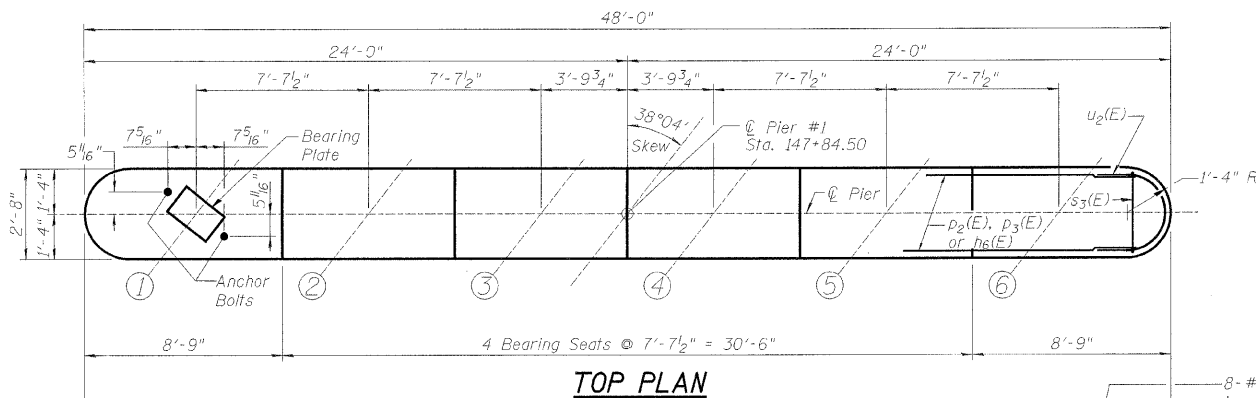


PROJECT	SECTION	COUNTY	SHEET NO.	TOTAL SHEETS
F.A.U. 5154	04-00343-00-BR	WINNEBAGO	92	40
FED. ROAD DIST. NO. 7		ILLINOIS	FED. AID PROJECT: BRM-5099(75)	

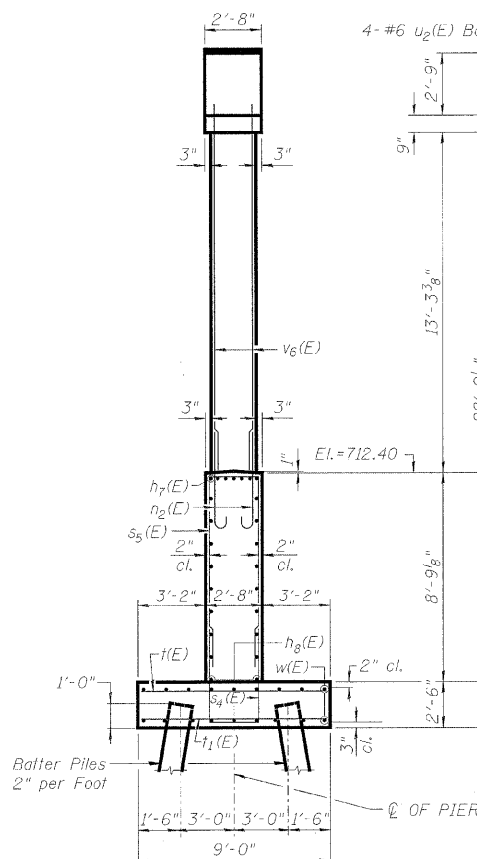
Structural Sheet 16A of 22A



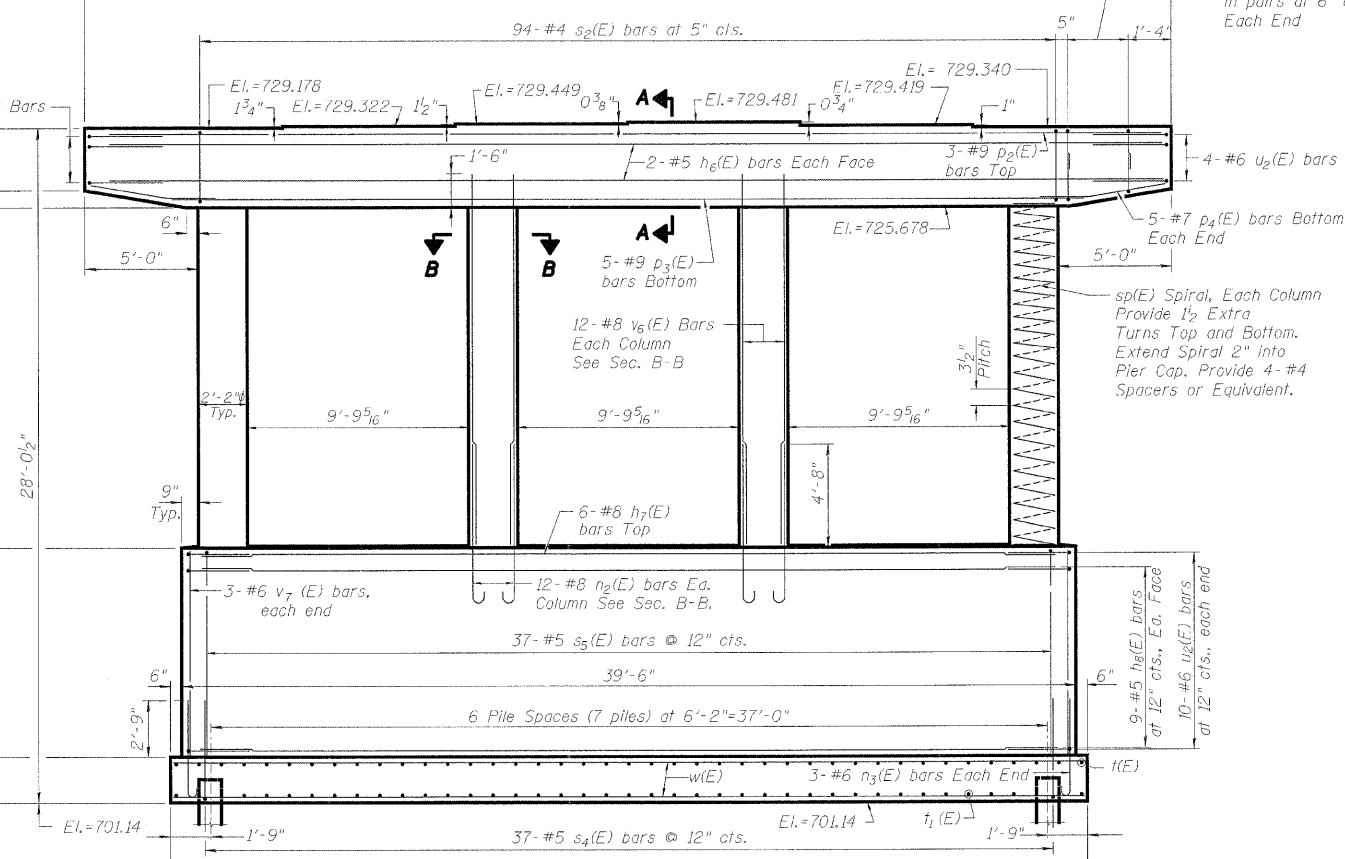
SEC. B-B



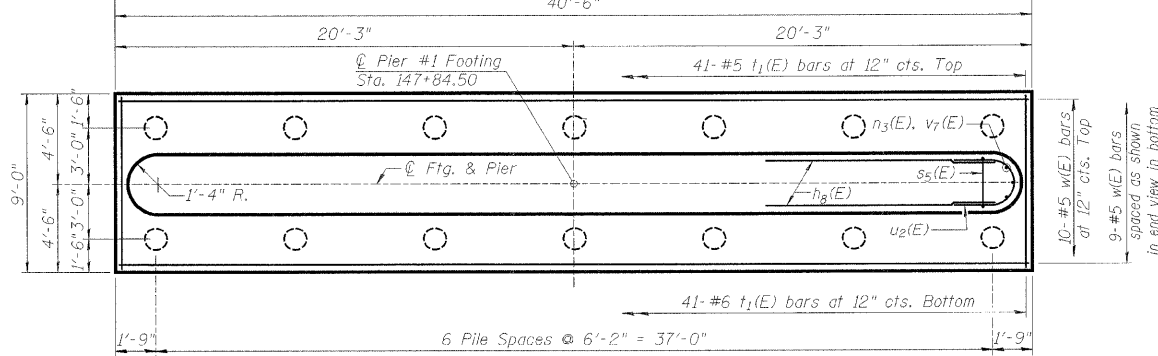
TOP PLAN



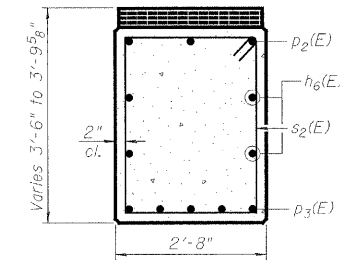
END VIEW



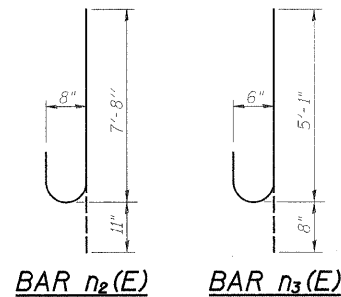
ELEVATION
(Looking East)



FOOTING PLAN

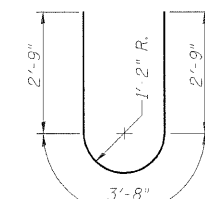


SEC. A-A

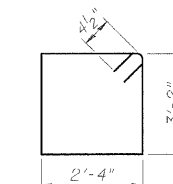


BAR n₂(E)

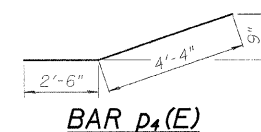
BAR n₃(E)



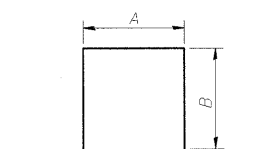
BAR u₂(E)



BAR s₂(E)



BAR p₄(E)



BARS s₃(E)-s₅(E)

A & B DIMENSIONS

Bar	A	B
s ₃ (E)	2'-4"	2'-5"
s ₄ (E)	2'-4"	5'-1"
s ₅ (E)	2'-4"	8'-5"

BILL OF MATERIAL-PIER #1

Bar	No.	Size	Length	Shape
h ₆ (E)	4	#5	45'-4"	—
h ₇ (E)	6	#8	36'-10"	—
h ₈ (E)	18	#5	36'-10"	—
n ₂ (E)	48	#8	8'-7"	U
n ₃ (E)	6	#6	5'-9"	U
p ₂ (E)	3	#9	45'-4"	—
p ₃ (E)	5	#9	39'-0"	—
p ₄ (E)	10	#7	6'-10"	—
s ₂ (E)	94	#4	11'-9"	□
s ₃ (E)	32	#5	7'-2"	□
s ₄ (E)	37	#5	12'-6"	□
s ₅ (E)	37	#5	19'-2"	□
*sp(E)	4	#4	13'-11"	W
t ₁ (E)	41	#5	8'-8"	—
t ₂ (E)	41	#6	8'-8"	—
u ₂ (E)	28	#6	9'-2"	U
v ₆ (E)	48	#8	14'-9"	—
v ₇ (E)	6	#6	8'-5"	—
w(E)	19	#5	40'-2"	—
Structure Excavation	Cu. Yd.	102		
Concrete Structures	Cu. Yd.	91.3		
Reinforcement Bars, Epoxy Coated	Lbs.	10,900		
Furnishing Metal Shell Piles, 12"	Foot	169		
Driving Piles	Foot	169		
Test Pile, Metal Shell	Each	1		

NOTES:

- Reinforcement Bars designated (E) shall be epoxy coated.
- * Length of spiral = 285'. No allowance for lap. Min. Spiral lap 1 1/2 turns.
- Space Reinforcement in cap to miss anchor bolts.
- All edges shall have standard 3/4" chamfer except as noted.
- Four steps monolithically with cap.

PILE DATA:

Type: 12 in. Dia. x 0.25" Walls
 Nominal Required Bearing: 270 kips
 Allowable Resistance Available: 90 kips
 Est. Length: 13'
 No. Production Piles: 13
 No. Test Piles: 1

SIZE	MIN. LAP
#5	2'-2"
#6	2'-7"
#7	3'-5"
#8	4'-6"
#9	5'-9"