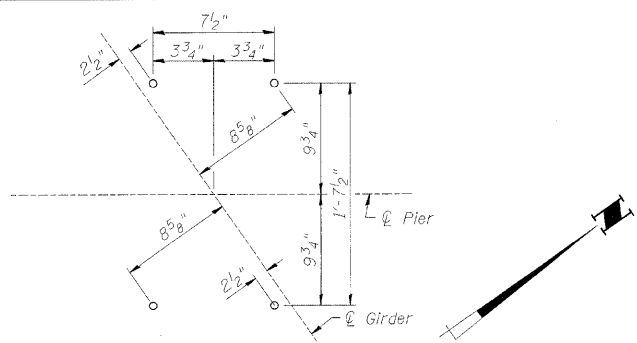
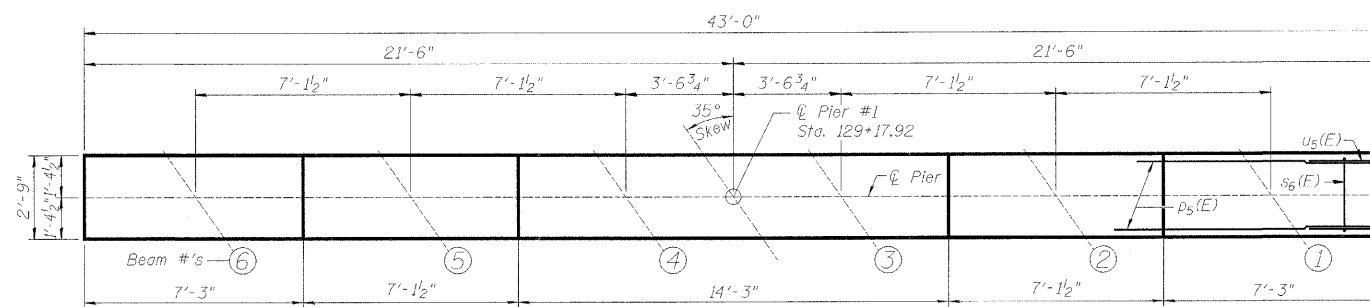


| DATE | SECTION | COUNTY | SHEETS | PROJECT |
|-----------------------|----------------|-----------|-------------------------------|---------|
| 5/54 | 04-00343-00-BR | WINNEBAGO | 92 | 63 |
| FED. ROAD DIST. NO. 7 | | ILLINOIS | FED. AID PROJECT-BRM-5099(75) | |

Structural Sheet 17B of 21B

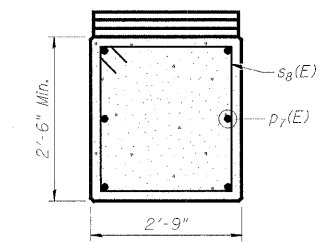


ANCHOR BOLT LAYOUT

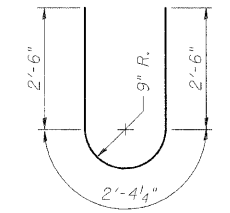


TOP PLAN

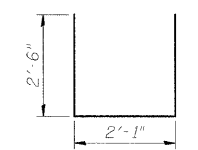
*Provide Additional 1/8" Shim at Beam 3. See Structural Sheet 9B of 21B. 44-#4 s8(E) bars at 12" cts.



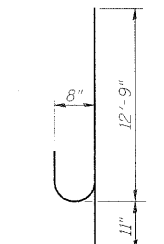
SEC. A-A



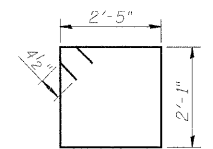
BAR u6(E)



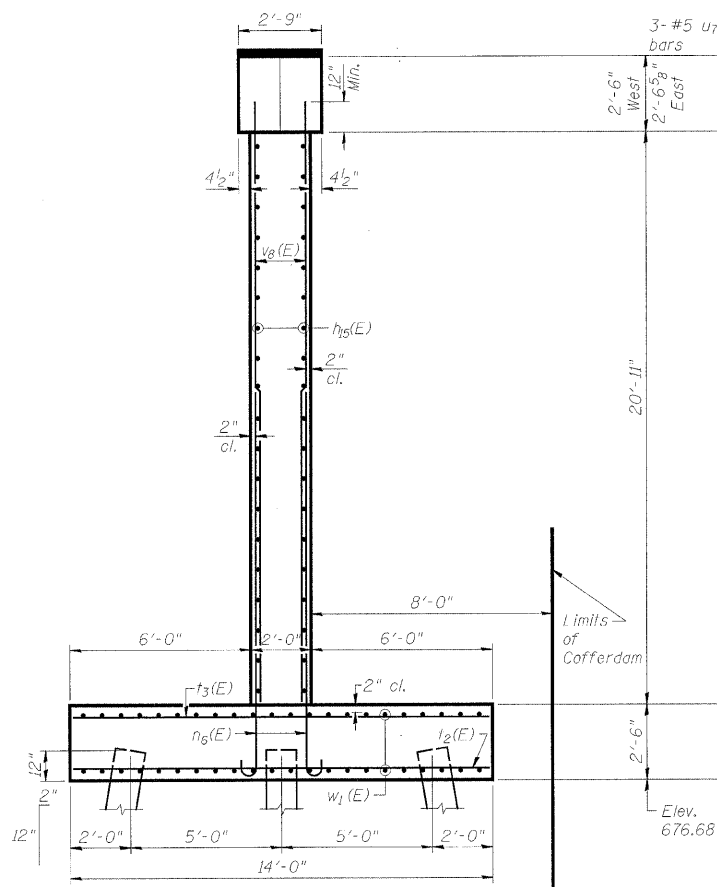
BAR u7(E)



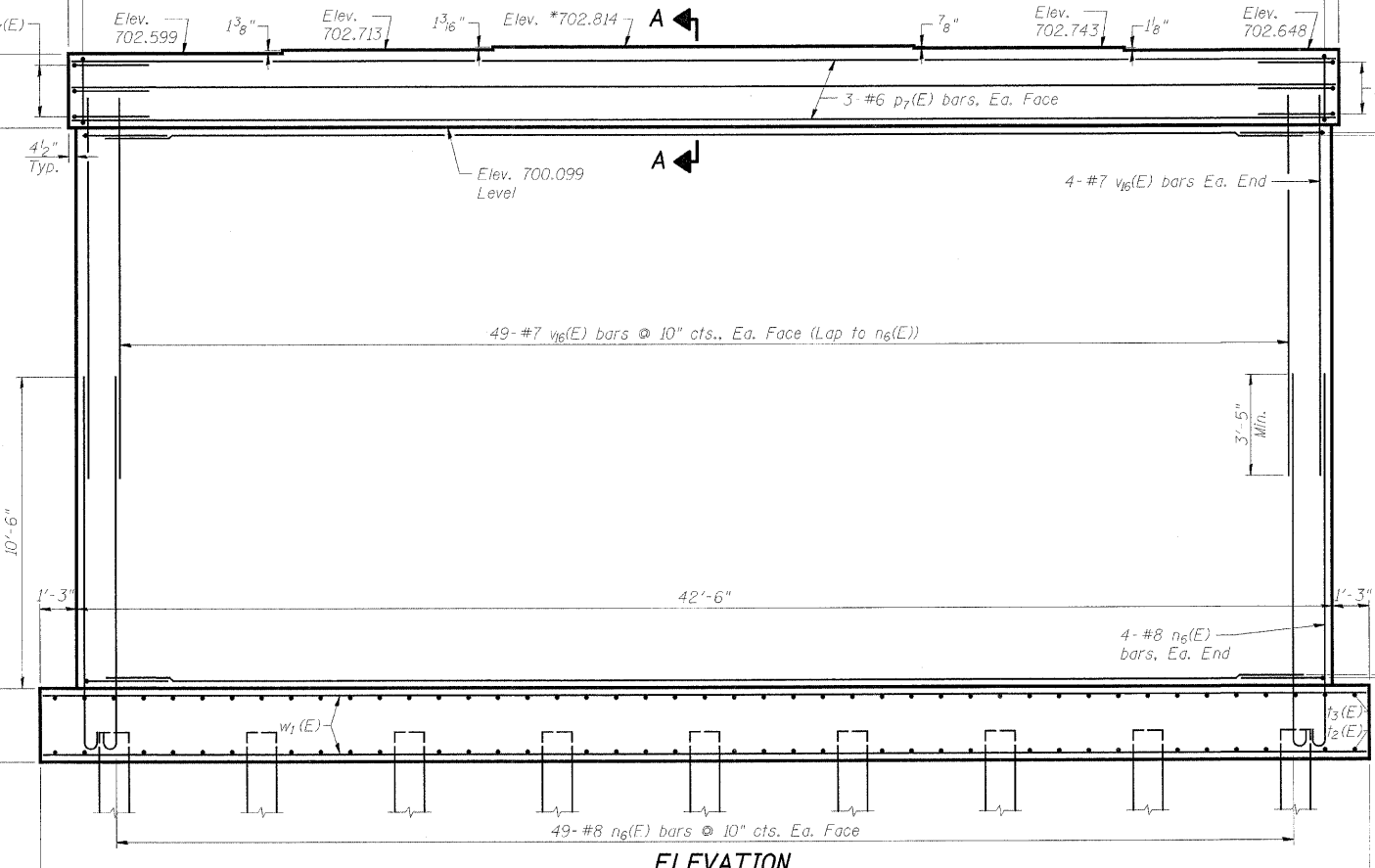
BAR n6(E)



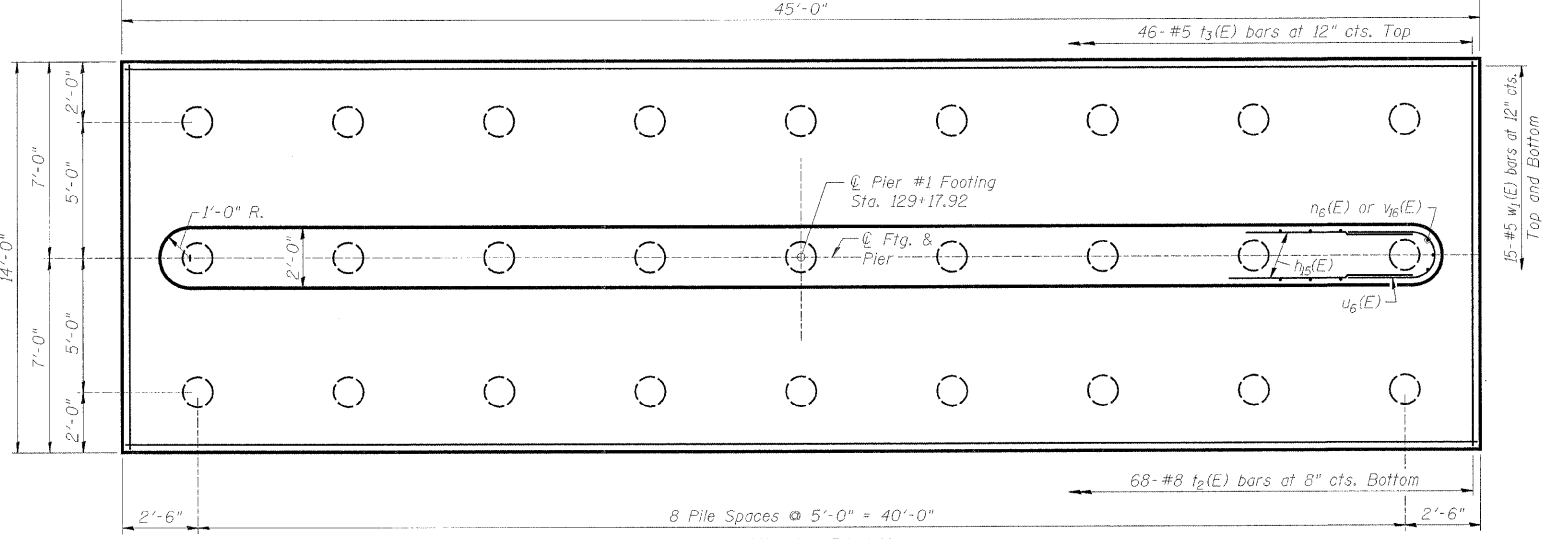
BAR s8(E)



END VIEW



ELEVATION



FOOTING PLAN

PILE DATA

Type: 12 in. Dia. x 0.25" Walls
 Nominal Required Bearing: 270 kips
 Allowable Resistance Available: 90 kips
 Est. Length: 38'
 No. Production Piles: 26
 No. Test Piles: 1

| MIN. LAP SIZE | LAP |
|---------------|-------|
| #4 | 1'-8" |
| #5 | 2'-2" |
| #6 | 2'-7" |
| #7 | 3'-5" |
| #8 | 4'-6" |

BILL OF MATERIAL-PIER #1

| Bar | No. | Size | Length | Shape |
|-----------------------------------|-----|---------|---------|-------|
| h8(E) | 42 | #5 | 40'-6" | — |
| n6(E) | 106 | #8 | 13'-8" | U |
| p7(E) | 6 | #6 | 42'-8" | — |
| s8(E) | 44 | #4 | 9'-9" | □ |
| i2(E) | 68 | #8 | 13'-8" | — |
| i3(E) | 46 | #5 | 13'-8" | — |
| u6(E) | 42 | #5 | 9'-4" | U |
| u7(E) | 6 | #5 | 7'-1" | U |
| v6(E) | 106 | #7 | 14'-10" | — |
| w1(E) | 30 | #5 | 44'-8" | — |
| Cofferdam Excavation | | Cu. Yd. | 292 | |
| Cofferdams | | Each | 1 | |
| Concrete Structures | | Cu. Yd. | 134.1 | |
| Reinforcement Bars, Epoxy Coated | | Lbs. | 14,520 | |
| Furnishing Metal Shell Piles, 12" | | Foot | 988 | |
| Driving Piles | | Foot | 988 | |
| Test Pile-Metal Shell | | Each | 1 | |

NOTES:

Reinforcement Bars designated (E) shall be epoxy coated.
 Space Reinforcement in cap to miss anchor bolts.
 All edges shall have standard 3/4" chamfer except as noted.
 *Pour steps monolithically with cap.

PIER #1
BELTLINE ROAD OVER KISHWAUKEE RIVER
FAU ROUTE 5154 SECTION 04-00343-00-BR
WINNEBAGO COUNTY
STA. 129+89 (S.N. 101-0171)