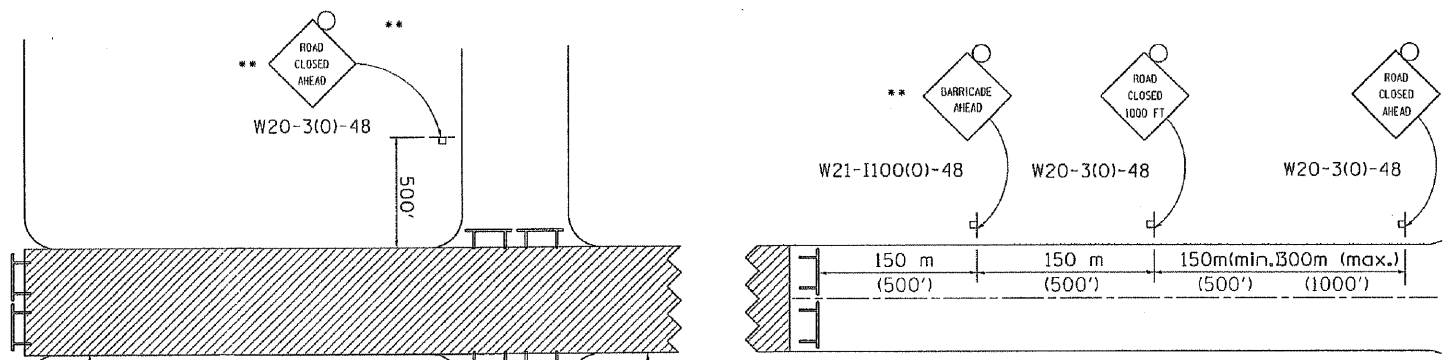
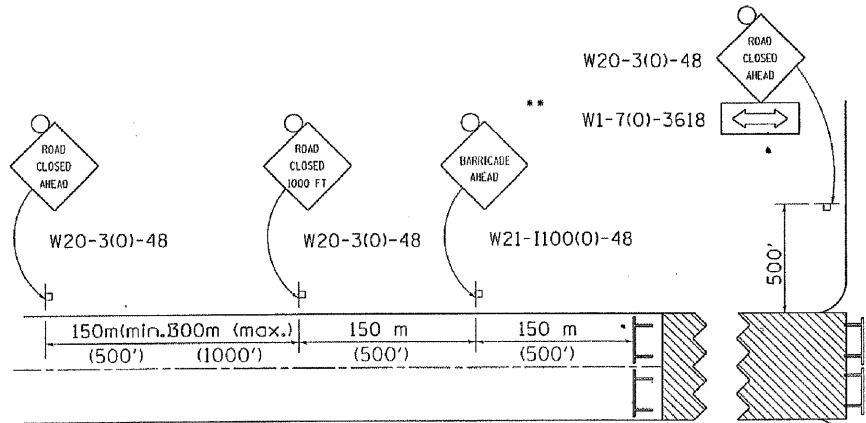


F.A. RTE.	SECTION	COUNTY	TOTAL SHEETS	SHEET NO.
5154	04-00343-00-BR	WINNEBAGO	92	92
STA. _____		TO STA. _____		
FED. ROAD DIST. NO. _____		ILLINOIS FED. AID PROJECT		

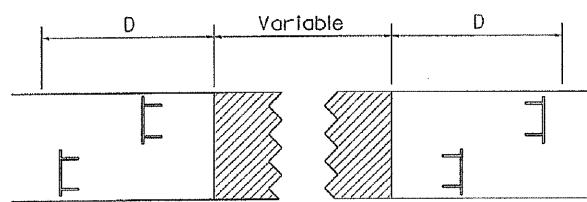
TRAFFIC CONTROL FOR ROAD CLOSURE

CONDITION II

Minor Sideroad Closure



ROAD CLOSED TO THRU TRAFFIC BARRICADE SET UP



Type III Barricades and R11-4-4830 signs shall be as shown in "Road Closed To All Thru Traffic" detail on Highway Standard 701901. If the distance "D" exceeds 600 m (2000') an additional set of barricades and R11-4-4830 shall be placed at each end of the work area.

SYMBOLS

- Work area
- Type III Barricade with Flashers
- Sign with flashing light

CONDITION I

Major Sideroad Closure

GENERAL NOTES

- Longitudinal dimensions may be adjusted to fit field conditions.
- When speed limit is less than 45mph, change sign spacing to 250' and change ROAD CLOSED 1000 FT to ROAD CLOSED 500 FT.
- Side roads requiring all three signs as shown in CONDITION I (Major Sideroad Closure), shall be listed in the special provision.

** Where local access is to be maintained, barricades are to be set up as shown in Road Closed to thru traffic. Type III Barricades and R11-2-4830 signs shall be as shown in "Road Closed To All Traffic" detail on Highway Standard 701901.

All dimensions are in millimeters (inches) unless otherwise shown.

TYPICAL APPLICATION FOR ROAD CLOSURE

FILE NAME =	USER NAME = #USER#	DESIGNED -	REVISD - 1-11-08
C:\Documents and Settings\neight\1\Desktop\1025standards.dwg	1025standards.dwg	DRAWN -	REVISD -
PLOT SCALE = 1:8000 1/2" = 1'		CHECKED -	REVISD -
PLOT DATE = Tue Jan 15 16:16:16 2008		DATE -	REVISD -

STATE OF ILLINOIS
DEPARTMENT OF TRANSPORTATION

REGION 2 / DISTRICT 2 STANDARD	
SCALE: _____	SHEET NO. _____ OF _____ SHEETS
STA. _____ TO STA. _____	

F.A. RTE.	SECTION	COUNTY	TOTAL SHEETS	SHEET NO.
_____	_____	_____	_____	_____
CONTRACT NO. _____				
FED. ROAD DIST. NO. _____ ILLINOIS FED. AID PROJECT				