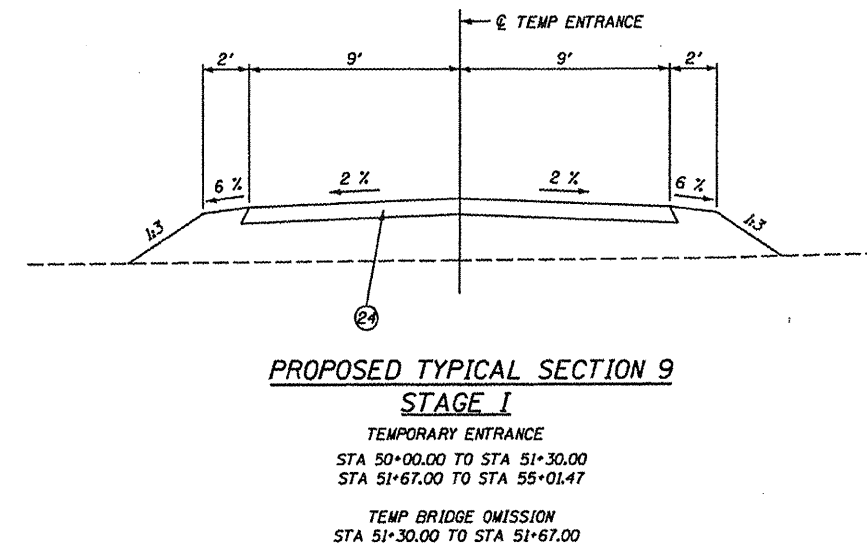
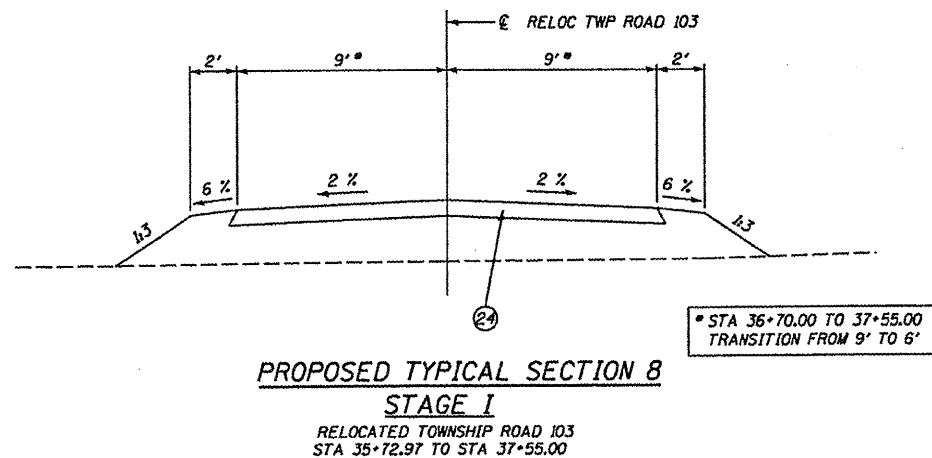
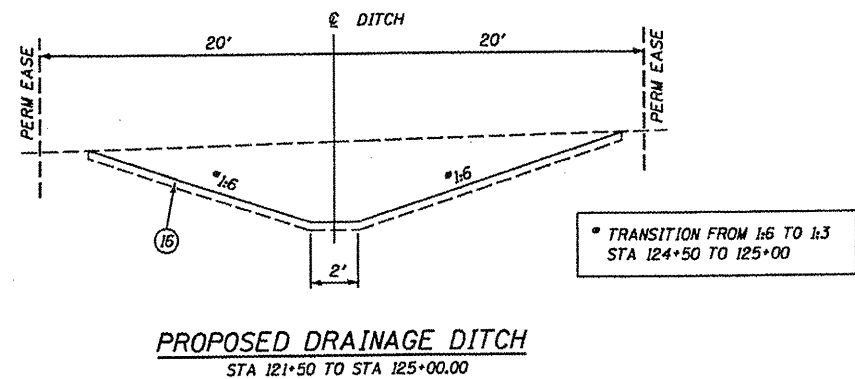
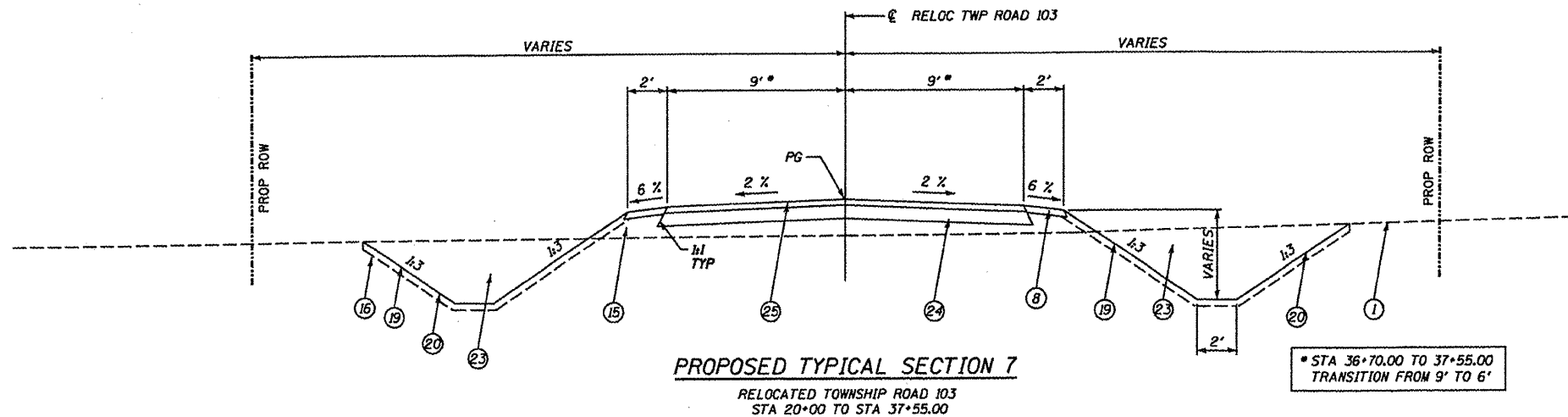


F.A.P. RTE.	SECTION	COUNTY	TOTAL SHEETS	SHEET NO.
64		PEORIA	186	18
STA.		TO STA.		
FED. ROAD DIST. NO.	ILLINOIS	IL RTE 29		

• (10.12)RS-6+1RS-4+10BIBR



LEGEND

- | | | | |
|--|---|---|--|
| <ul style="list-style-type: none"> ① EX GROUND LINE ② EX PCC PAVEMENT 7" (9" AT EDGES) ③ EX HMA OVERLAYS 7 3/4" TO 9" * ④ EX COMBINATION CONCRETE CURB AND GUTTER, TYPE M-4.04 ⑤ EX HMA SHOULDER 6" ⑥ EX HMA BASE COURSE 8" ⑦ EX AGGREGATE SHOULDER 6" ⑧ PR AGGREGATE SHOULDERS, TYPE B 4" (TYP) | <ul style="list-style-type: none"> ⑨ PR HMA SURFACE REMOVAL (VARIABLE DEPTH) ⑩ PR POLYMERIZED HMA SURFACE COURSE, MIX "D", N70 1 1/2" ⑪ PR POLYMERIZED LEVELING BINDER (MACHINE METHOD), IL 4.75 N50 3/4" ⑫ PR COMBINATION CONCRETE CURB & GUTTER, TYPE B-6.24 ⑬ PR GUARDRAIL AGGREGATE EROSION CONTROL ⑭ PR SUB BASE GRANULAR MATERIAL, TYPE A 12" ⑮ PR FILL AREA | <ul style="list-style-type: none"> ⑯ PR TOPSOIL FURNISH AND PLACE 4" ⑰ PR HMA BINDER COURSE, IL-19.0, N70, VAR. DEPTH (1" TO 1.78") ⑱ PR STEEL PLATE BEAM GUARD RAIL, TYPE A OR TRAFFIC BARRIER TERMINAL, TYPE 6 OR TRAFFIC BARRIER TERMINAL, TYPE 1 SPECIAL (TANGENT) ⑲ PR SEEDING, CLASS 2A ⑳ PR MULCH, METHOD 2 - USE PROCEDURES 1 & 2 ONLY ㉑ PR PAVEMENT MARKING ㉒ PR HMA SHOULDERS 8" | <ul style="list-style-type: none"> ㉓ PR EARTH EXCAVATION ㉔ PR AGGREGATE BASE COURSE, TY A 8" ㉕ PR HMA SURFACE COURSE, MIX "D", N50 3 1/2" ㉖ PR SUB-BASE GRANULAR MATERIAL, TY A 4" ㉗ PR HMA BINDER COURSE, IL - 19.0, N70, 1 1/2" |
|--|---|---|--|

COOMBE-BLOXDORF P.C.
Engineers / Land Surveyors
Springfield, Illinois
Design Firm License No. 184-002703

REVISIONS	
NAME	DATE

ILLINOIS DEPARTMENT OF TRANSPORTATION

**TYPICAL SECTIONS
PROPOSED TR 103**

SCALE: _____
DATE: AUG. 2008

DRAWN BY: CFC
CHECKED BY: MCB/GLS