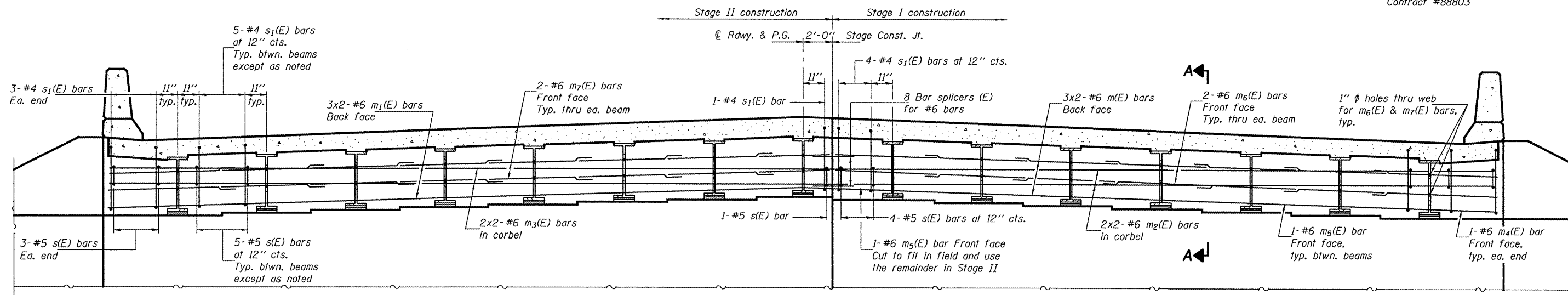


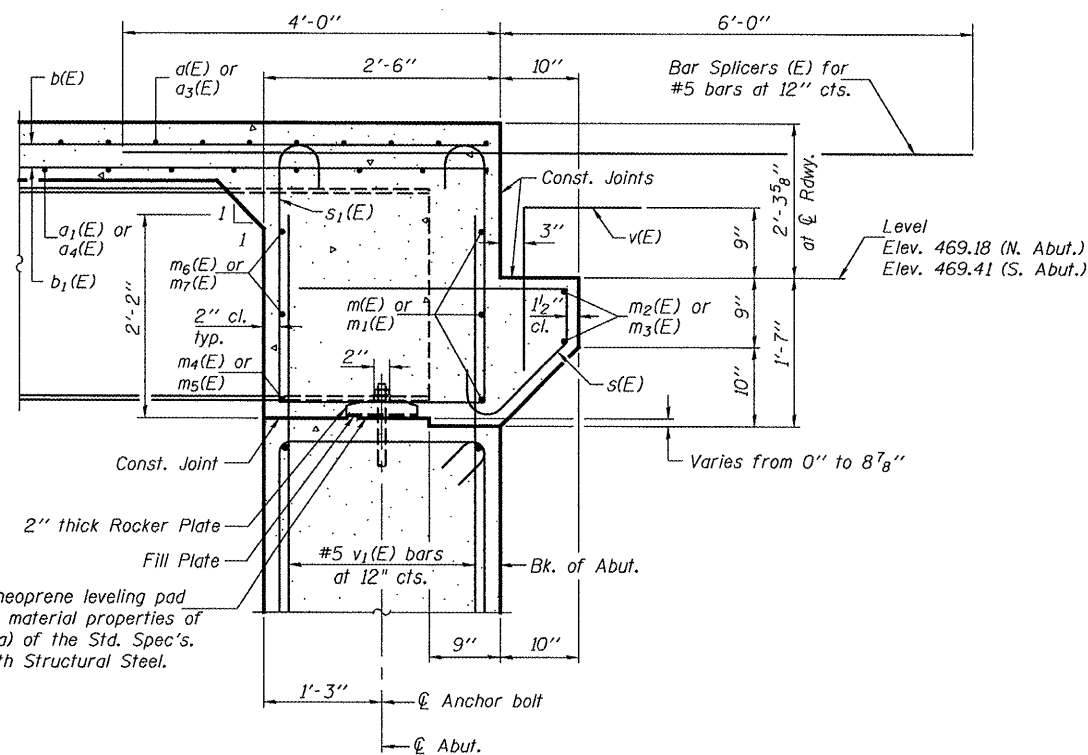
STATE OF ILLINOIS
DEPARTMENT OF TRANSPORTATION

ROUTE NO.	SECTION	COUNTY	SHEET	SHEET	SHEET NO. 12
FAP 64	(10B)BR	PEORIA	186	57	22 SHEETS
FED. ROAD DIST. NO. 7	ILLINOIS	FED. AID PROJECT	Contract #88803		



DIAPHRAGM AT SOUTH ABUTMENT
(North Abutment similar)

Notes: For details of bars s(E) and s₁(E) see sheet 11 of 22.
Bars indicated thus 3 x 2-#6 etc. indicates 3 lines of bars with 2 lengths per line.
Reinforcement bars in diaphragm are billed with superstructure on sheet 11 of 22.
Concrete in diaphragm is included with Concrete Superstructure on sheet 11 of 22.
The s(E) and s₁(E) bars shall be placed parallel to the beams. Spacing for these bars shall be at right angles to the beams.



MIN. BAR LAP
#6 bars = 2'-9"

SECTION A-A

DESIGNED	D.P.C.
CHECKED	D.F.Z.
DRAWN	h.f. duong F.L.L. r.b. carbonell
CHECKED	D.P.C./D.F.Z.

November 13, 2008
EXAMINED *Thomas J. Domagala*
PASSED *Ralph E. Anderson*
ENGINEER OF BRIDGES AND STRUCTURES

DIAPHRAGM DETAILS
F.A.P. RTE. 64 - SECTION (10B)BR
PEORIA COUNTY
STATION 80+69.5
STRUCTURE NO. 072-0198