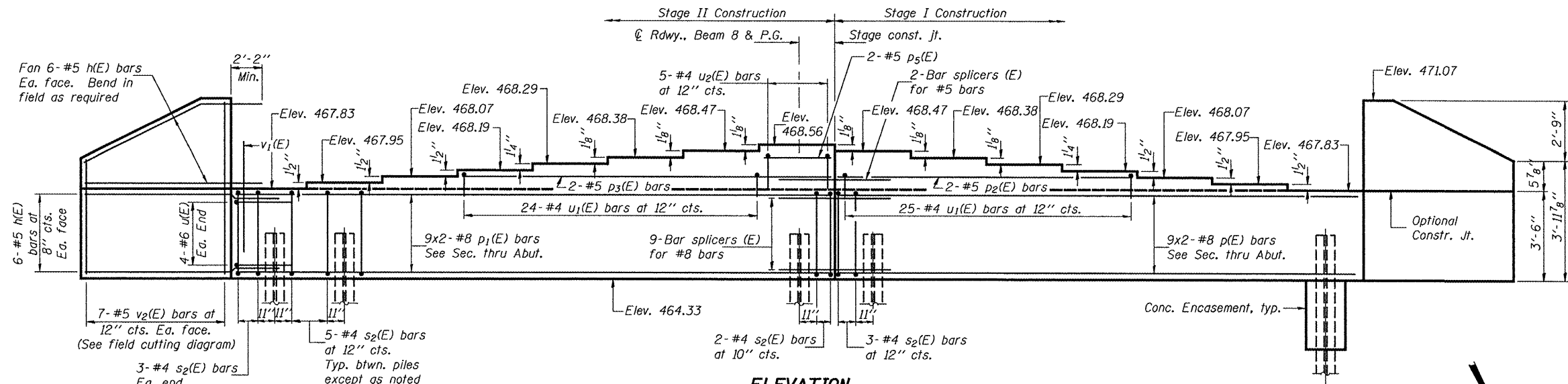


Notes: Four steps monolithically with cap.
See sheet 17 of 22 for bar splicer (E) details.
Space reinforcement in cap to miss anchor bolts.

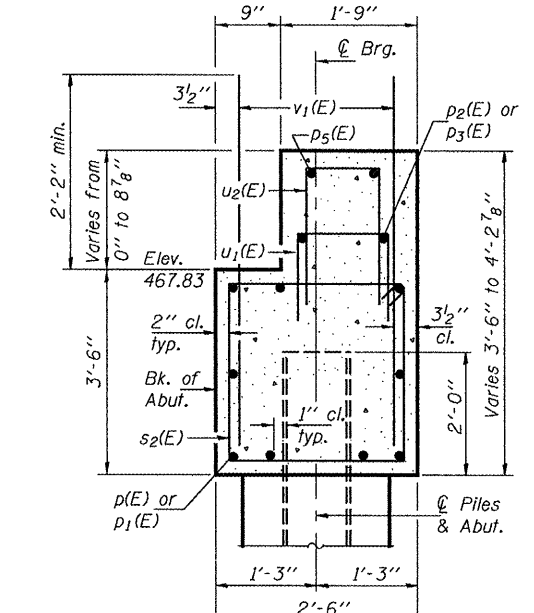
STATE OF ILLINOIS
DEPARTMENT OF TRANSPORTATION

ROUTE NO.	SECTION	COUNTY	SHEET	SHEET NO.
FAP 64	(10B)BR	PEORIA	186 60	22 SHEETS
FED. ROAD DIST. NO. 7	ILLINOIS	FED. AID PROJECT-		

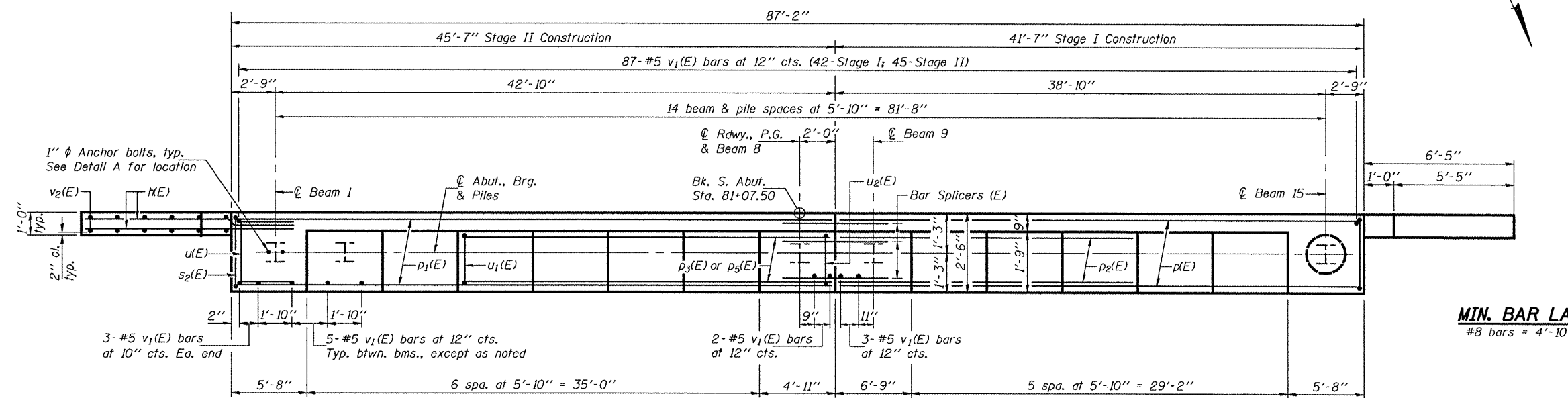
Contract #88803



ELEVATION



SEC. THRU ABUT.



PLAN

BILL OF MATERIAL

Bar	No.	Size	Length	Shape
h(E)	48	#5	8'-11"	—
p(E)	18	#8	23'-1"	—
p1(E)	18	#8	25'-1"	—
p2(E)	2	#5	24'-1"	—
p3(E)	2	#5	28'-1"	—
p4(E)	2	#5	4'-9"	—
s2(E)	76	#4	11'-5"	□
u(E)	8	#6	9'-6"	—
u1(E)	49	#4	3'-11"	—
u2(E)	5	#4	4'-7"	—
v1(E)	163	#5	4'-4"	—
v2(E)	14	#5	10'-0"	—

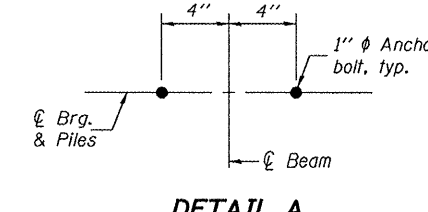
Concrete Structures	Cu. Yd.	33.7
Reinforcement Bars, Epoxy Coated	Pound	4600
Furnishing Steel Piles HP12x53	Foot	728
Test Pile Steel HP12x53	Each	1
Driving Piles	Foot	728
Structure Excavation	Cu. Yd.	207
Bar Splicers	Each	11
Concrete Encasement	Cu. Yd.	5.3

Bars indicated thus 9 x 2-#8 etc. indicates 9 lines of bars with 2 lengths per line.
For details of piles & concrete encasement, see sheet 16 of 22.

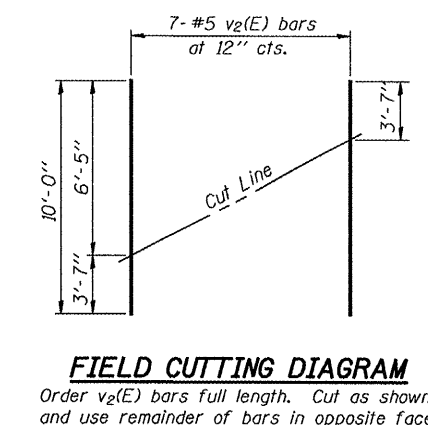
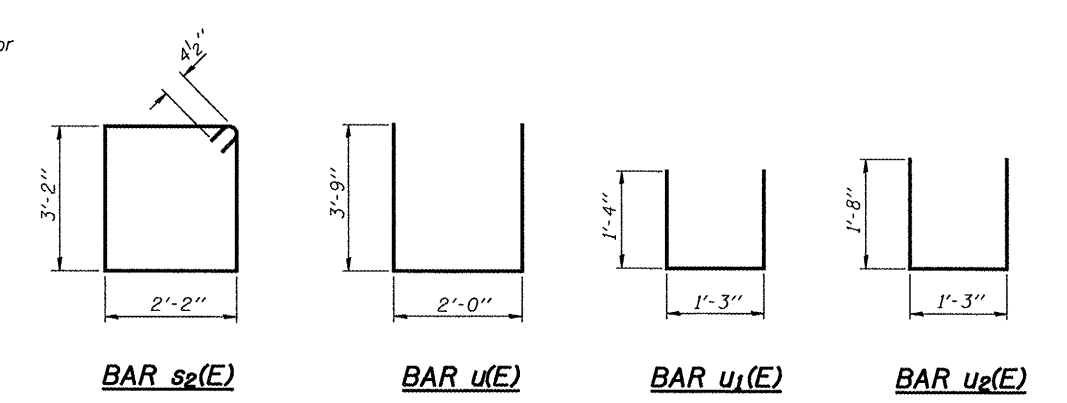
SOUTH ABUTMENT
F.A.P. RTE. 64 - SECTION (10B)BR
PEORIA COUNTY
STATION 80+69.5
STRUCTURE NO. 072-0198

PILE DATA

Type: Steel HP12x53
Nominal Required Bearing: 418 Kips
Factored Resistance Available: 209 Kips
Estimated Pile Length: 52'
No. Production Piles: 14
No. Test Piles: 1



DETAIL A



FIELD CUTTING DIAGRAM
Order v2(E) bars full length. Cut as shown and use remainder of bars in opposite face.

DESIGNED	D.P.C.
CHECKED	D.F.Z.
DRAWN	h.t. duong F.L.L. r.b. carbonell
CHECKED	D.P.C./D.F.Z.

November 13, 2008
EXAMINED *Thomas J. Demagallo*
PASSED *Ralph E. Anderson*
ENGINEER OF BRIDGES AND STRUCTURES