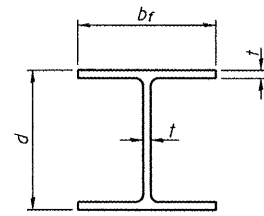


STATE OF ILLINOIS
DEPARTMENT OF TRANSPORTATION

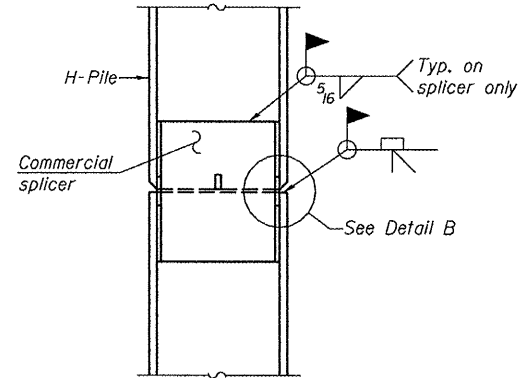
ROUTE NO.	SECTION	COUNTY	SHEET NO.	SHEET	SHEET NO. 16 22 SHEETS
FAP 64	(10B)BR	PEORIA	186	61	
FED. ROAD DIST. NO. 7	ILLINOIS	FED. AID PROJECT			

Contract #88803

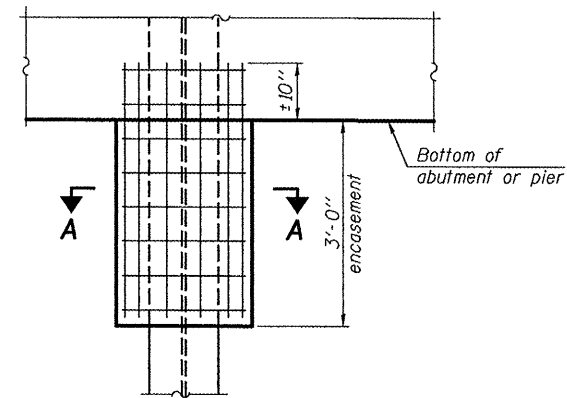


STEEL PILE TABLE

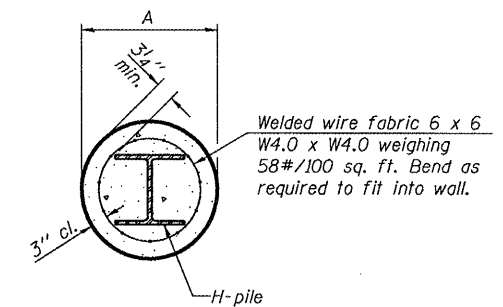
Designation	Depth d	Flange width b _f	Web and Flange thickness t	Encasement diameter A
HP 14x117	14 1/4"	14 7/8"	13/16"	30"
x102	14"	14 3/4"	1/16"	30"
x89	13 7/8"	14 3/4"	5/8"	30"
x73	13 5/8"	14 3/8"	1/2"	30"
HP 12x84	12 1/4"	12 1/4"	1/16"	24"
x74	12 1/8"	12 1/4"	5/8"	24"
x63	12"	12 1/8"	1/2"	24"
x53	11 3/4"	12"	7/16"	24"
HP 10x57	10"	10 1/4"	9/16"	24"
x42	9 3/4"	10 1/8"	7/16"	24"
HP 8x36	8"	8 1/8"	7/16"	18"



ELEVATION



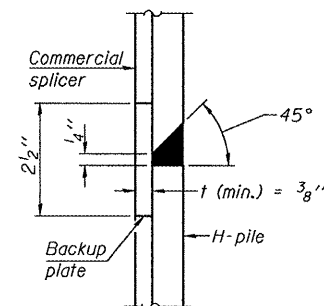
ELEVATION



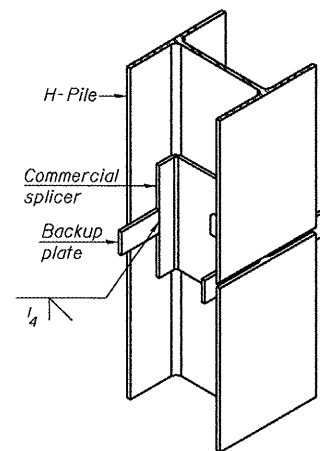
SECTION A-A

Note: Forms for encasement may be omitted when soil conditions permit.

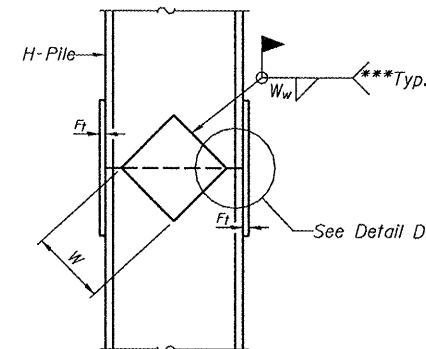
PILE ENCASEMENT



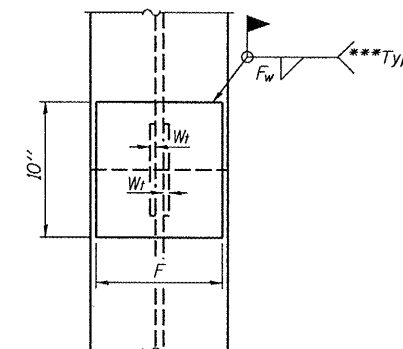
DETAIL "B"



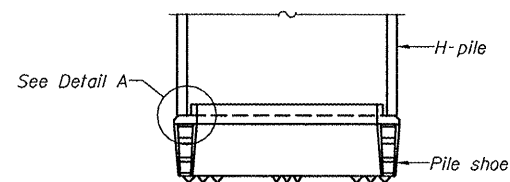
ISOMETRIC VIEW



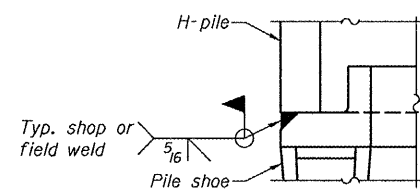
ELEVATION



END VIEW

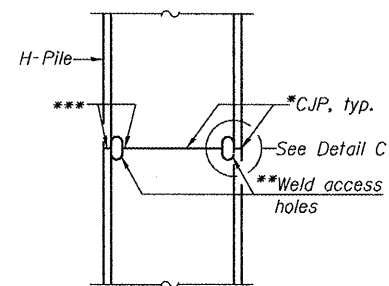


ELEVATION

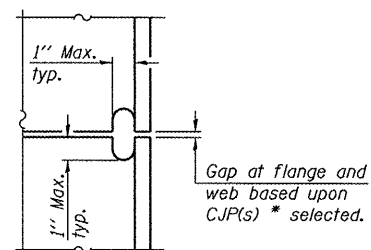


DETAIL A

H-PILE SHOE ATTACHMENT

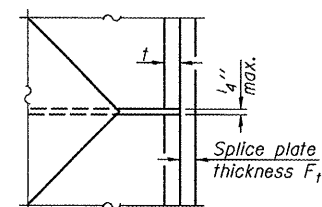


ELEVATION



DETAIL C

COMPLETE PENETRATION WELD SPLICE



DETAIL D

WELDED PLATE FIELD SPLICE

Designation	F	F _t	F _w	W	W _t	W _w
HP 14x117	12 1/2"	1"	7/8"	7 3/4"	5 1/2"	1 1/2"
x102	12 1/2"	7/8"	3/4"	7 3/4"	5 1/2"	1 1/2"
x89	12 1/2"	3/4"	1/16"	7 3/4"	5 1/2"	1 1/2"
x73	12 1/2"	5/8"	3/16"	7 3/4"	5 1/2"	1 1/2"
HP 12x84	10"	7/8"	1/16"	6 1/2"	5 1/2"	1 1/2"
x74	10"	7/8"	1/16"	6 1/2"	5 1/2"	1 1/2"
x63	10"	5/8"	1/2"	6 1/2"	1 1/2"	3/8"
x53	10"	5/8"	1/2"	6 1/2"	1 1/2"	3/8"
HP 10x57	8"	3/4"	3/16"	5 1/4"	1 1/2"	3/8"
x42	8"	5/8"	9/16"	5 1/4"	1 1/2"	3/8"
HP 8x36	7"	5/8"	7/16"	4 1/4"	1 1/2"	3/8"

Note: The steel H-piles shall be according to AASHTO M270 Grade 50.

*Use joint conforming to Figure 3.4 in AWS D1.1, Structure Welding Code-Steel.

**Preparation per Fig. 5.2 in AWS D1.1, Structure Welding Code-Steel.

***Interrupt welds 1/4" from end of each pile.

HP PILE DETAILS
F.A.P. RTE. 64 - SECTION (10B)BR
PEORIA COUNTY
STATION 80+69.5
STRUCTURE NO. 072-0198

DESIGNED	D.P.C.
CHECKED	D.F.Z.
DRAWN	h.f. duong
CHECKED	D.P.C./D.F.Z.

November 13, 2008
EXAMINED *Thomas J. Domagala*
PASSED *Ralph E. Anderson*
ENGINEER OF BRIDGE DESIGN
ENGINEER OF BRIDGES AND STRUCTURES

F-HP 5-16-08