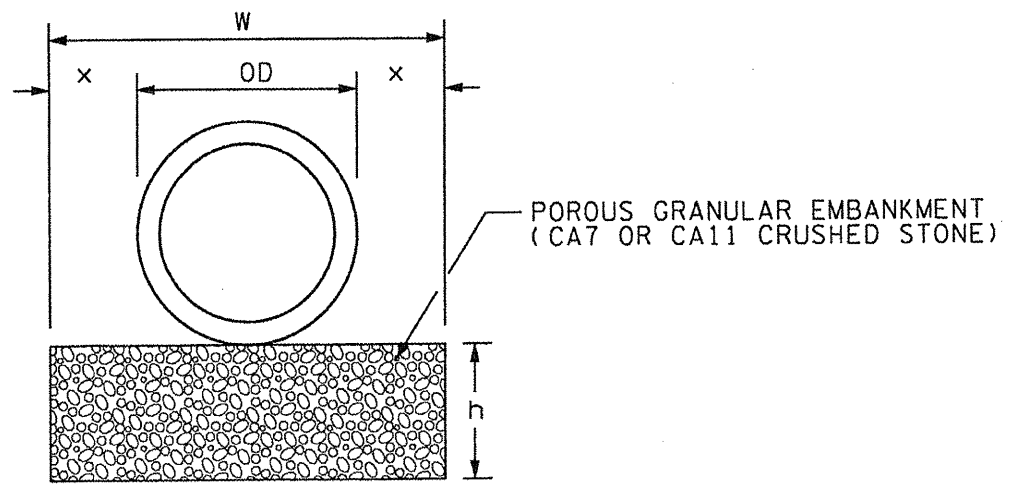
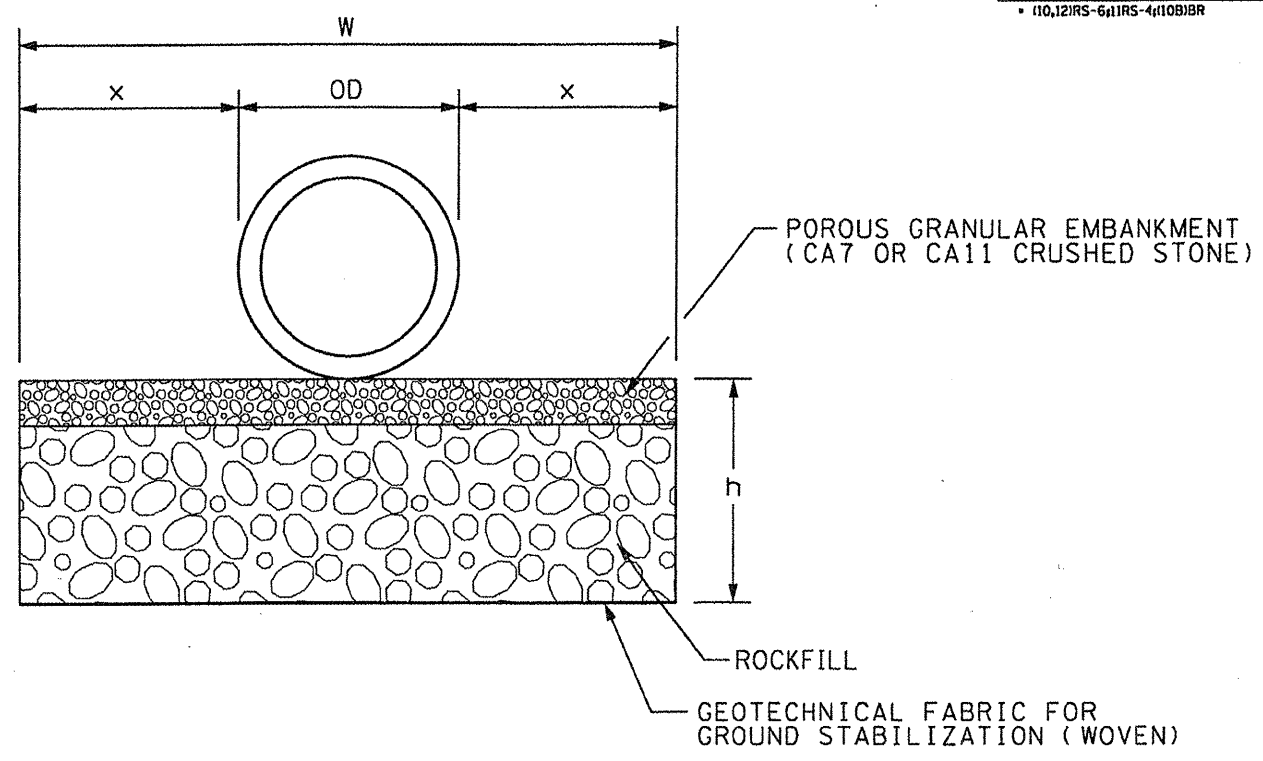


F.A.P. R.T.E.	SECTION	COUNTY	TOTAL SHEETS	SHEET NO.
64	*	PEORIA	183	70
FED. AID PROJECT				
* 110,121RS-6+11RS-4(110)BR				



ALTERNATE I: FOR 12" TO 18" UNDERCUT

CULVERT LOCATION	UNDERCUT			
	DEPTH	WIDTH		
	h	x	OD	W
STA 84+73 - NORTH EXTENSION	3'	2' 6"	7'	12'
STA 84+73 - SOUTH EXTENSION	3'	2' 6"	7'	12'



ALTERNATE II: FOR 18" TO 36" UNDERCUT

GENERAL NOTES:

- Undercut if the Dynamic Cone Penetrometer tests indicate soil strength is less than 1 ton/sq ft.
- DEFINITIONS:  
 OD = Outside Diameter or outside width of box culvert  
 h = Depth of undercut (for precast box culverts, the upper 6" is included in the cost of culvert).  
 x = h or min. width specified in Sec. 542.04, which ever is greater for pipe culverts.  
 x = h or minimum 2 feet, which ever is greater for box culverts.  
 W = Width of undercut = 2x + OD
- For undercuts greater than 36", use Alternate II with undercut treatments as directed by the District Geotechnical Engineer.

CULVERT LOCATION	REM. & DISP. OF UNSUITABLE MATERIAL				GEOTECH. FABRIC FOR GND. STAB.	ROCKFILL, FOUNDATION	PGE
	DEPTH	WIDTH	LENGTH	QUANTITY			
	h	W	L	CU YD			
STA 84+73 - NORTH EXTENSION	3'	12'	12.5'	16.67	16.67	26.25	26.25
STA 84+73 - SOUTH EXTENSION	3'	12'	20.5'	27.33	27.33	43.05	43.05
TOTALS				44	44	69	69

All dimensions are in Inches (millimeters) unless otherwise noted.

DATE	REVISIONS	BY

ILLINOIS DEPARTMENT OF TRANSPORTATION  
**SPECIAL DETAIL SHEET**

**UNSUITABLE EXCAVATION TREATMENT FOR CULVERTS**

SCALE: NOT DRAWN TO SCALE      DRAWN BY HZS  
 DATE 9-7-2007      CHECKED BY