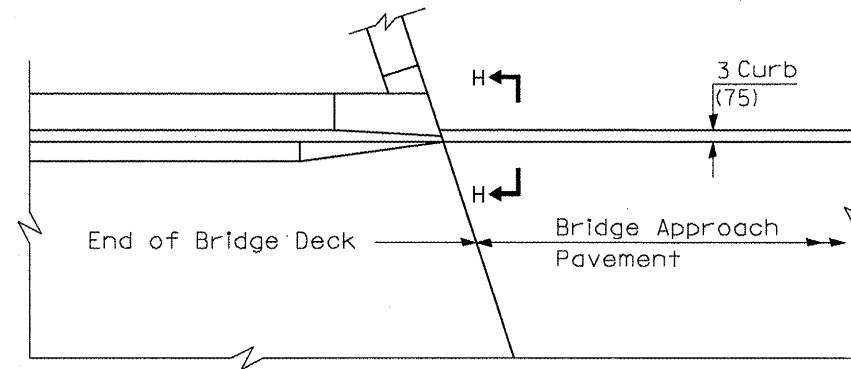
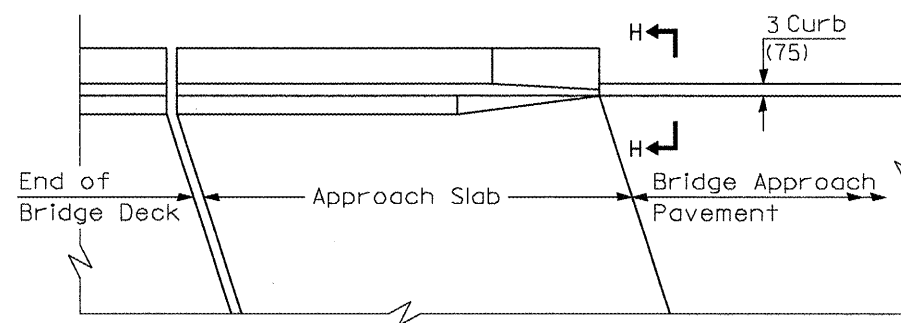


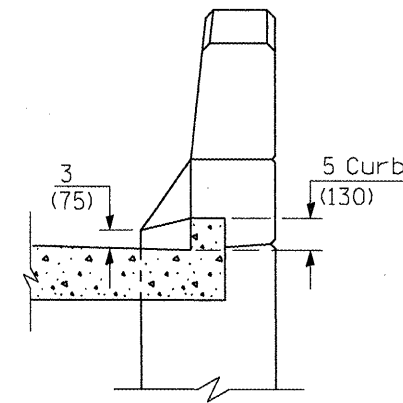
**PARAPET TO CURB TRANSITION
PILE BENT ABUTMENT**



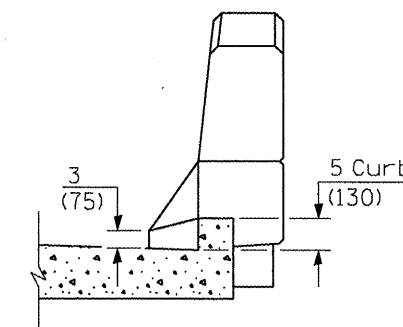
**PARAPET TO CURB TRANSITION
INTEGRAL ABUTMENT**



**PARAPET TO CURB TRANSITION
VAULTED ABUTMENT**



SECTION I - I



SECTION H - H

FILE NAME =	USER NAME = brucebm	DESIGNED -	REVISED -
C:\Documents and Settings\hudsonme\Local Settings\Temporary Internet Files\OLK97\pDRAWN detai.dgn		CHECKED -	REVISED -
PLOT SCALE = 48,0000 ' / IN.		DATE -	REVISED -
PLOT DATE = 10/17/2008			

**STATE OF ILLINOIS
DEPARTMENT OF TRANSPORTATION**

**BRIDGE APPROACH PAVEMENT
DETAIL**

NOT TO SCALE SHEET NO. 4 OF 4 SHEETS

F.A.U. RTE.	SECTION	COUNTY	TOTAL SHEETS	SHEET NO.
64	(10B)BR	PEORIA	186	133
CONTRACT NO. 88803				
FED. ROAD DIST. NO. [ILLINOIS] FED. AID PROJECT				