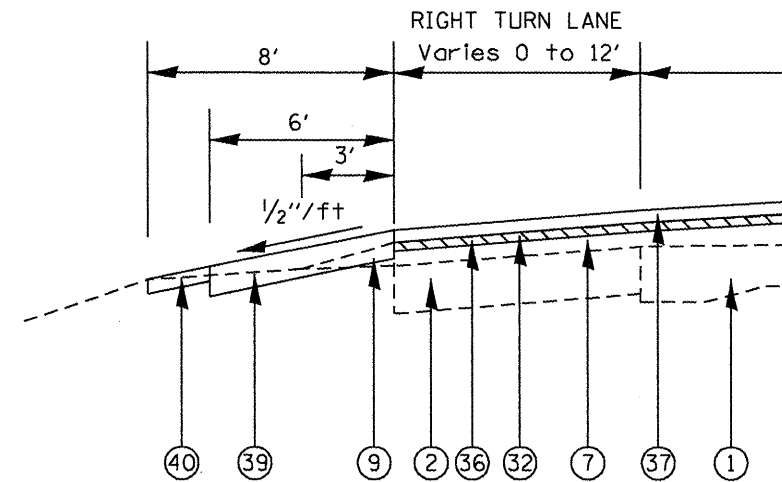
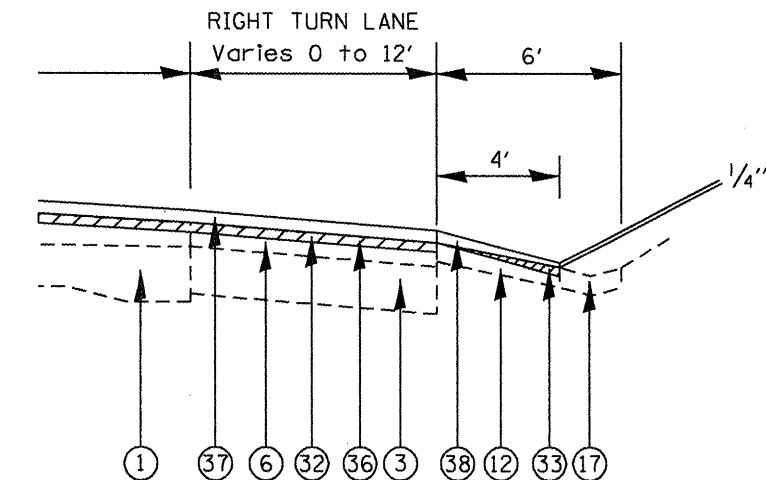


TURN LANE DETAIL #1  
SOUTHBOUND RIGHT TURN LANE  
RT STA 152+76 TO 157+21



TURN LANE DETAIL #2  
NORTHBOUND RIGHT TURN LANE  
LT STA 176+68 TO 181+50



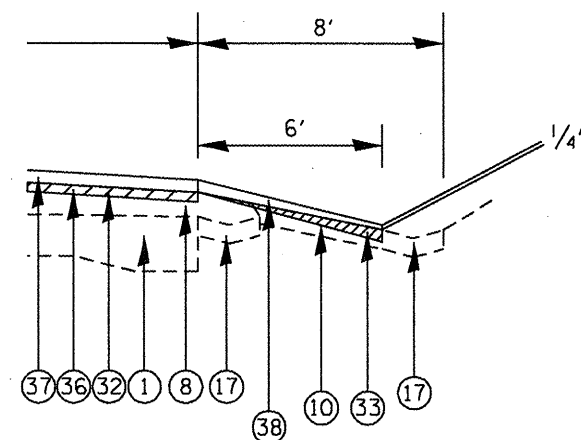
TURN LANE DETAIL #3  
SOUTHBOUND RIGHT TURN LANE  
RT STA 241+08 TO 244+87

LEGEND

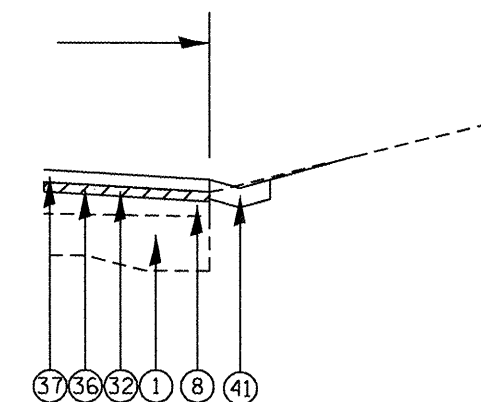
- ① EXIST. 9"-7"-9" P.C.C. PAVEMENT
- ② EXIST. 8" P.C.C. PAVEMENT
- ③ EXIST. 10" P.C.C. PAVEMENT
- ④ EXIST. P.C.C. BRIDGE DECK
- ⑤ EXIST. BITUMINOUS OVERLAY
- ⑥ EXIST. BITUMINOUS OVERLAY 3"
- ⑦ EXIST. BITUMINOUS OVERLAY 7 3/4" TO 8 3/4"
- ⑧ EXIST. BITUMINOUS OVERLAY 8" TO 10"
- ⑨ EXIST. AGGREGATE SHOULDER
- ⑩ EXIST. 6" STABILIZED SHOULDER (BAM)
- ⑪ EXIST. BITUMINOUS SHOULDER 1" TO 2"
- ⑫ EXIST. BITUMINOUS SHOULDER 6"
- ⑬ EXIST. BITUMINOUS SHOULDER 10"
- ⑭ EXIST. BITUMINOUS MEDIAN 12"
- ⑮ EXIST. M-4.04 CCC & G
- ⑯ EXIST. M-6.06 CCC & G
- ⑰ EXIST. TYPE B GUTTER
- ⑱ EXIST. SIDEWALK
- ⑲ EXIST. BRIDGE PARAPET
- ⑳ EXIST. CORRUGATED MEDIAN
- ㉑ EXIST. SB-6.06 CONCRETE MEDIAN

LEGEND

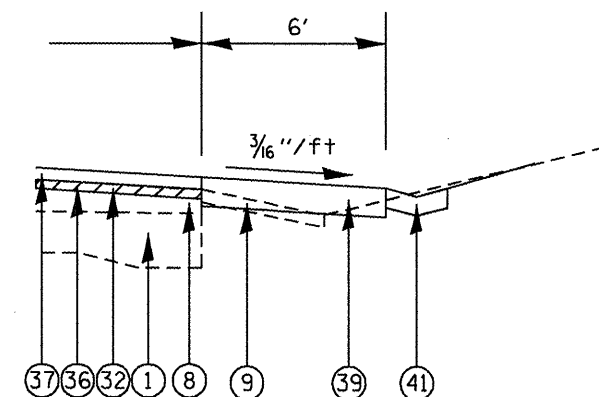
- ⑳ PROP. CENTER JOINT REPAIR SYSTEM
- ㉑ PROP. HMA SURF. REMOVAL 1 1/2"
- ㉒ PROP. HMA SURF. REMOVAL VARIABLE 0" TO 1 1/4"
- ㉓ PROP. BIT. SHOULDER REMOVAL
- ㉔ PROP. BIT. BINDER COURSE 1 1/4"
- ㉕ PROP. POLY. LVL. BNDR. (MACH. METH.) IL-4.75, N50 3/4"
- ㉖ PROP. POLY. HMA SURF CSE MIX "D", N70 1 1/2"
- ㉗ PROP. HMA SHOULDER 1 1/2"
- ㉘ PROP. HMA SHOULDER 8"
- ㉙ PROP. AGG. SHOULDER TY B
- ㉚ PROP. TYPE B GUTTER



SHOULDER DETAIL #1  
RT STA 175+50 TO 182+50



SHOULDER DETAIL #2  
RT STA 201+49 TO 205+08



SHOULDER DETAIL #3  
RT STA 283+25 TO 284+85

FILE NAME = c:\projects\129\moss\general.dgn

USER NAME = hudelsonne  
PLOT SCALE = 100.0000 ' / IN.  
PLOT DATE = 10/20/2008

DESIGNED -  
DRAWN -  
CHECKED -  
DATE -  
REVISED -  
REVISED -  
REVISED -  
REVISED -

STATE OF ILLINOIS  
DEPARTMENT OF TRANSPORTATION

TYPICAL SECTIONS

SCALE: SHEET NO. OF SHEETS STA. TO STA.

F.A.P. RTE.	SECTION	COUNTY	TOTAL SHEETS	SHEET NO.
64	10,12,15,6,11,15,4,10,11,12,13,14,15,16,17,18,19,20,21,22,23,24,25,26,27,28,29,30,31,32,33,34,35,36,37,38,39,40,41,42,43,44,45,46,47,48,49,50,51,52,53,54,55,56,57,58,59,60,61,62,63,64,65,66,67,68,69,70,71,72,73,74,75,76,77,78,79,80,81,82,83,84,85,86,87,88,89,90,91,92,93,94,95,96,97,98,99,100	PEORIA	186	138
FED. ROAD DIST. NO. [ILLINOIS] FED. AID PROJECT				

CONTRACT NO. 88803