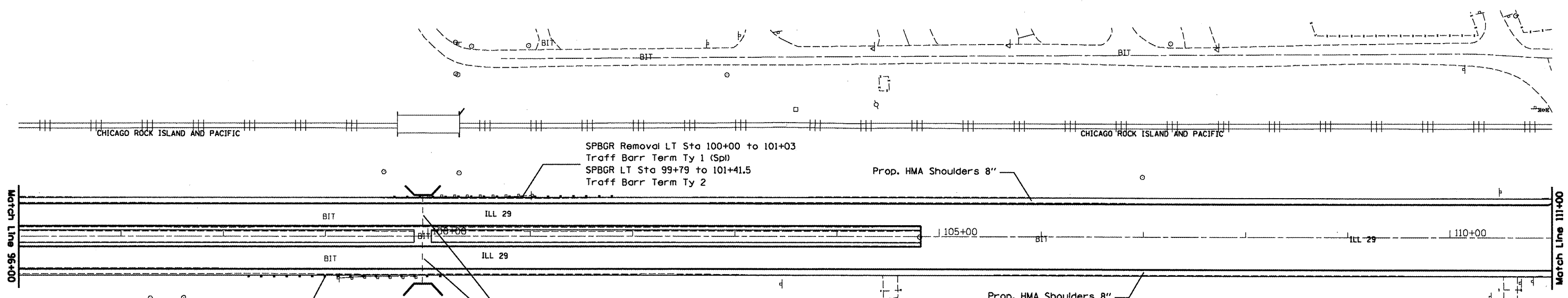
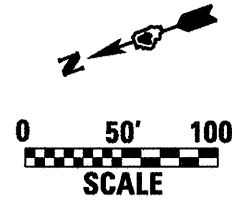


Notes: For Proposed Median
Sta 88+89 to 91+82.31 and
Sta 94+13.70 to 95+19.22 see
Section 2



SPBGR Removal RT Sta 99+11 to 99+89
Traff Barr Term Ty 1 (Spl)
SPBGR RT Sta 98+63 to 100+00.5
Traff Barr Term Ty 2

Note: Taper Poly Lvl Bndr from
3/4" to 0" from Sta 99+73 to 99+88
No Poly Lvl Bndr across Bridge
(Sta 99+88 to 100+04)
Taper Poly Lvl Bndr from
0" to 3/4" from Sta 100+04 to 100+19



FILE NAME = c:\projects\1129\moss\general.dgn	USER NAME = hudsonme	DESIGNED -	REVISED -	STATE OF ILLINOIS DEPARTMENT OF TRANSPORTATION	PROPOSED PLAN			F.A.P. RTE.	SECTION	COUNTY	TOTAL SHEETS	SHEET NO.
	PLOT SCALE = 100.0000' / IN.	DRAWN -	REVISED -					64	(10,12)RS-6(11RS-4(10B)BR	PEORIA	186	143
	PLOT DATE = 10/20/2008	CHECKED -	REVISED -					CONTRACT NO. 88803				
	DATE -	REVISED -		SCALE:	SHEET NO.	OF SHEETS	STA.	TO STA.	FED. ROAD DIST. NO. ILLINOIS FED. AID PROJECT			