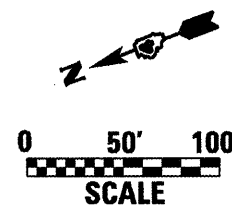
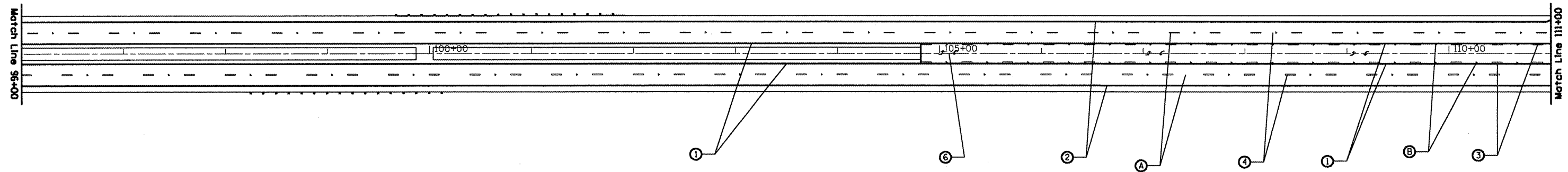


1. 4" Yellow Solid
2. 4" White Solid
3. 4" Yellow Skip Dash
4. 6" White Skip Dash
5. 8" White Solid
6. Letters & Arrows
A. One-Way Crystal @ 80' C.-C.
B. Two-Way Amber @ 40' C.-C.



FILE NAME =
 c:\projects\1129\moss\general.dgn

USER NAME = hudelsonme
 PLOT SCALE = 100.0000' / IN.
 PLOT DATE = 10/20/2008

DESIGNED -	REVISED -
DRAWN -	REVISED -
CHECKED -	REVISED -
DATE -	REVISED -

**STATE OF ILLINOIS
 DEPARTMENT OF TRANSPORTATION**

PAVEMENT MARKINGS

SCALE:	SHEET NO.	OF	SHEETS	STA.	TO STA.
--------	-----------	----	--------	------	---------

F.A.P. RTE.	SECTION	COUNTY	TOTAL SHEETS	SHEET NO.
64	(10,12)RS-6(11)RS-4(10)IBR	PEORIA	186	150
CONTRACT NO. 88803				
FED. ROAD DIST. NO.	ILLINOIS FED. AID PROJECT			