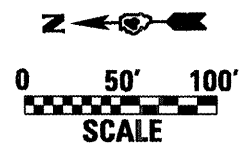
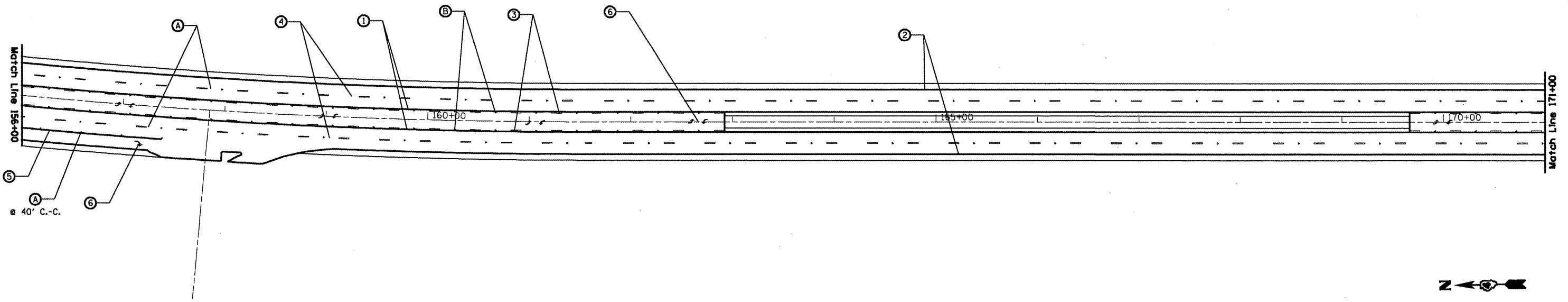


1. 4" Yellow Solid
2. 4" White Solid
3. 4" Yellow Skip Dash
4. 6" White Skip Dash
5. 8" White Solid
6. Letters & Arrows
A. One-Way Crystal @ 80' C.-C.
B. Two-Way Amber @ 40' C.-C.



FILE NAME = c:\projects\129moss\general.dgn	USER NAME = hudsonma	DESIGNED -	REVISED -	STATE OF ILLINOIS DEPARTMENT OF TRANSPORTATION	PAVEMENT MARKINGS			F.A.P. RTE.	SECTION	COUNTY	TOTAL SHEETS	SHEET NO.
	PLOT SCALE = 100.0000' / IN.	DRAWN -	REVISED -					64	(10,12,15-6,11,13-4)(10)BIBR	PEORIA	186	152
	PLOT DATE = 10/20/2008	CHECKED -	REVISED -					CONTRACT NO. 88803				
	DATE -	REVISED -		SCALE:	SHEET NO.	OF SHEETS	STA.	TO STA.	FED. ROAD DIST. NO.	ILLINOIS FED. AID PROJECT		