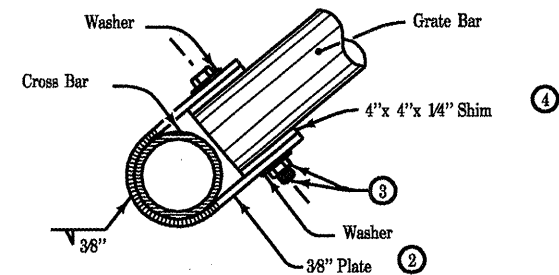
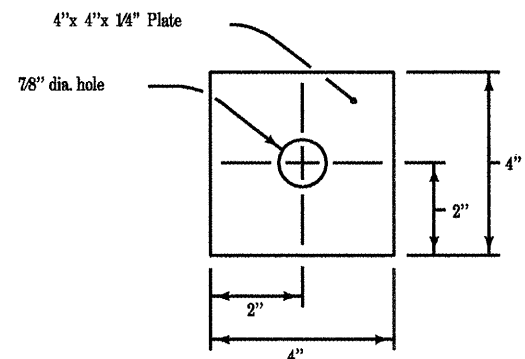


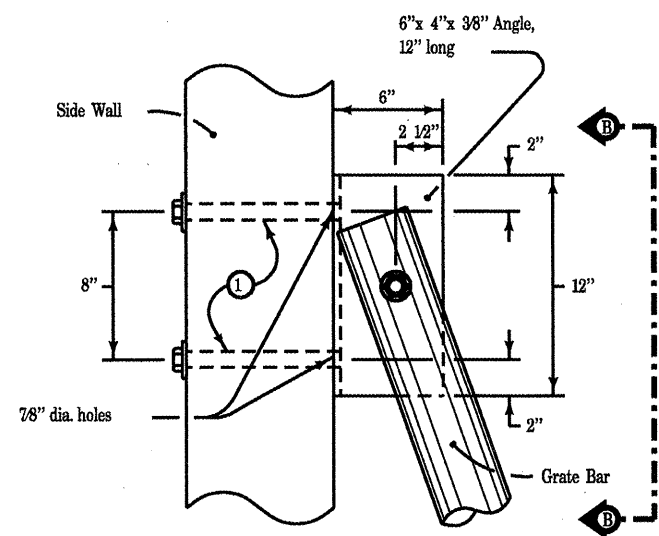
DETAIL 'A'  
TOP VIEW



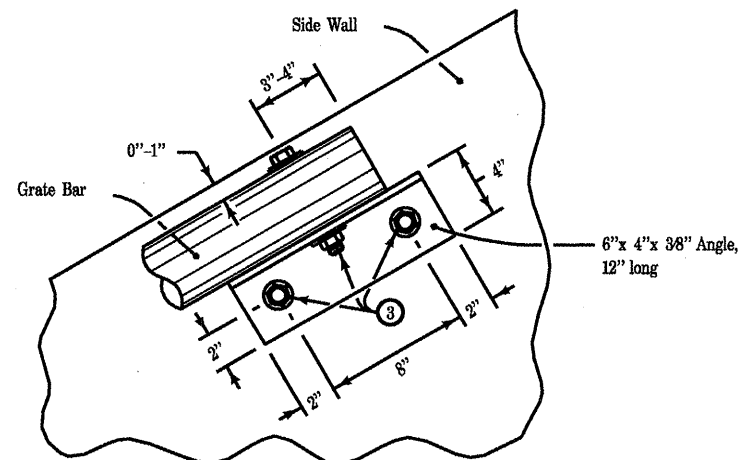
SECTION A-A



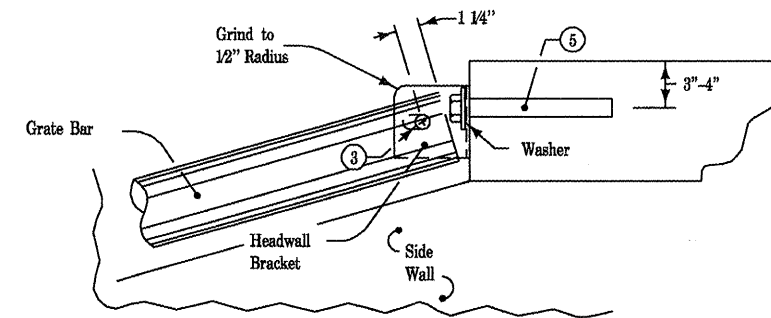
SHIM DETAIL



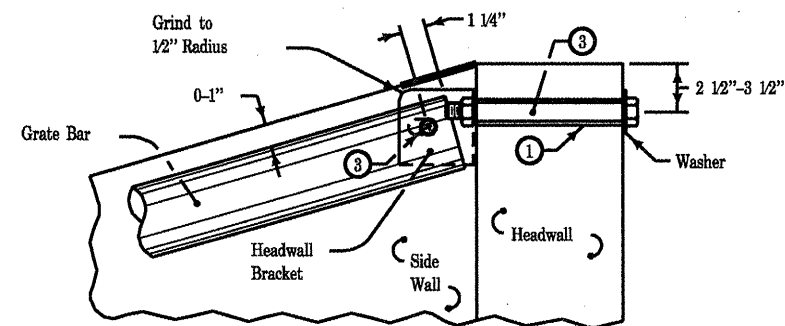
DETAIL 'B'  
TOP VIEW



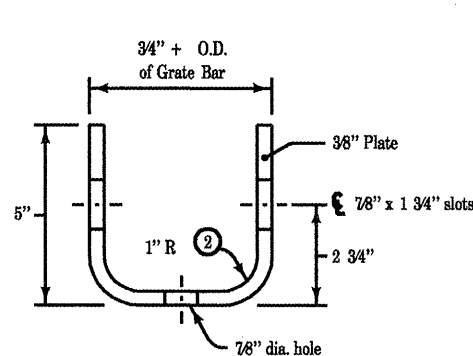
SECTION B-B



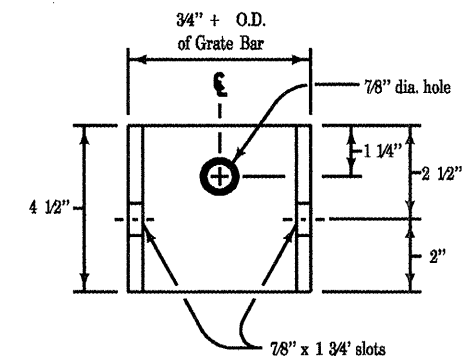
FOR PRECAST END SECTION  
SECTION C-C  
(From Detail Sheet 1 Typical Plan)



FOR CIP END SECTION  
SECTION C-C  
(From Detail Sheet 1 Typical Plan)



HEADWALL BRACKET  
TOP VIEW



HEADWALL BRACKET  
FRONT VIEW

- ① Holes are to be made with equipment designed to cut through concrete and reinforcing steel. All holes shall be 7/8 inch diameter.
- ② All bending of plates or strips shall be accomplished without cracking material.
- ③ 3/4 inch bolt, lock nut and washers. All holes shall be 7/8 inch diameter.
- ④ Shim thickness equal to difference in diameters of Grate Bar and Cross Bar.
- ⑤ 3/4 X 5 inch anchor bolt with lock washers.

For additional information,  
see Detail Sheet 1  
Safety Grate Treatment.

FILE NAME =	USER NAME = brucebm	DESIGNED -	REVISED -	<b>STATE OF ILLINOIS DEPARTMENT OF TRANSPORTATION</b>	<b>GRATING FOR BOX CULVERT WITH WING WALLS</b>	FAP64	SECTION	COUNTY	TOTAL SHEETS	SHEET NO.	
S:\GEN\DRAW\STD&PLNS\Squad1\ Safety	ate\grate std.dgn	DRAWN -	REVISED -			IL29	(10,12)RS-6(1)RS-4(1)OB)R	PEORIA	186	158	
	PLOT SCALE = 2100.0000 / IN.	CHECKED -	REVISED -			<b>CONTRACT NO. 88803</b>					
	PLOT DATE = 10/20/2008	DATE -	REVISED -			SCALE:	SHEET NO.	OF SHEETS	STA.	TO STA.	FED. ROAD DIST. NO.