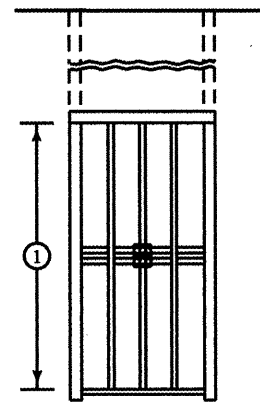
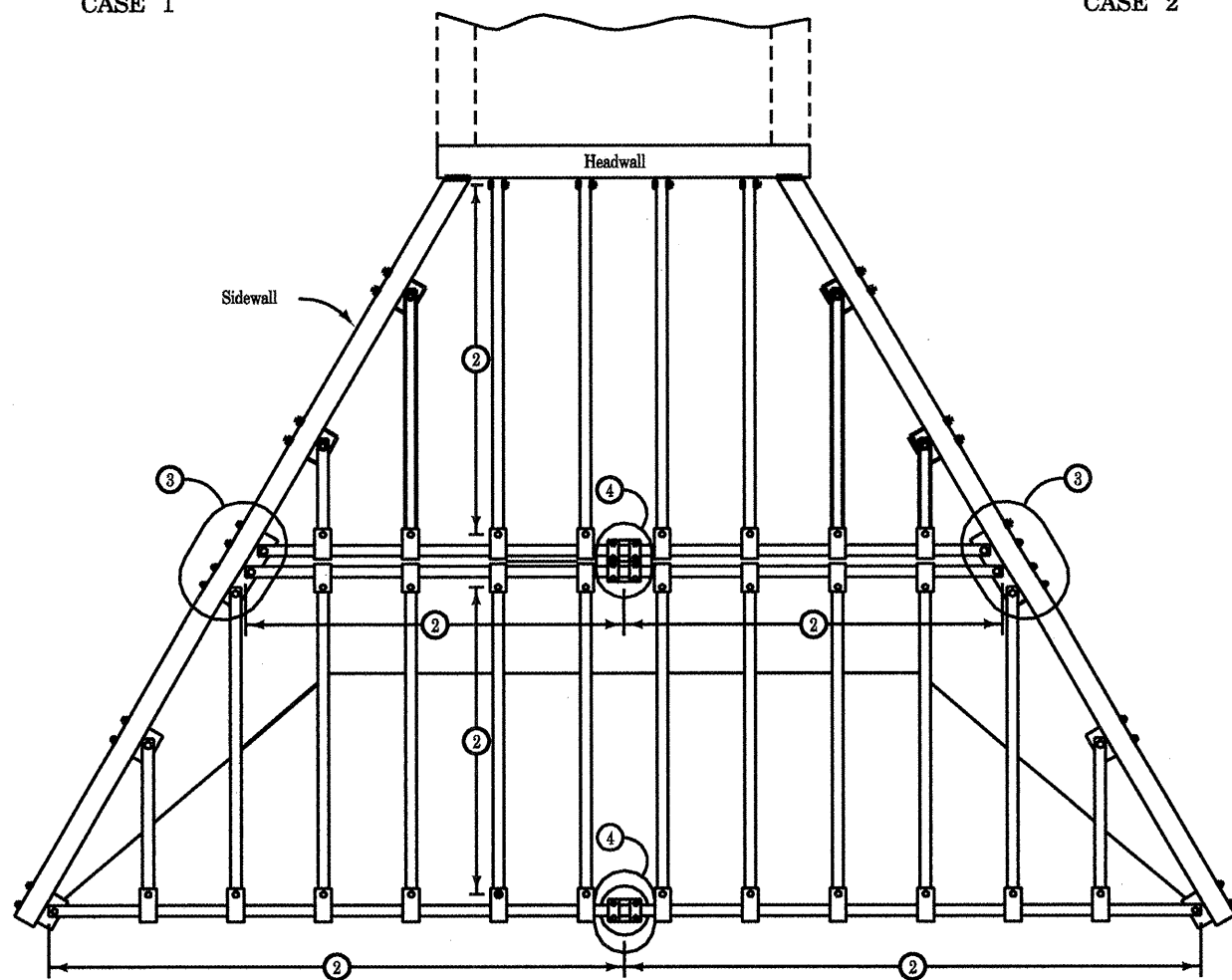


CASE 1



CASE 2



TYPICAL INSTALLATION PLAN
WITH MIDSPAN SUPPORT

GENERAL NOTES:

This Detail Sheet illustrates fabrication and installation of various types of safety grate installations requiring a midspan support.

See Detail Sheet 1 for information concerning pipe sizes, skew angle determination, installation types, and general notes which apply to this sheet.

- ① Midspan support required when this dimension becomes more than 20 feet.
- ② Length of span (20 feet maximum).
- ③ See Detail 'C' on Detail Sheet 4.
- ④ See Detail 'D' on Detail Sheet 4.

FILE NAME =	USER NAME = brucebm	DESIGNED -	REVISED -	STATE OF ILLINOIS DEPARTMENT OF TRANSPORTATION	GRATING FOR BOX CULVERT WITH WING WALLS	FAP64	SECTION	COUNTY	TOTAL	SHEET	
S:\GEN\DRAW\STD&PLNS\Squad\1 Safety G	ete\grate std.dgn	DRAWN -	REVISED -			IL29	(10,12)RS-6+1RS-4+1OBIBR	PEORIA	186	159	
PLOT SCALE = 2100.0000 ' / IN.		CHECKED -	REVISED -			CONTRACT NO. 88803					
PLOT DATE = 10/20/2008		DATE -	REVISED -			SCALE:	SHEET NO.	OF	SHEETS	STA.	TO STA.