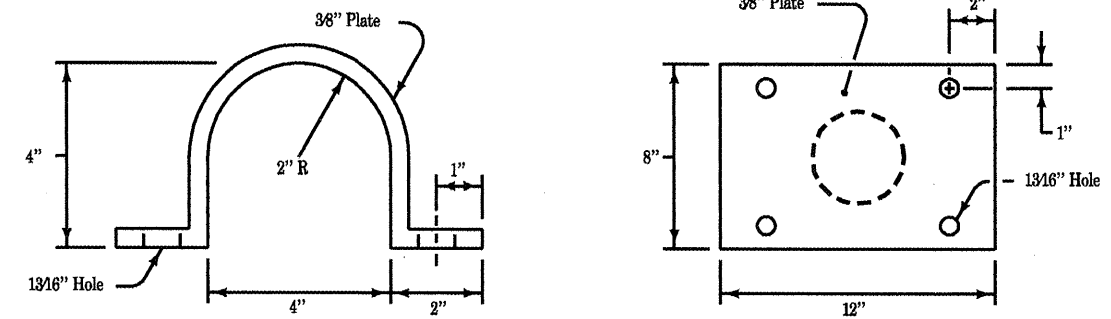


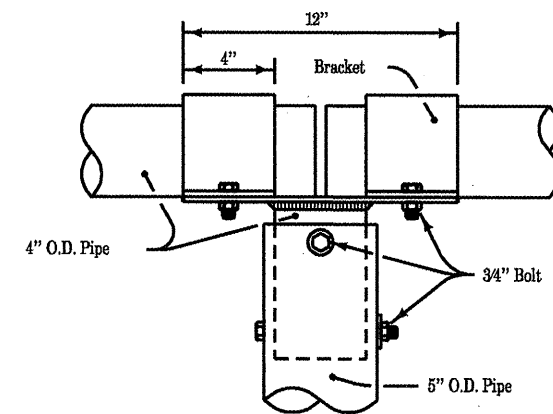
DETAIL 'C'

SECTION C-C

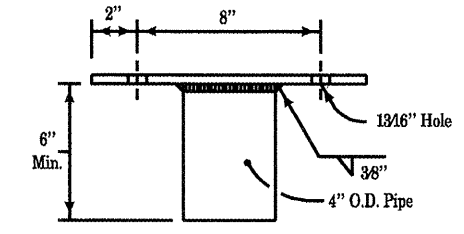


BRACKET END VIEW

TOP VIEW



CROSS BAR SUPPORT ASSEMBLY SIDE VIEW

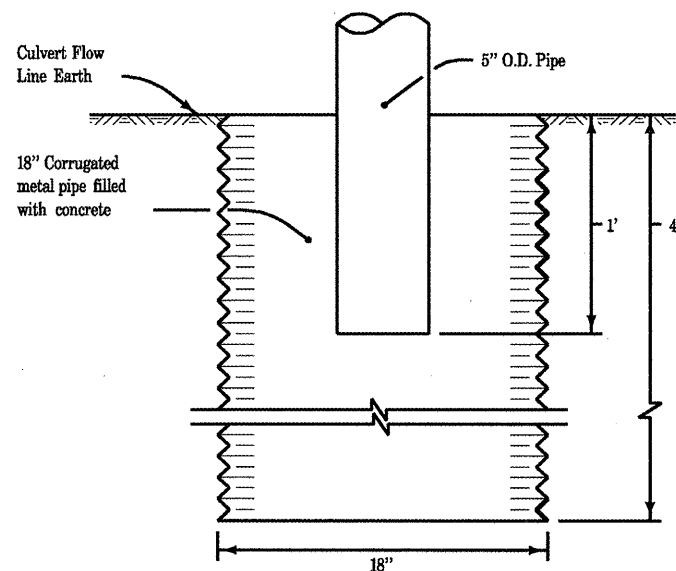


SIDE VIEW SUPPORT PLATE

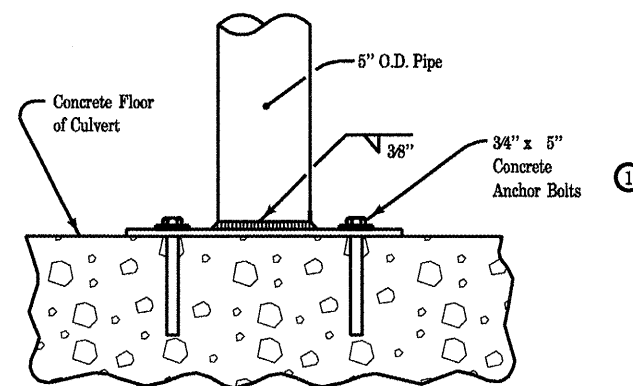
DETAIL 'D'

For additional information, see Detail Sheets 1, 2, and 3, Safety Grate Treatment and Fabrication.

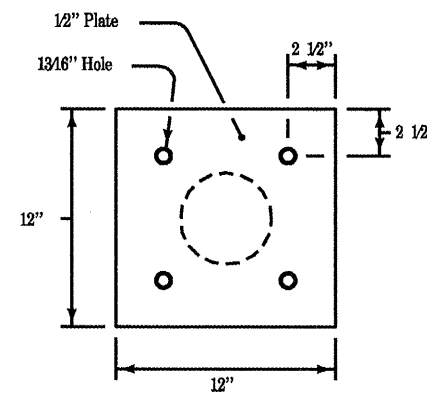
① Anchor bolts shall be installed in accordance with Article 509.06 of the Standard Specifications.



BOTTOM SUPPORT ON EARTH



BOTTOM SUPPORT ON CULVERT FLOOR



BOTTOM SUPPORT PLATE TOP VIEW

FILE NAME =	USER NAME = brucebm	DESIGNED -	REVISED -	<b>STATE OF ILLINOIS DEPARTMENT OF TRANSPORTATION</b>	<b>GRATING FOR BOX CULVERT WITH WING WALLS</b>	FAP64	SECTION	COUNTY	TOTAL	SHEET
S:\GEN\DRAW\STD&PLNS\Squad1\ Safety	ote\grate std.dgn	DRAWN -	REVISED -			IL29	(10,12)RS-6;11RS-4;10B)BR	PEORIA	186	160
	PLOT SCALE = 2100.0000 ' / IN.	CHECKED -	REVISED -			<b>CONTRACT NO. 88803</b>				
	PLOT DATE = 10/20/2008	DATE -	REVISED -			FED. ROAD DIST. NO.	ILLINOIS FED. AID PROJECT			