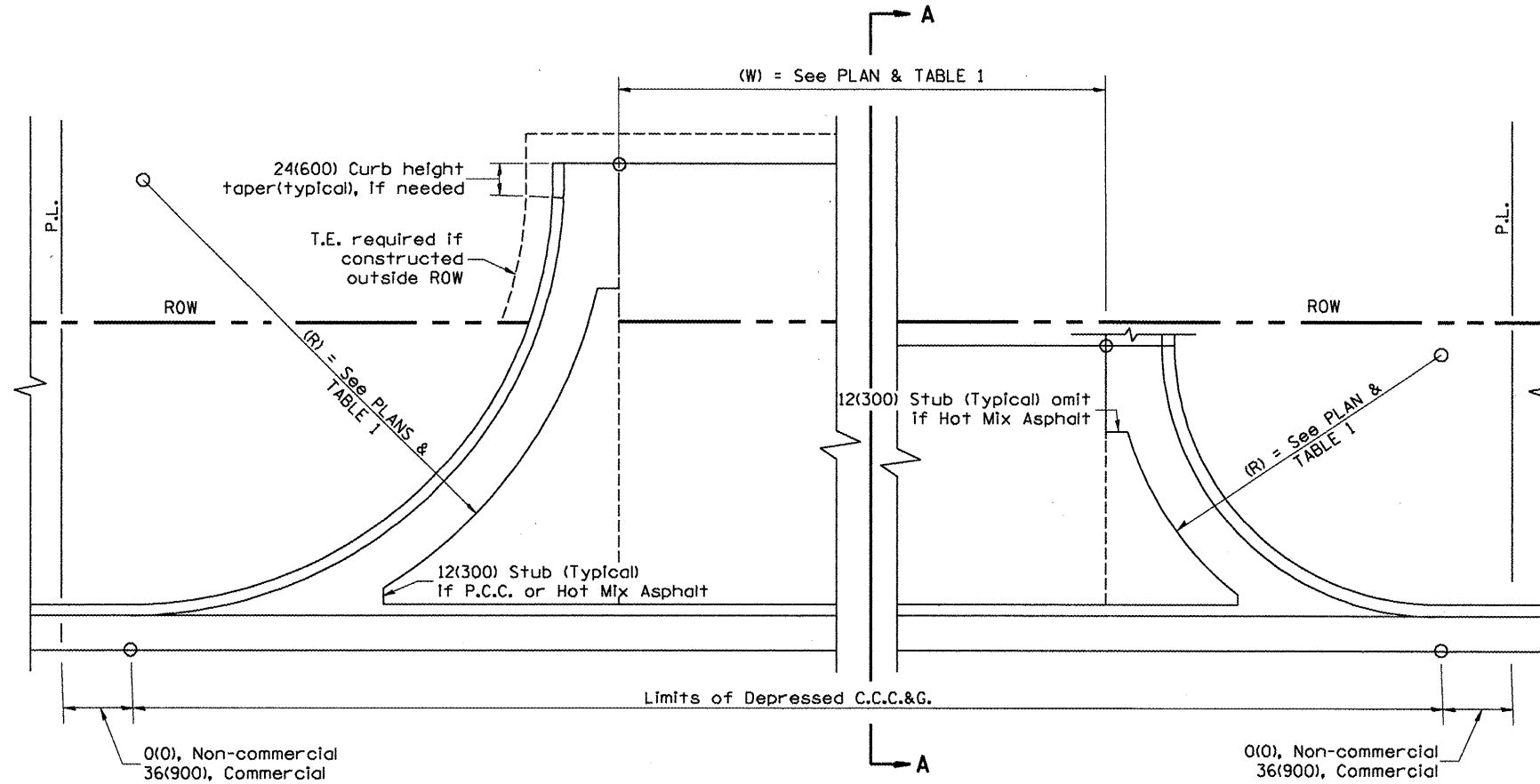


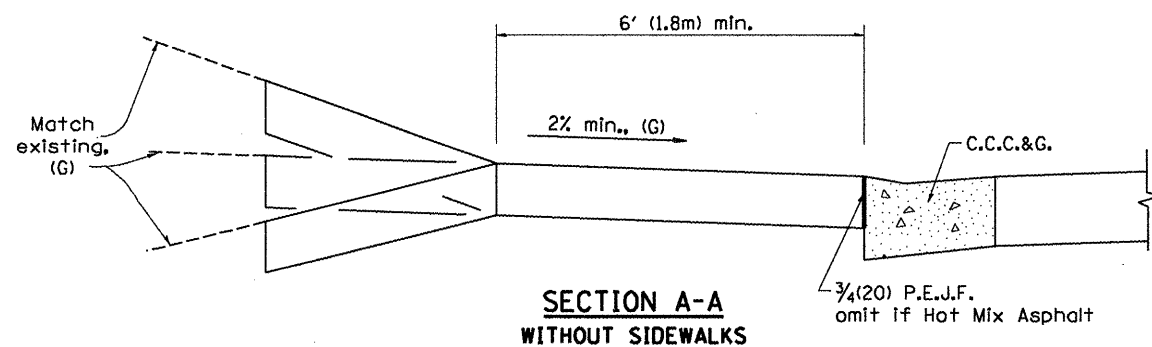
F.A.P. RTE.	SECTION	COUNTY	TOTAL SHEETS	SHEET NO.
64	*	PEORIA	186	168
STA.		TO STA.		
FED. ROAD DIST. NO.		ILLINOIS FED. AID PROJECT		



PLAN

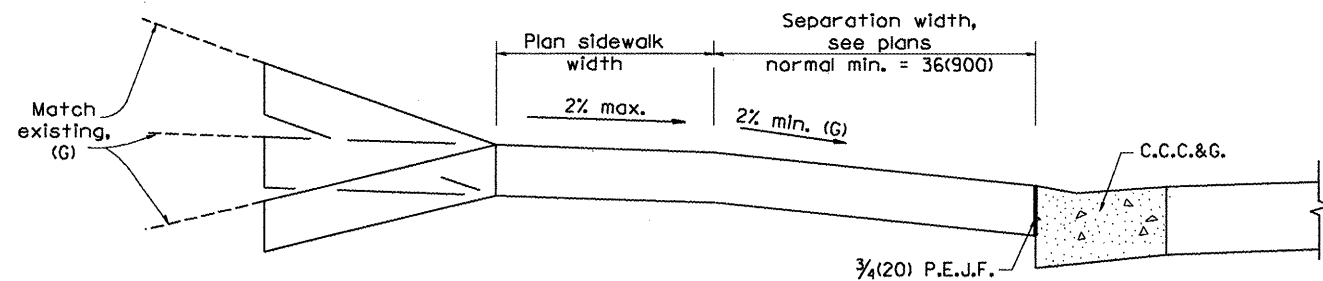
GENERAL NOTES

- C.C.C.&G. will be measured for pavement as specified in Article 606.13 of the Standard Specifications.
- C.C.C.&G. Construction Joints will be as shown on Standard 606001.



SECTION A-A
WITHOUT SIDEWALKS

TABLE 1				
URBAN ENTRANCE DESIGN CONTROLS				
ELEMENT	NON-COMMERCIAL		COMMERCIAL	
			1-WAY OPERATION	2-WAY OPERATION
WIDTH (W)	12' (3.6 m) MIN.	24' (7.2 m) MAX.	14' (4.3 m) MIN.	24' (7.2 m) MAX.
RADIUS EQUIVALENT 1:1 FLARE (F)	5' (1.5 m) MIN.	25' (7.6 m) MAX.	15' (4.6 m) MIN.	40' (12.0 m) MAX.
MAX. GRADE (G)	8%		6%	



SECTION A-A
WITH INITIAL OR FUTURE SIDEWALKS

All dimensions are in inches (millimeters) unless otherwise noted.

ILLINOIS DEPARTMENT OF TRANSPORTATION
DISTRICT CADD STANDARD

SUBURBAN ENTRANCES
WITH CURBED RADII

CADD STD NO. 423001-D4

SCALE: NOT DRAWN TO SCALE DRAWN BY CADD
DATE CHECKED BY

DATE	REVISIONS	BY
1-1-97	RENUM. C-103.05, NEW REVISION BOX, REVISED GENERAL NOTES	T.P.
9-15-05	REVISED DESIGNER NOTE	M.M.A.
10-16-06	REVISED TO 2007 SPEC.	M.A.