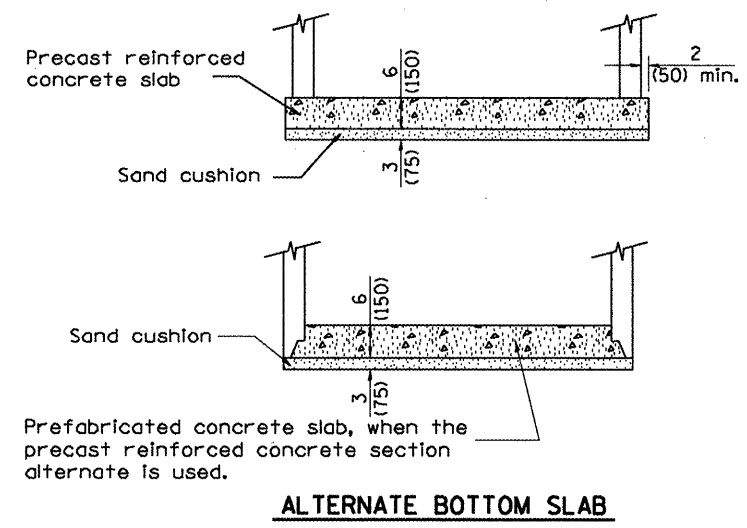
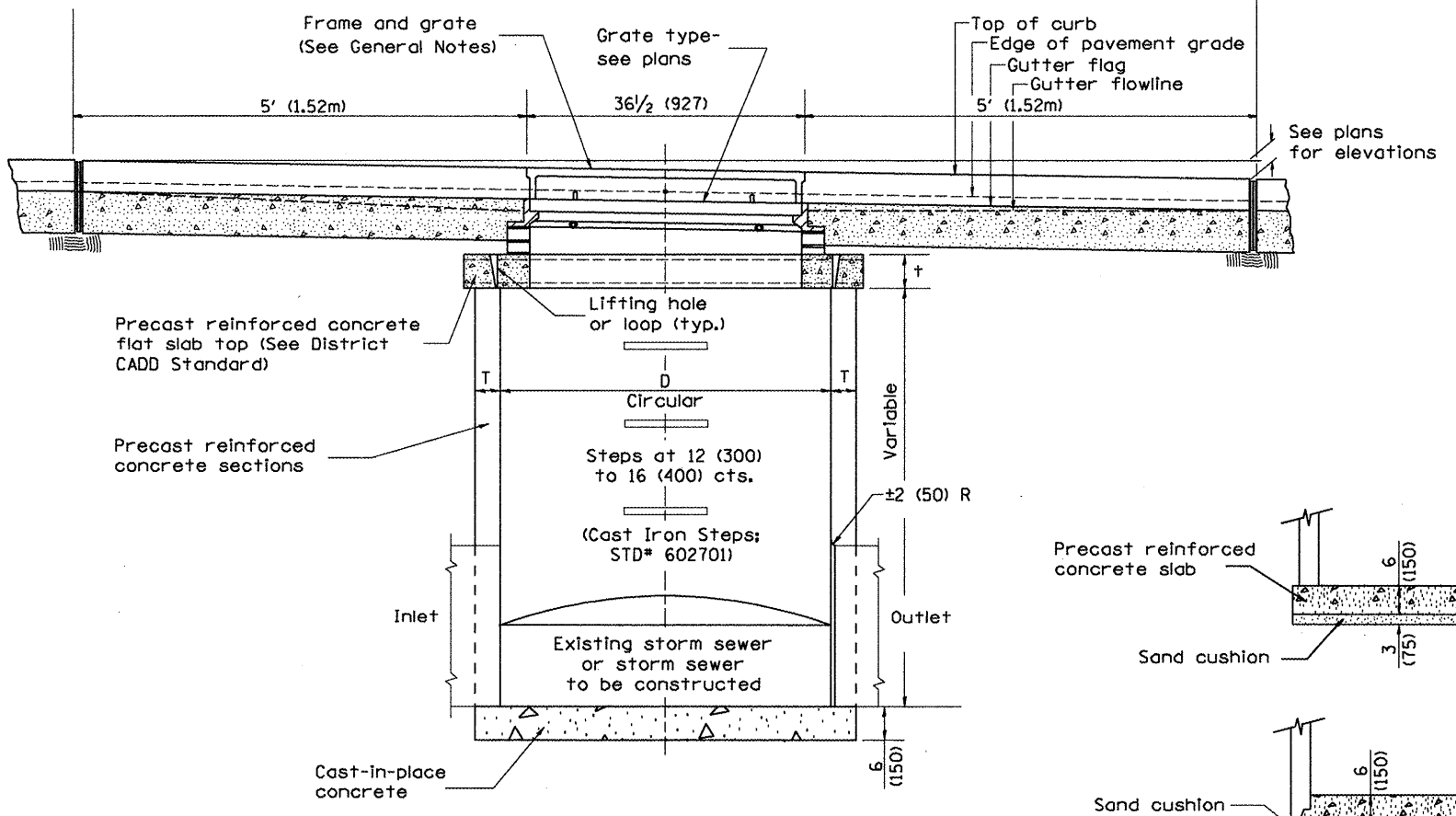


TABLE

D	T	t
4' (1.2m)	5 (125)	6 (150)
5' (1.5m)	6 (150)	8 (200)
6' (1.8m)	7 3/4 (195)	8 (200)
8' (2.4m)	9 (225)	10 (250)

- GENERAL NOTES**
- Inlet-manhole construction shall be in accordance with Section 602 of the Standard Specifications.
 - Combination concrete curb and gutter shall be constructed in accordance with Section 606 of the Standard Specifications.
 - See District CADD Standard 604001-D4 for frame and grates.
 - See District CADD Standard for precast reinforced concrete flat slab top.



All dimensions are in inches (millimeters) unless otherwise noted.

ILLINOIS DEPARTMENT OF TRANSPORTATION
DISTRICT CADD STANDARD

INLET-MANHOLE, TYPE G-1, SPECIAL

CADD STANDARD 602026-D4
SCALE NOT TO SCALE

DRAWN BY CADD
CHECKED BY

DATE	REVISIONS	BY
1-1-97	RENUM. B-4.06, NEW REVISION BOX	T.P.
12-1-98	CORRECT E. D. P. NOTE	J.A.
10-99	REVISION TO GENERAL NOTES	J.A.
10-16-06	REVISED TO 2007 SPEC.	M.A.