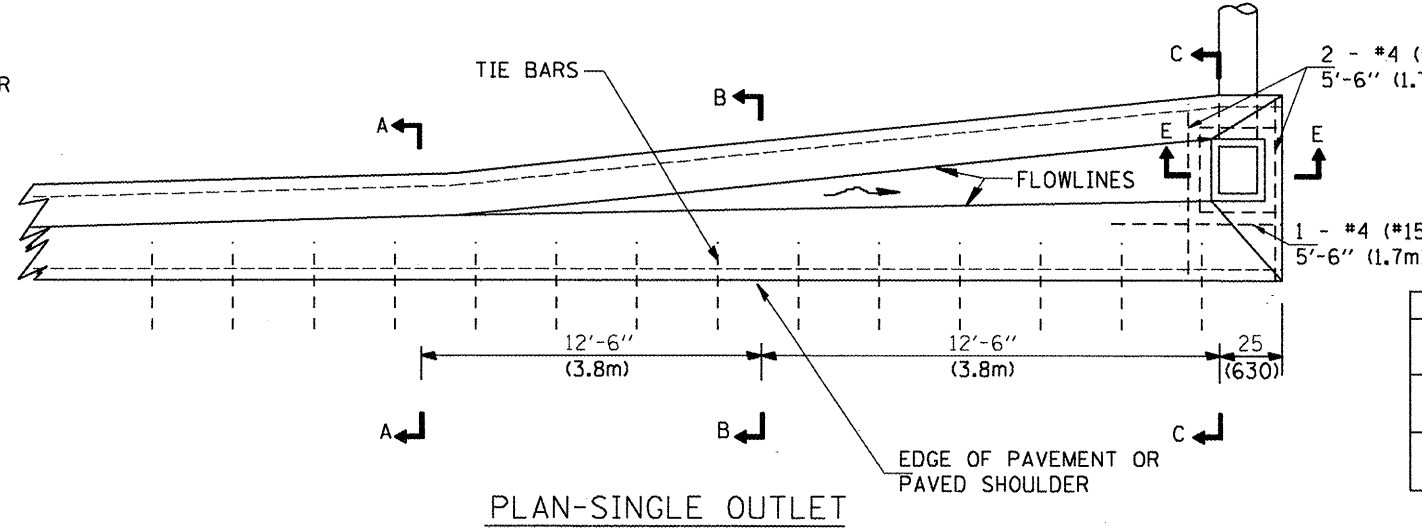
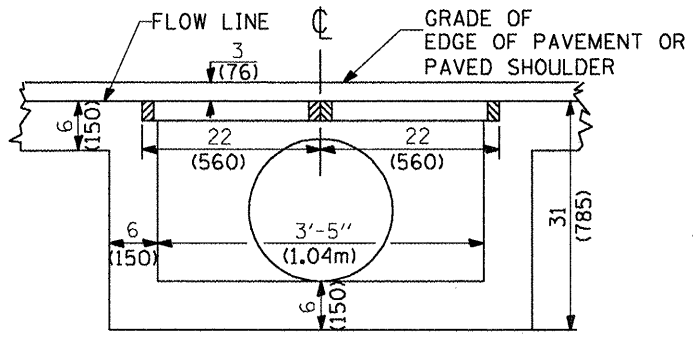
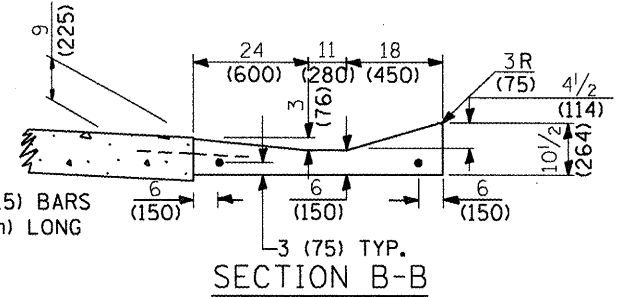
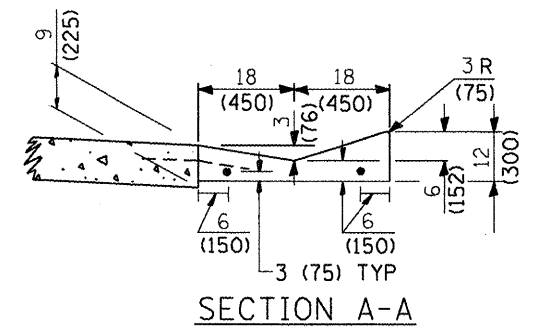
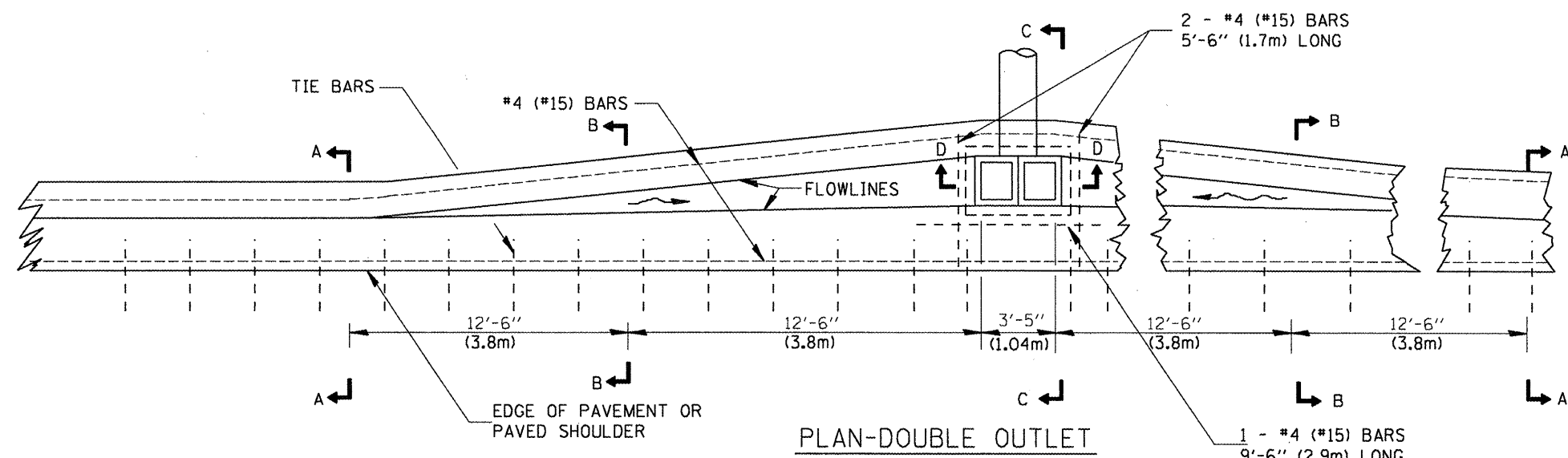


F.A.P. RTE.	SECTION	COUNTY	TOTAL SHEETS	SHEET NO.
64		PEORIA	186	176
STA.		TO STA.		
FED. ROAD DIST. NO.		ILLINOIS FED. AID PROJECT		



QUANTITIES

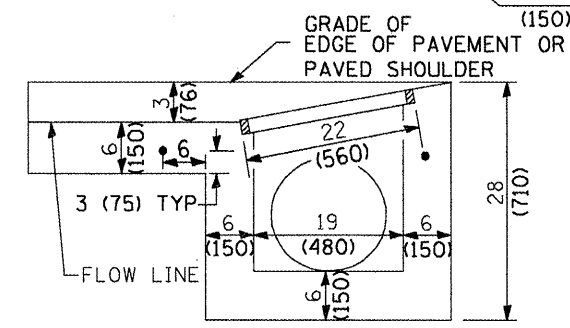
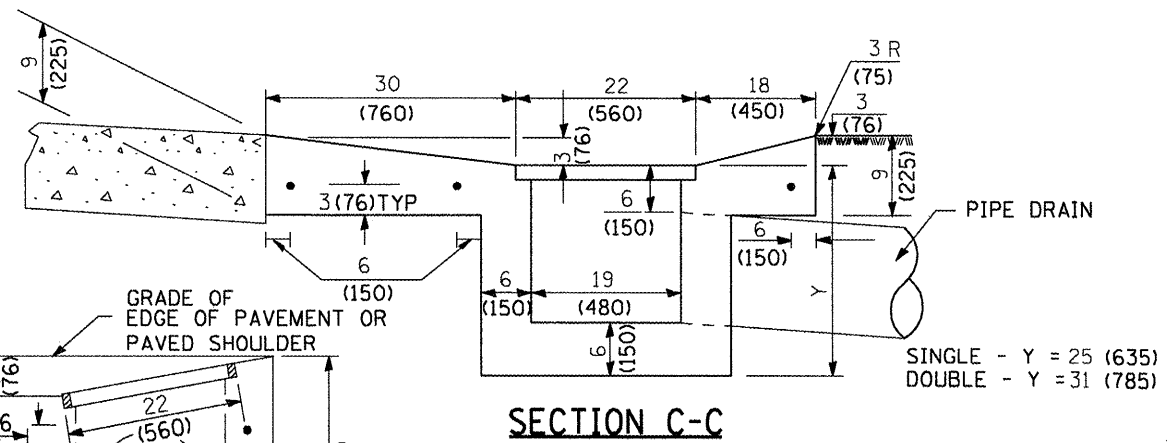
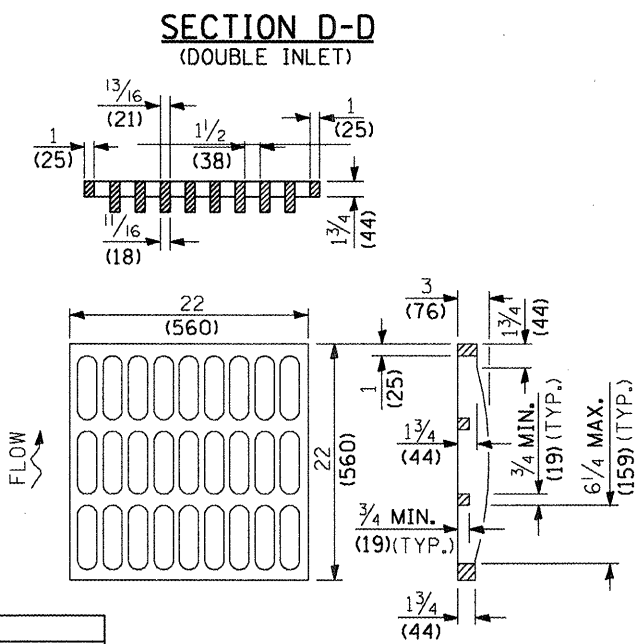
MATERIAL	SINGLE	DOUBLE
CONCRETE - (cu.yd.) m ³	()	()
CAST IRON GRATE - Ea. 125 lbs. (57 kg)	1	2
PIPE DRAIN - DIA. (in.) mm	15 (400)	18 (450)

GENERAL NOTES

The gutter outlet shall be tied to the pavement in accordance with details for longitudinal construction joint shown on Standard 420001.

Tie bars shall be No. 6 (No. 20) at 24" (600mm) centers unless otherwise shown.

If the average grade of pavement for the distance A-D exceeds 2%, this distance shall be increased 6' (1.8m) for each 1% increase in grade.



All dimensions are in inches (millimeters) unless otherwise noted.

**ILLINOIS DEPARTMENT OF TRANSPORTATION
DISTRICT CADD STANDARD**

**OUTLET TYPE 1 (MODIFIED) FOR
TYPE A GUTTER (MODIFIED)**

CADD STANDARD 606106-D4
NOT DRAWN TO SCALE
DRAWN BY CADD
CHECKED BY

DATE	REVISIONS	BY
1-1-97	RENUM. A-1.07, NEW REVISION BOX, ADDED DESIGNER NOTES.	T.P.
10-16-06	REVISED TO 2007 SPEC.	M.A.

QUANTITIES

CALC. BY: _____ DATE: _____
 CHECKED BY: _____ DATE: _____

QUANTITY CALCULATIONS ARE ON FILE AT THE DISTRICT 4 OFFICE, BUREAU OF PROJECT IMPLEMENTATION, DOCUMENTATION SECTION