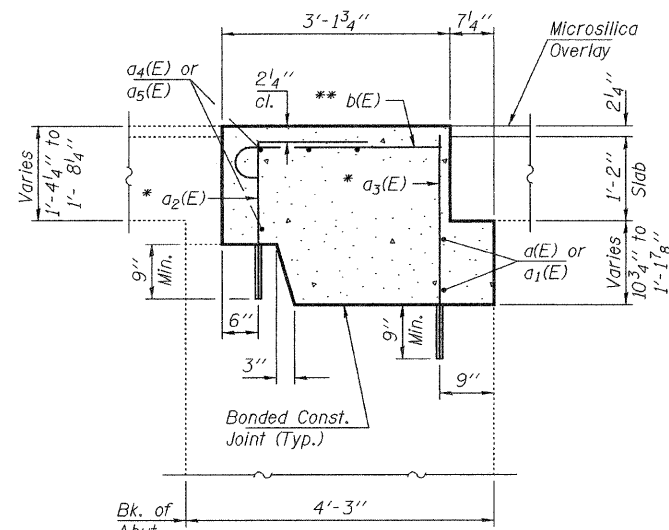
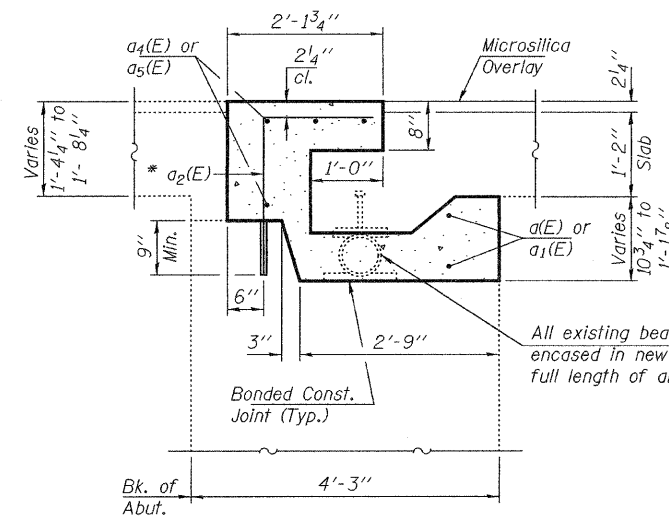


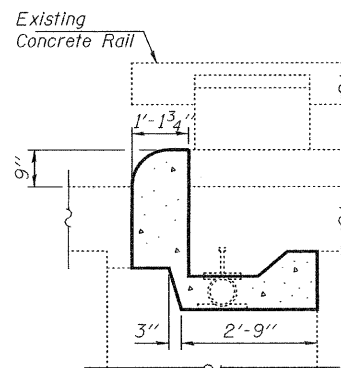
STATE OF ILLINOIS
DEPARTMENT OF TRANSPORTATION



SECTION C-C



SECTION D-D

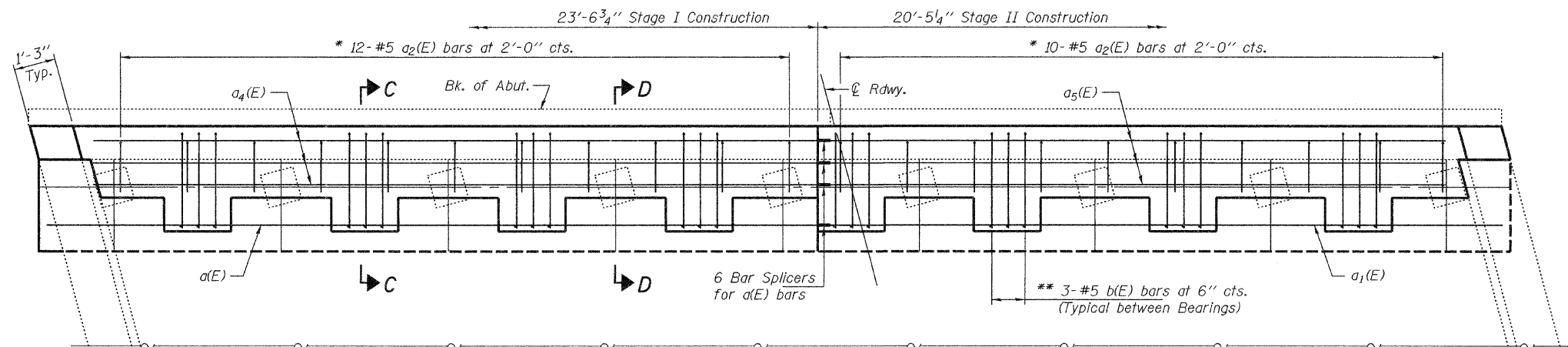


TYPICAL CURB VIEW

(See Section D-D for dimensions not shown)

DESIGNED	AJB
CHECKED	GGE
DRAWN	Kyle M. Steffen
CHECKED	AJB GGE

NOVEMBER 21, 2008
EXAMINED *Carl P. ...*
PASSED *Ralph E. Anderson*
ENGINEER OF STRUCTURAL SERVICES
ENGINEER OF BRIDGES AND STRUCTURES

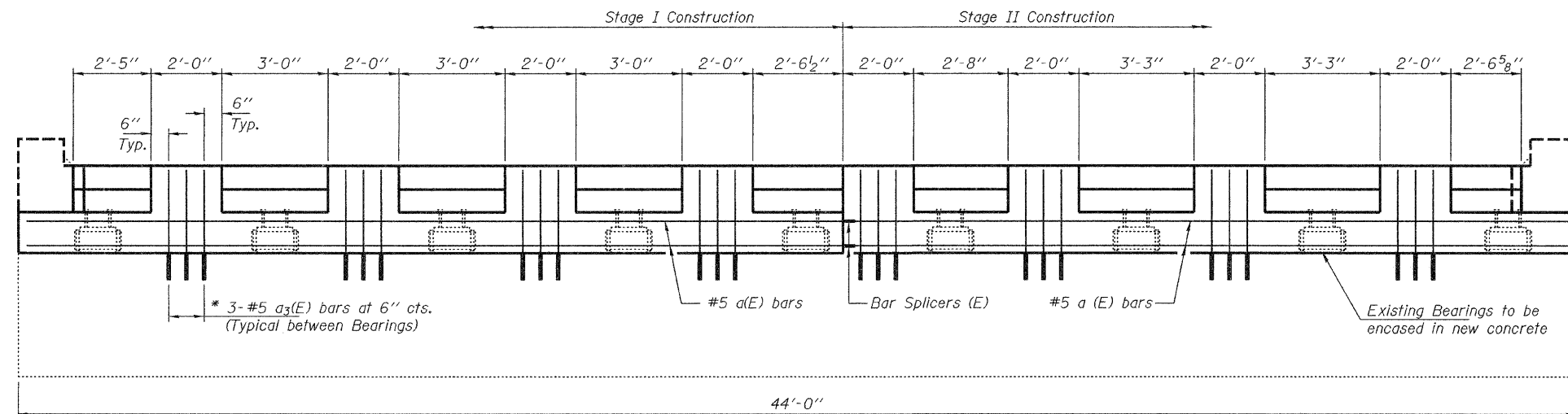


026-0003 W. ABUT. & 026-0004 E. ABUT. PLAN

Opposite Abutments similar by 180°
(Wing Walls not shown for clarity)

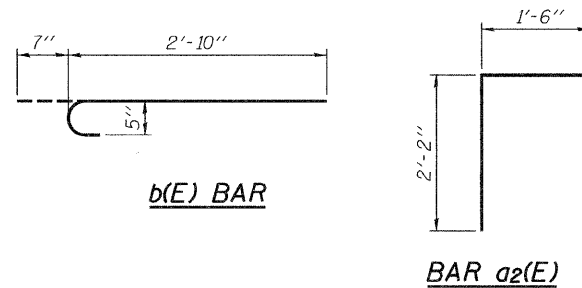
* Epoxy grout a2(E) & a3(E) bars in 7/8" φ x 9" (Min.) drilled holes according to Section 584 of the Standard Specifications.

** Where possible, lap b(E) bars with existing longitudinal bars.



026-0003 W. ABUT. & 026-0004 E. ABUT. ELEVATION

Opposite Abutments similar by 180°
(Wing Walls not shown for clarity)



BILL OF MATERIAL

Bar	No.	Size	Length	Shape
a(E)	8	#5	23'-0"	—
a1(E)	8	#5	20'-5"	—
a2(E)	88	#5	3'-8"	Γ
a3(E)	96	#5	2'-11"	—
a4(E)	16	#5	21'-6"	—
a5(E)	16	#5	18'-10"	—
b(E)	96	#5	3'-5"	—
Concrete Removal		Cu. Yd.	20.7	
Concrete Superstructure		Cu. Yd.	36.8	
Reinforcement Bars, Epoxy Coated		Pound	2010	

REPAIR DETAILS
F.A.I. RTE. 70 OVER LICK CREEK
SN 026-0003 (EB) & 0004 (WB)

SHEET NO. 4 8 SHEETS	F.A.I. RTE.	SECTION	COUNTY	TOTAL SHEETS	SHEET NO.
	70	-	FAYETTE	59	19
FED. ROAD DIST. NO.			ILLINOIS FED. AID PROJECT		
			CONTRACT NO. 94993		