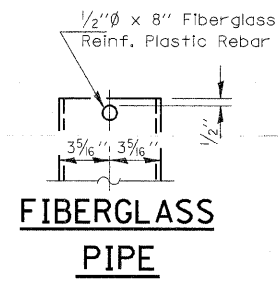
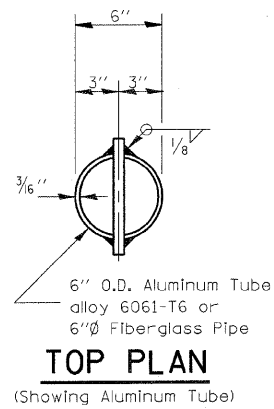


**TOP PLAN**

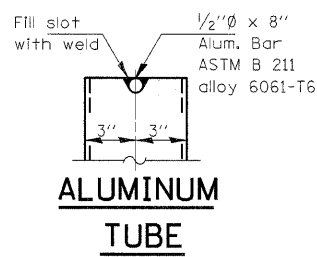


**FIBERGLASS PIPE**



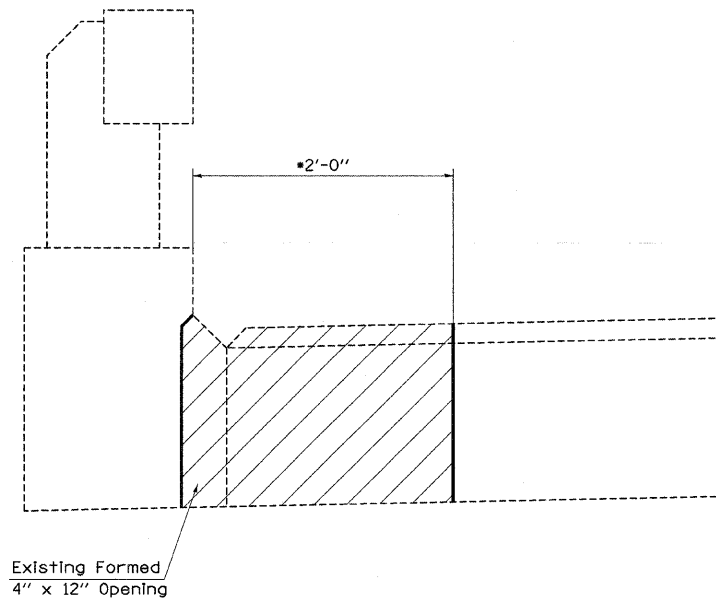
**TOP PLAN**

(Showing Aluminum Tube)



**ALUMINUM TUBE**

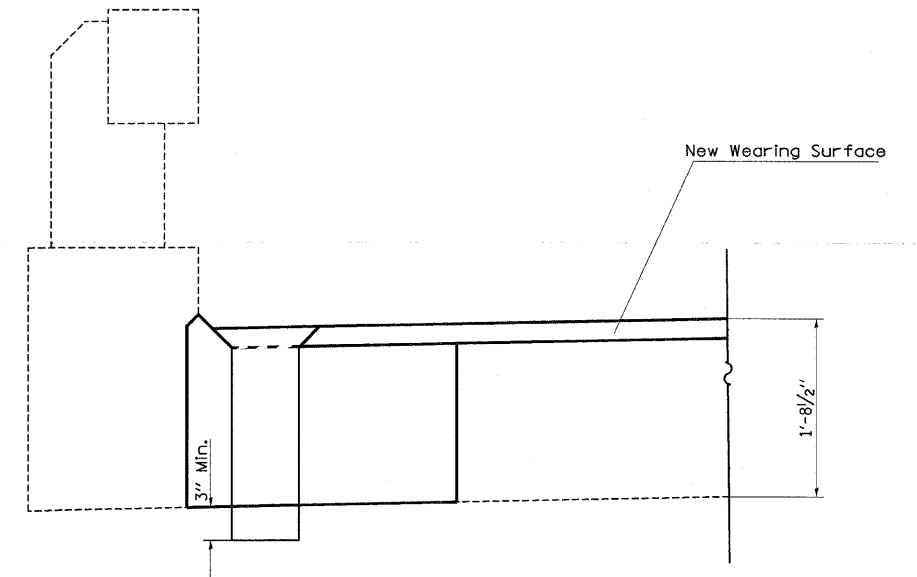
• Dimensions shall be determined by the Engineer in the field based on extent of deck deterioration at each drain.



**SECTION THRU EXISTING FLOOR DRAIN**

Hatched area indicates concrete removal at floor drain replacement.

Cost included with Deck Slab Repair (Full Depth Type I)



**DRAIN REPLACEMENT DETAIL**

Note: See "Bridge Deck Patching" plan sheets for Floor Drain replacement locations. See "Total Bill of Materials" for each structure for quantities.

Note:  
Fiberglass pipe shall conform to ASTM D 2996, with short-time rupture strength hoop tensile stress of 30,000 p.s.i. minimum.

SHEET NO. 8  
8 SHEETS

FILE NAME = c:\pwork\p\IDOT\SWARTZRW\dms36208\theledesign_94993.dgn	USER NAME = swartzw	DESIGNED -	REVISED -	<b>STATE OF ILLINOIS DEPARTMENT OF TRANSPORTATION</b>	<b>FLOOR DRAIN DETAIL SN. 026-0003 (EB) &amp; SN. 026-0004 (WB)</b>		F.A.I. RTE.	SECTION	COUNTY	TOTAL SHEETS	SHEET NO.	
PLOT SCALE = 28.0000 / IN.	DESIGN SCALE = 28.0000 / IN.	DRAWN -	REVISED -		70	D-7 BRIDGE DECK REPAIRS	FAYETTE	59	23			
PLOT DATE = 10/17/2008	DATE -	CHECKED -	REVISED -		SCALE: N/A		SHEET NO. 8 OF 8 SHEETS		STA. TO STA.		CONTRACT NO. 94993	
		DATE -	REVISED -		SCALE: N/A		SHEET NO. 8 OF 8 SHEETS		STA. TO STA.		CONTRACT NO. 94993	

FED. ROAD DIST. NO. ILLINOIS FED. AID PROJECT