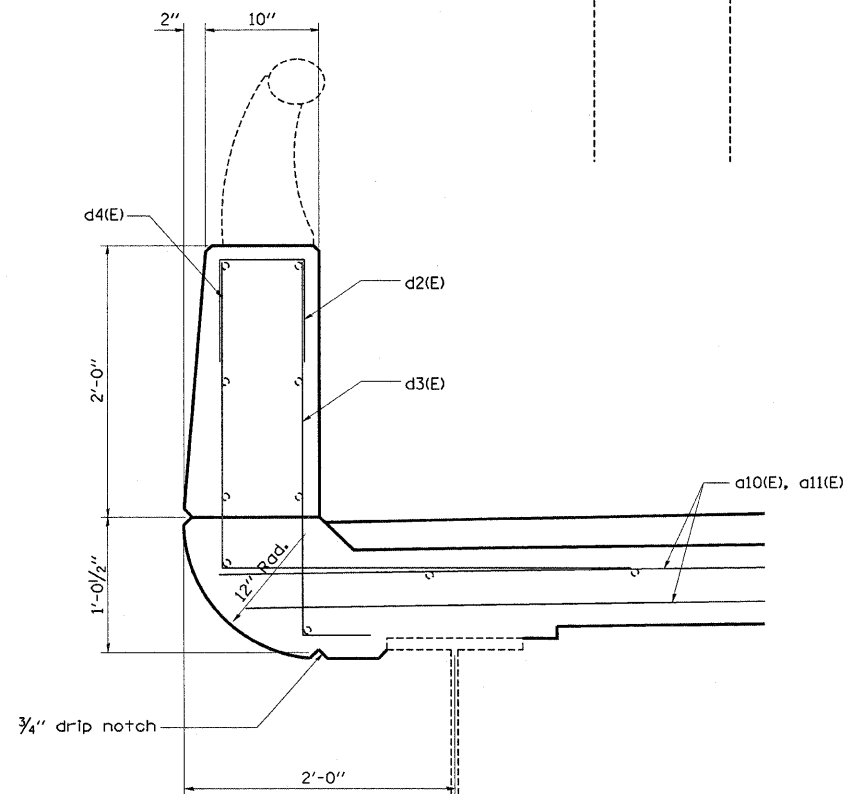
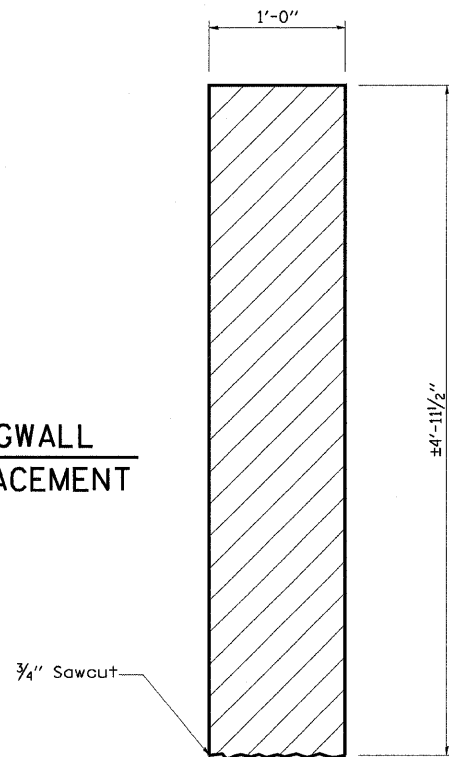
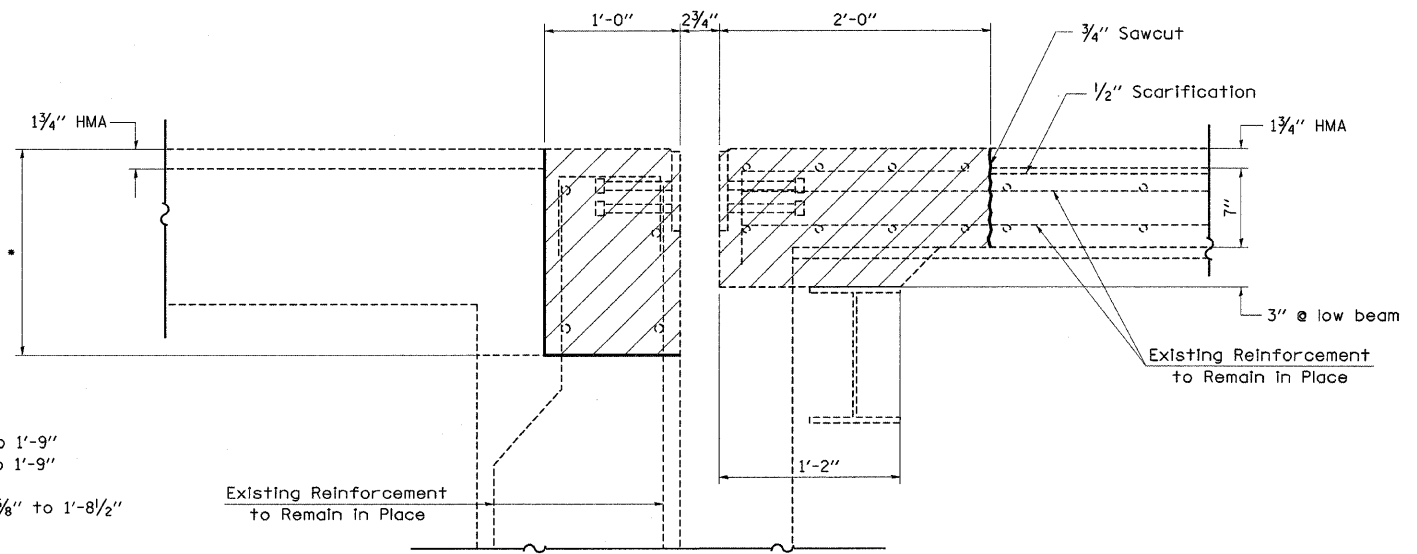


**TYPICAL WINGWALL
REMOVAL/REPLACEMENT**



SECTION THRU PARAPET

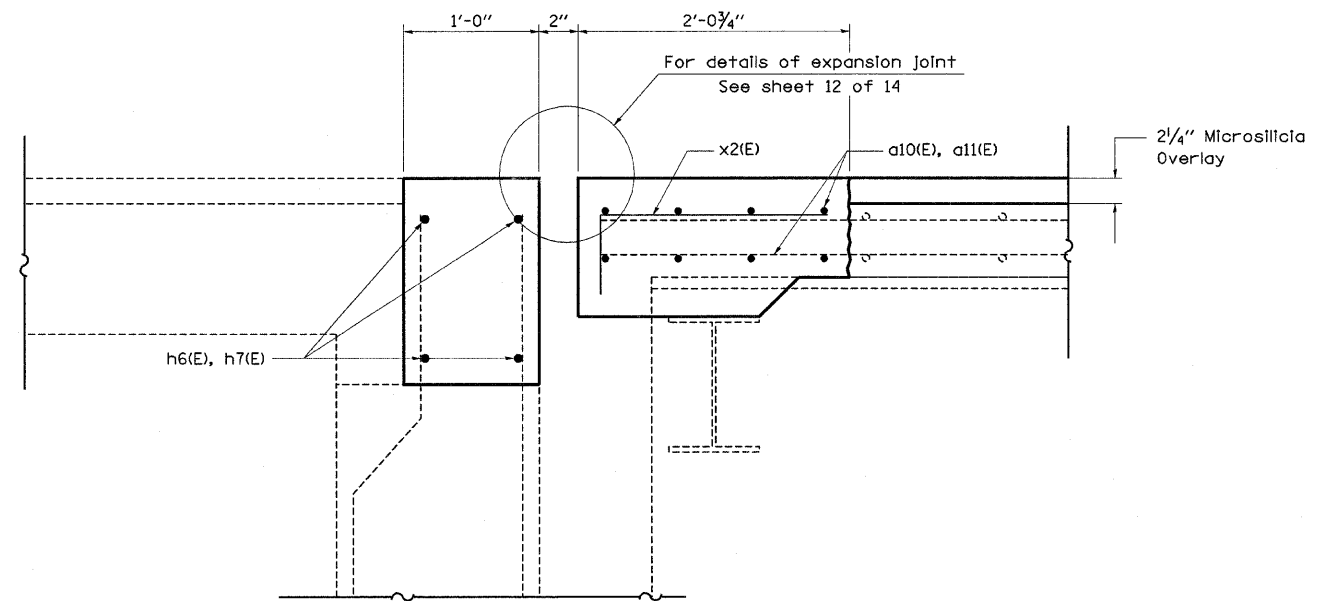


SECTION A-A
(Dimensions at RT L's to end of deck)

- 026-0009
W. Abut. 1'-4 1/2" to 1'-9"
E. Abut. 1'-4 3/4" to 1'-9"
- 026-0010
E. & W. Abut. 1'-4 5/8" to 1'-8 1/2"

Note: Dimensions are based on a Rolled Rail Strip Joint. If the Contractor elects to use the Welded Rail Strip Seal Joint, deck dimensions may require adjustments to satisfy the details on Base Sheet EJ-SSJ.

- Existing Reinforcement
- Proposed Reinforcement



SECTION B-B
(Dimensions at RT L's to end of deck)

FILE NAME =	USER NAME = swa-tzrw	DESIGNED -	REVISED -	STATE OF ILLINOIS DEPARTMENT OF TRANSPORTATION	EXPANSION JOINT REPLACEMENT DETAILS SN. 026-0009 (EB) & SN. 026-0010 (WB)	F.A.I. RTE.	SECTION	COUNTY	TOTAL SHEETS	SHEET NO.	
ca:\pvc_work\PW100T\SWARTZRW\dms36288\th	del/design/94993.dgn	DRAWN -	REVISED -			70	D-7 BRIDGE DECK REPAIRS	FAYETTE	59	50	
	PLOT SCALE = 20.0000' / IN.	CHECKED -	REVISED -			CONTRACT NO. 94993					
	PLOT DATE = 10/17/2008	DATE -	REVISED -			SCALE: N/A	SHEET NO. 5 OF 14 SHEETS	STA.	TO STA.	FED. ROAD DIST. NO.	ILLINOIS FED. AID PROJECT