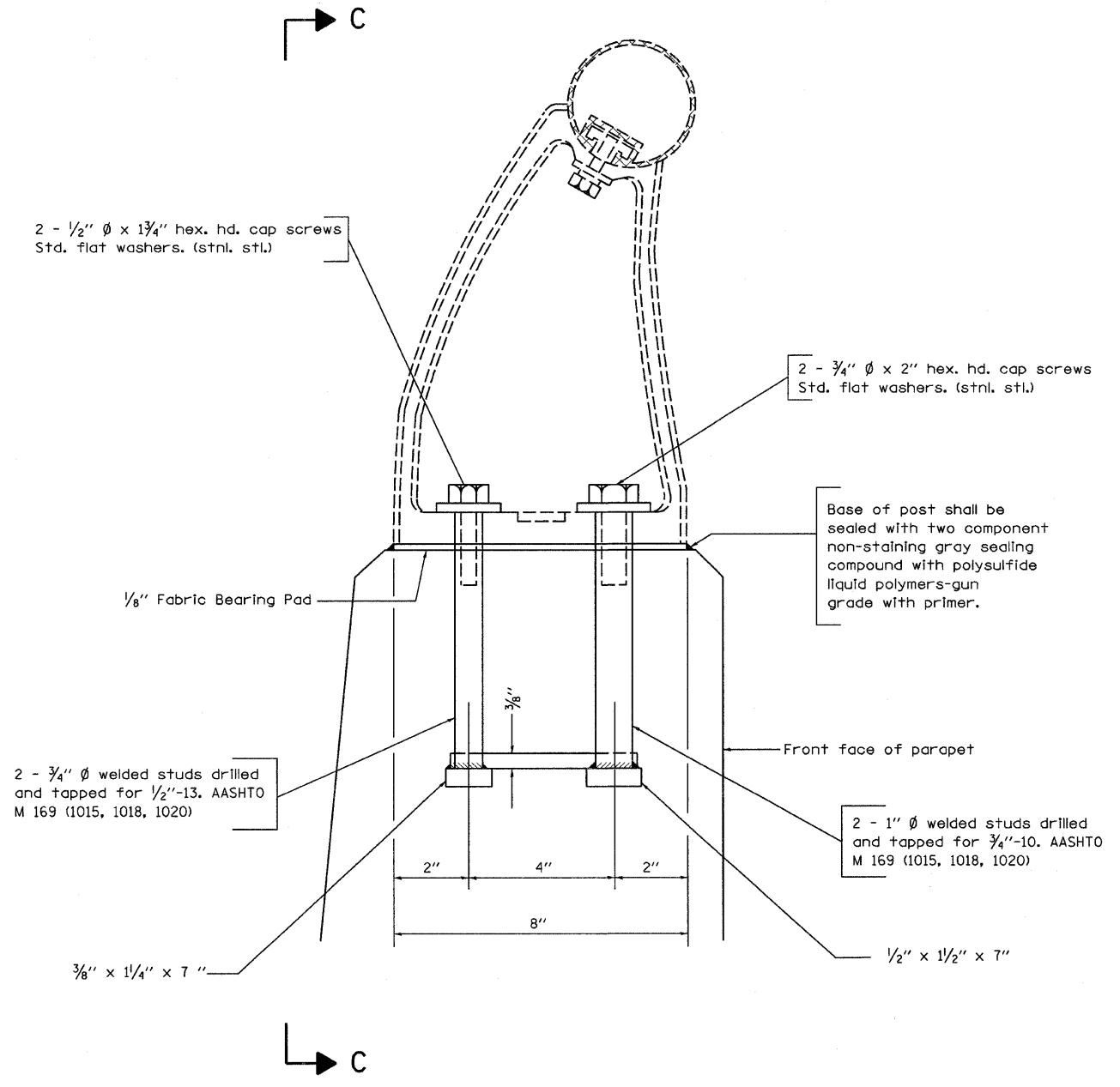


VIEW C-C

Note: New Rail Post anchorage devices will be required at each location where posts are connected to new construction. Cost shall be included with Concrete Superstructure.



C

FILE NAME =	USER NAME = swartzrw	DESIGNED -	REVISED -	STATE OF ILLINOIS DEPARTMENT OF TRANSPORTATION	RAIL SUPPORT ANCHOR DETAILS SN. 026-0009 AND 026-0010		F.A.I. RTE.	SECTION	COUNTY	TOTAL SHEETS	SHEET NO.	
ca:\pvc_work\FWIDOT\SWARTZRW\dms36208\theledesign_94993.dgn	theledesign_94993.dgn	DRAWN -	REVISED -		SCALE: N/A	SHEET NO. 10 OF 14 SHEETS	STA.	70	D-7 BRIDGE DECK REPAIRS	FAYETTE	59	55
PLOT SCALE = 28,0000' / IN.		CHECKED -	REVISED -				TO STA.					
PLOT DATE = 10/17/2008		DATE -	REVISED -					FED. ROAD DIST. NO.	ILLINOIS FED. AID PROJECT			CONTRACT NO. 94993