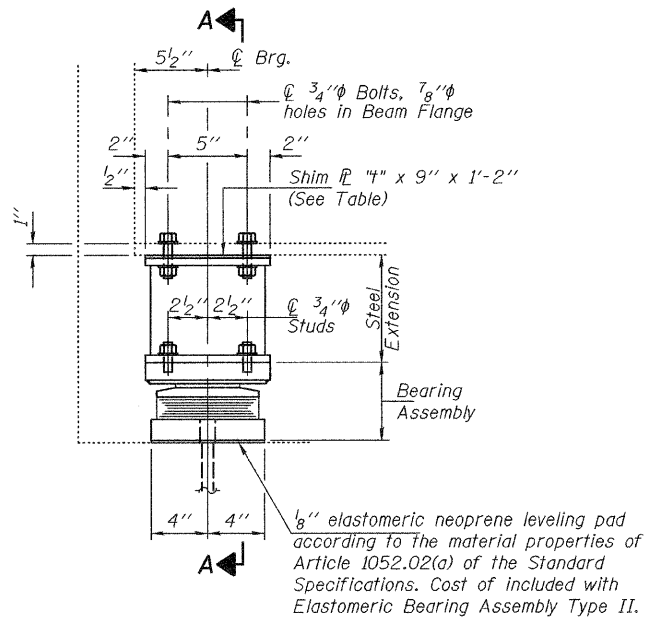
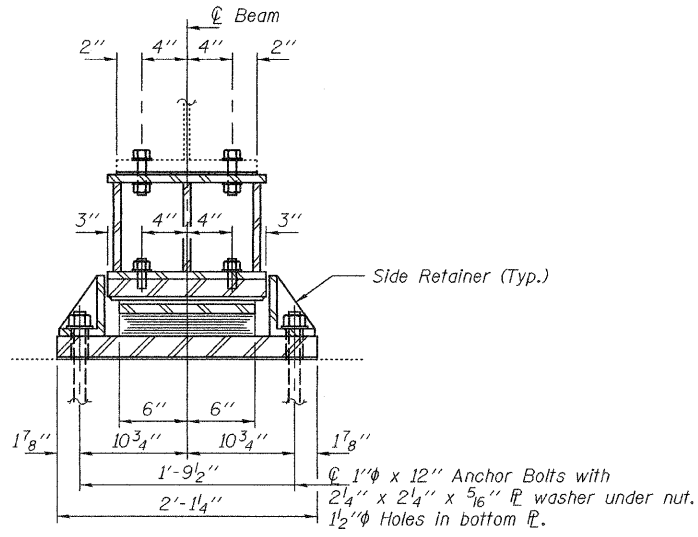


STATE OF ILLINOIS
DEPARTMENT OF TRANSPORTATION



ELEVATION AT ABUTMENT



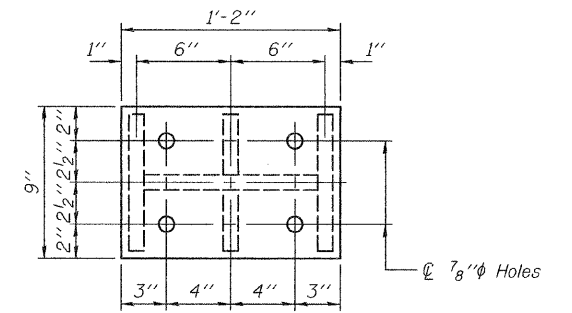
SECTION A-A

TYPE II ELASTOMERIC EXP. BRG.

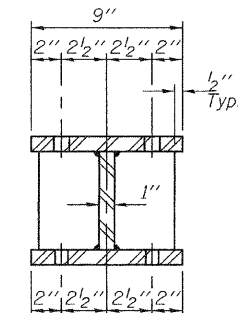
Notes:
Diaphragm removal and installation may be required to facilitate drilling holes. Cost included with Furnishing and Erecting Structural Steel.
New steel extensions, shim plates and connection bolts are included with Furnishing and Erecting Structural Steel.
Prior to ordering any material, the Contractor shall verify in the field all bearing height and shim thickness dimensions. Min. jack capacity = 40 Tons.
Anchor bolts shall be ASTM F1554 all-thread (or an Engineer-approved alternate material) of the grade(s) and diameter(s) specified. ASTM A307 Grade C anchor bolts may be used in lieu of ASTM F1554 Grade 36 (Fy=36ksi). The corresponding specified grade of AASHTO M314 anchor bolts may be used in lieu of ASTM F1554.
Anchor bolts for Type II bearings shall be placed in holes drilled through the bottom bearing plate after members are in place. Side retainers shall be placed after bolts are installed.
Drilled and set anchor bolts shall be installed according to Article 521.06 of the Standard Specifications.
Side retainers shall be included in the cost of Elastomeric Bearing Assembly, Type II.
The 1/8" PTFE sheet shall be bonded directly to the top steel plate with a two-component, medium viscosity epoxy resin, conforming to the requirements of the Federal Specification MMM-A-134, Type I. The bond agent shall be applied on the full area of the contact surfaces.
Bonding of 1/8" PTFE sheet during vulcanizing process will be permitted provided the process and method of adjusting assembly height is approved by the Engineer.

BEAM REACTIONS

RP	(K)	24.0
R _t	(K)	38.9
Imp.	(K)	10.0
R (Total)	(K)	72.9

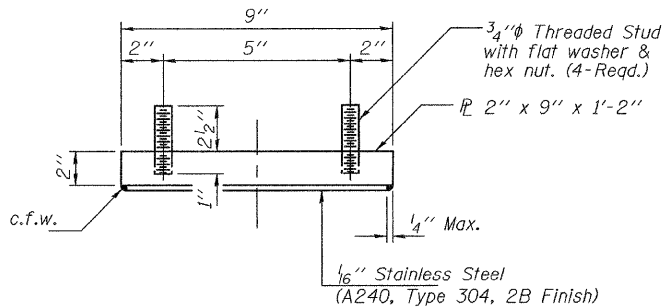


PLAN TOP AND BOTTOM PLATE

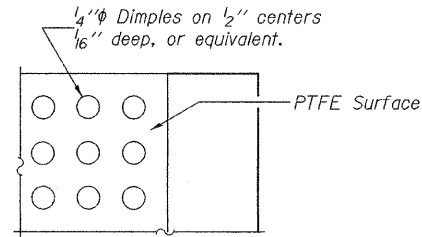


SECTION B-B

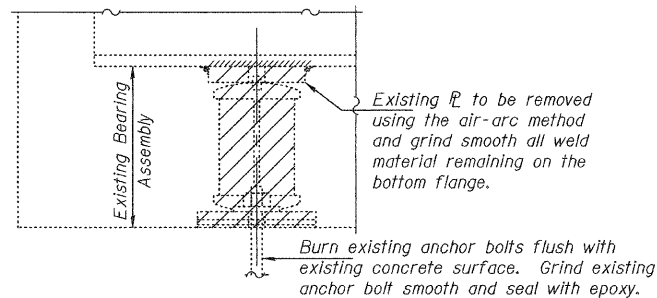
STEEL EXTENSION DETAIL



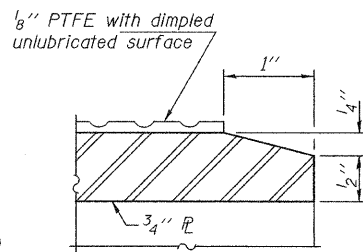
TOP BEARING ASSEMBLY



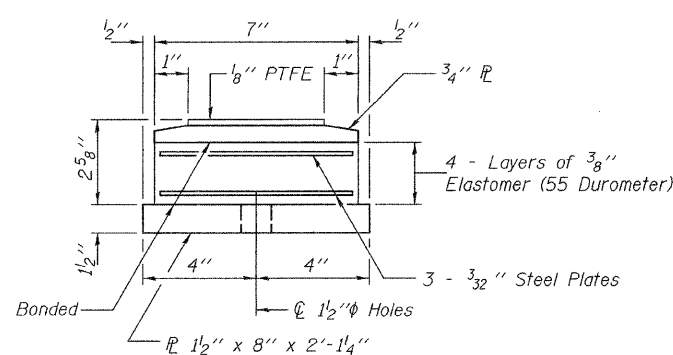
PLAN-PTFE SURFACE



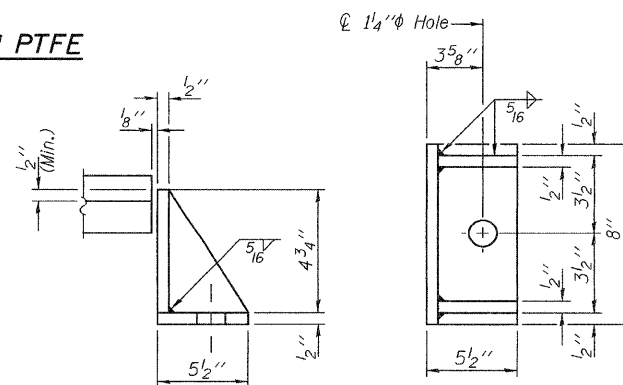
EXISTING BEARING REMOVAL DETAIL



SECTION THRU PTFE

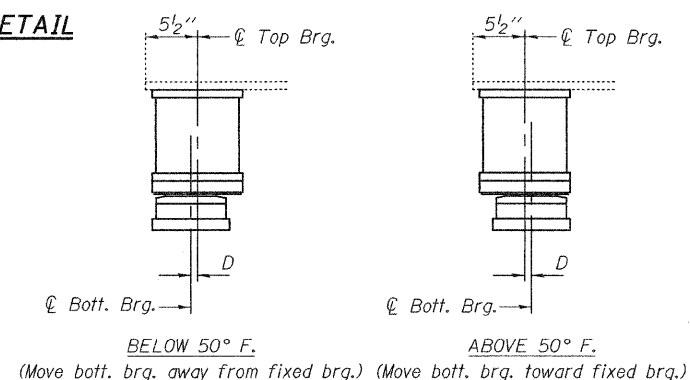


BOTTOM BEARING ASSEMBLY



SIDE RETAINER

Equivalent rolled angle with stiffeners will be allowed in lieu of welded plates.



SETTING ANCHOR BOLTS AT EXP. BRG.

D = 1/8" per each 100' of expansion for every 15° temp. change from the normal temp. of 50°F.

SHIM PLATES

SN	Beam	Abut.	"+"
026-0009	4	W & E	9/16"
026-0010	4	W & E	7/8"
026-0010	5	W & E	7/8"

BILL OF MATERIAL

Item	Unit	Total
Elastomeric Bearing Assembly Type II	Each	28
Jack and Remove Existing Bearings	Each	28
Furnishing and Erecting Structural Steel	Pound	3700
Anchor Bolts, 1"φ	Each	56

BEARING REPLACEMENT DETAILS

FAI RT. 70
SN 026-0009 (EB) & 0010 (WB)

DESIGNED	AJB
CHECKED	GGE
DRAWN	Kyle M. Steffen
CHECKED	AJB GGE

NOVEMBER 21, 2008
EXAMINED <i>Carl Hoyer</i> ENGINEER OF STRUCTURAL SERVICES
PASSED <i>Ralph E. Anderson</i> ENGINEER OF BRIDGES AND STRUCTURES

TYII/REPS 11-01-2006

SHEET NO. 14	F.A.I. RTE. 70	SECTION -	COUNTY FAYETTE	TOTAL SHEETS 59	SHEET NO. 59
14 SHEETS	FED. ROAD DIST. NO. ILLINOIS		FED. AID PROJECT CONTRACT NO. 94993		