

ROUTE NO.	SECTION	CITY	TOTAL SHEETS	SHEET NO.
FAU 7356	06-0007-00-RP	FORSYTH	25	15
FED. ROAD DIST. NO.		ILLINOIS	PROJECT M-5169 (041)	

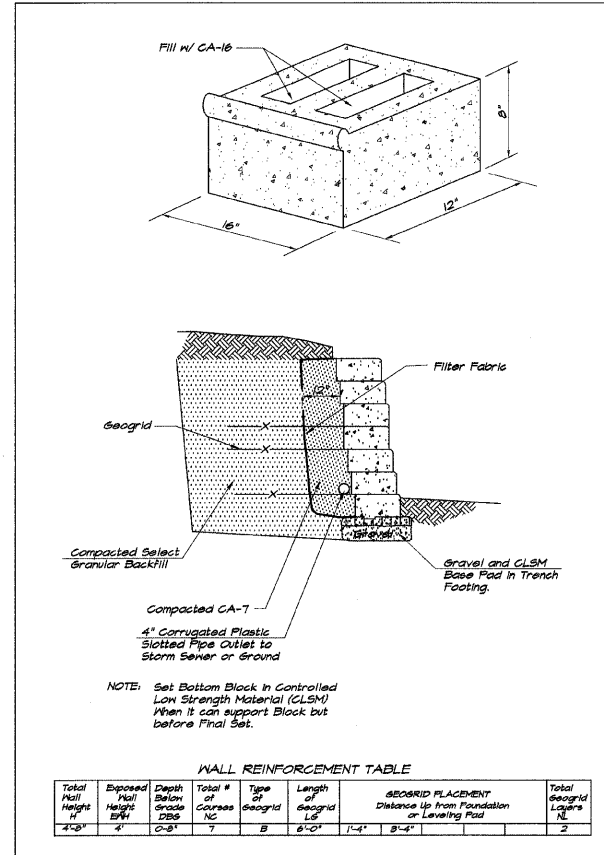
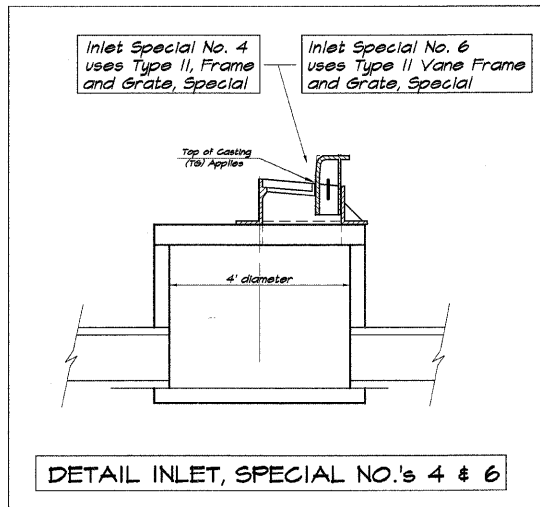
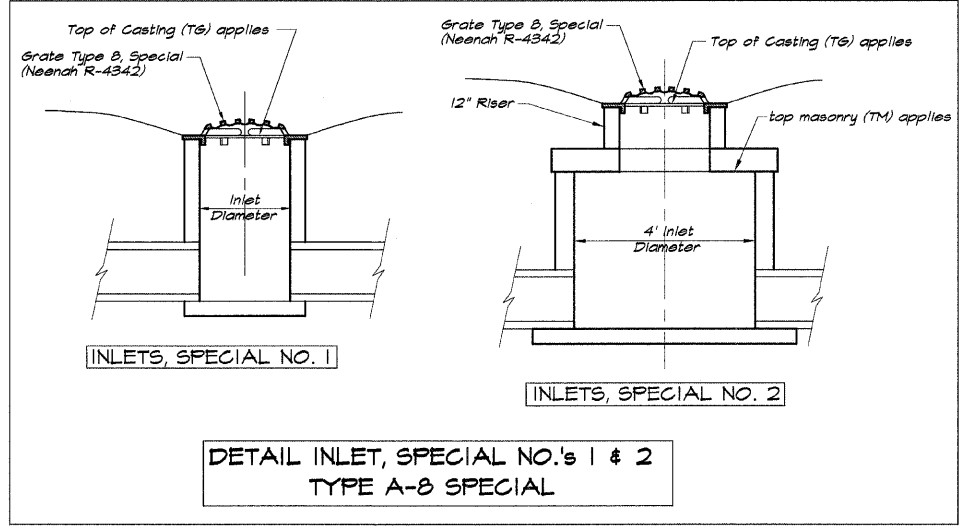
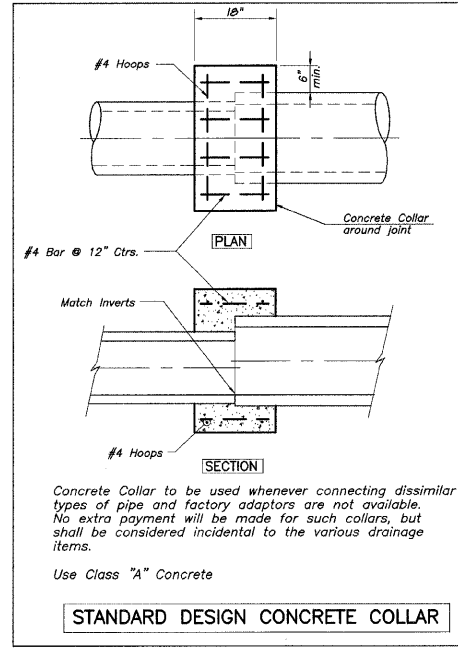
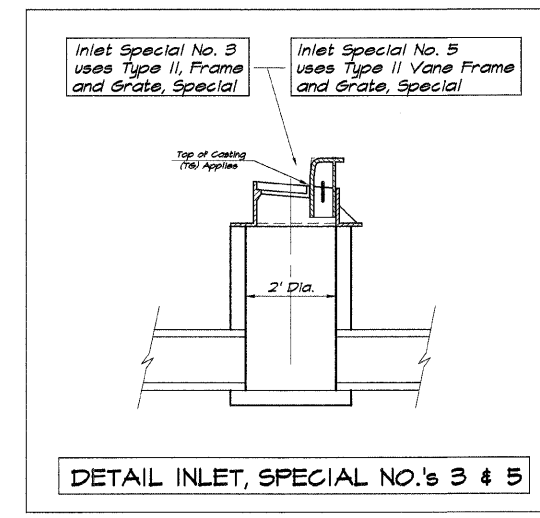
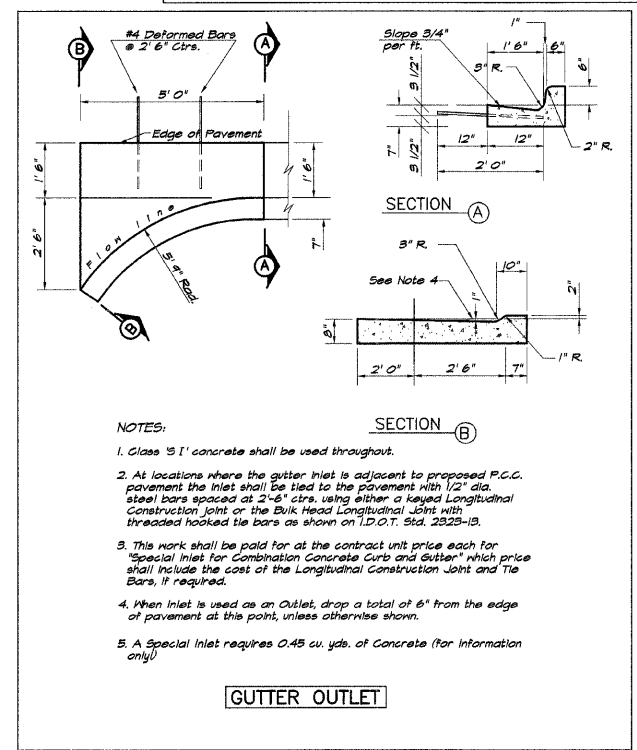
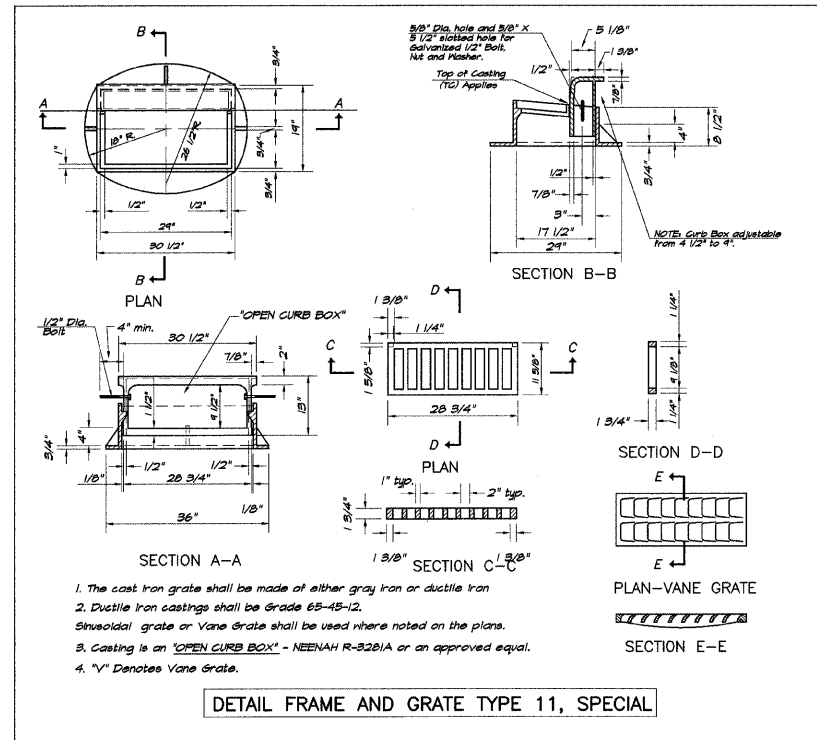
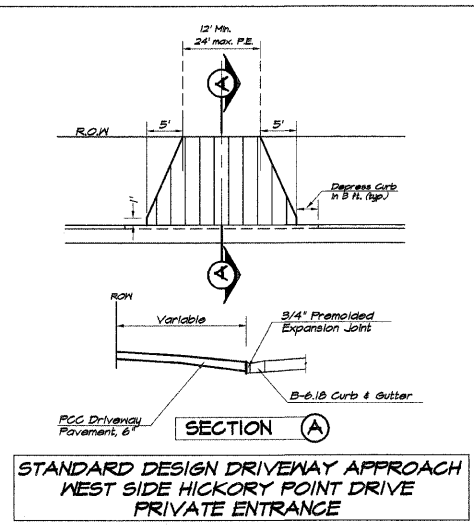
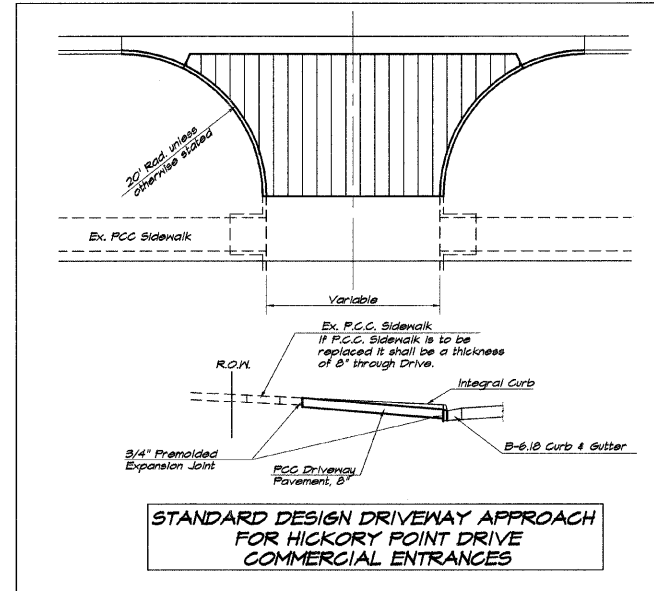
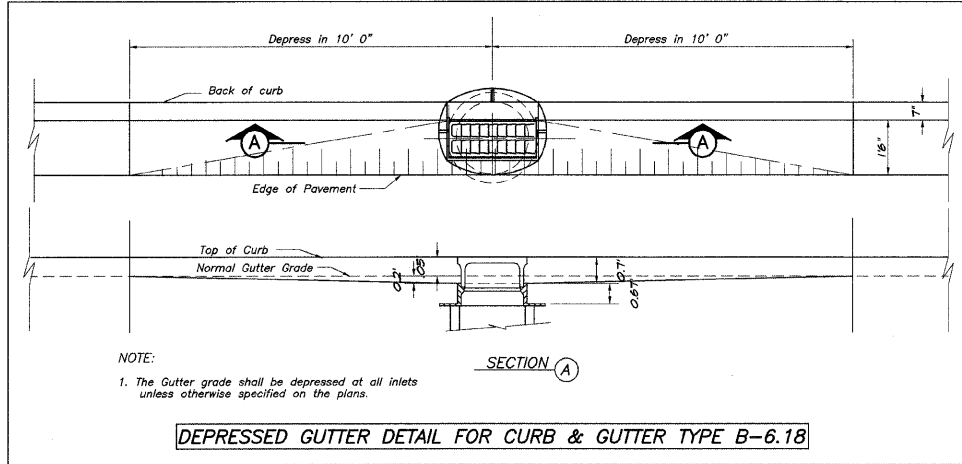
CONTRACT NUMBER 95564

REVISIONS	NO.	BY	DATE

BRIDGE & ASSOCIATES, INC.
 Consulting Engineers
 1070 SOUTH TAYLORVILLE ROAD
 DECATUR, ILLINOIS 62526
 Phone: 217-421-2500

DESIGNED	SCALE	DATE
MHP	AS SHOWN	Oct. 2007
DRAWN	DATE	
Les Jenkins		
FIELD BOOK	JOB NO.	
000	00-000	

VILLAGE OF FORSYTH, ILLINOIS
 HICKORY POINT DRIVE IMPROVEMENTS
 MISCELLANEOUS DETAILS



Total Wall Height ft	Exposed Wall Height ft	Depth Below Grade ft	Total # of Courses	Type of Geogrid	Length of Geogrid ft	GEOSGRID PLACEMENT Distance Up from Foundation or Leveling Pad	Total Geogrid Layers
4'-0"	4'	0'-0"	7	B	6'-0"	1'-3" 3'-6"	2

Note: The Wall Reinforcement Table is a minimum. Additional Wall Reinforcement may be required based on Segmental Concrete Block Wall type. Contractor to supply submittal detailing design in accordance with specifications.