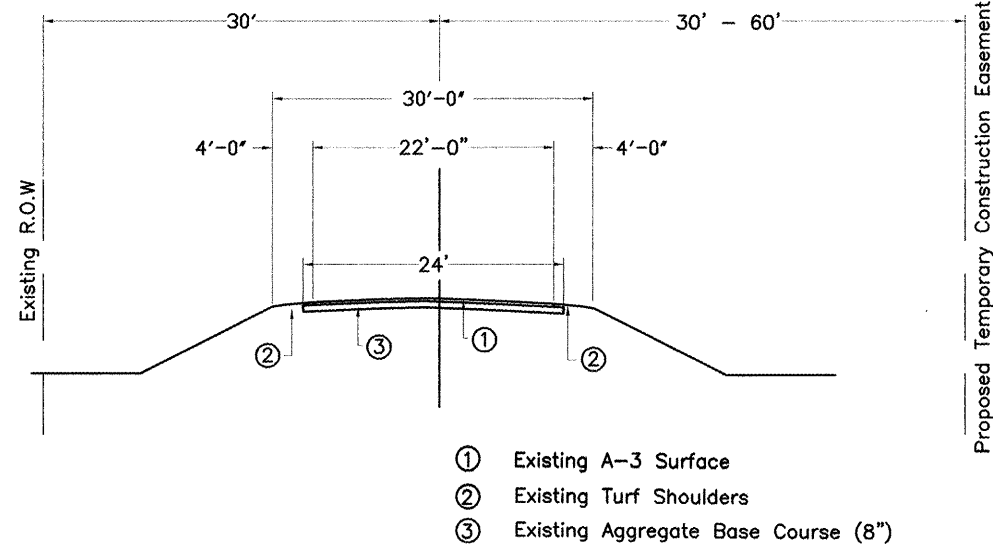
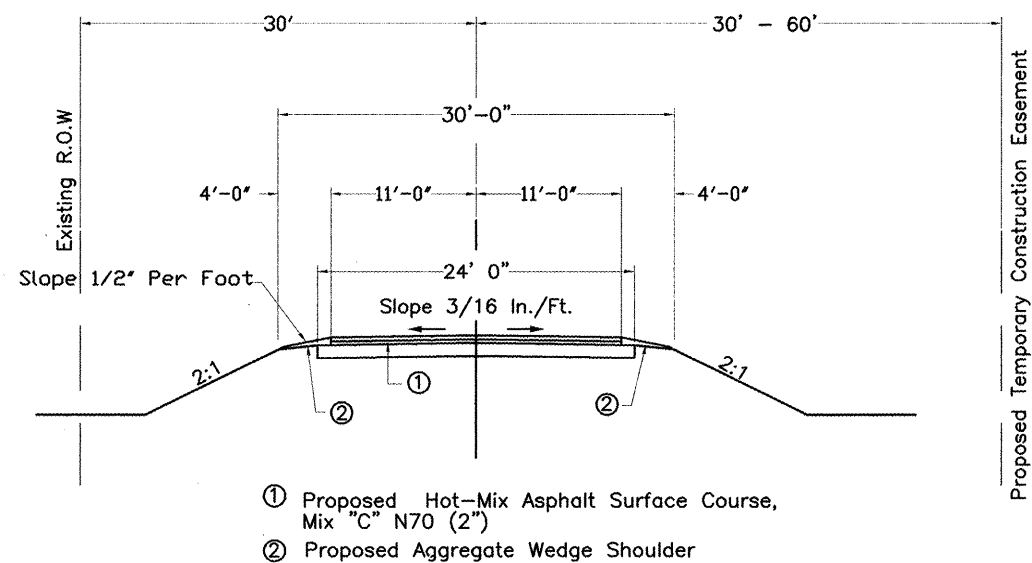


CONTRACT NO. 97363



EXISTING TYPICAL SECTION

Sta. 104+45.33 To Sta. 106+00.56
Sta. 106+51.56 To Sta. 109+08.10



PROPOSED TYPICAL SECTION

Sta. 104+45.33 To Sta. 105+74.06
Sta. 106+78.06 To Sta. 109+08.10

QUANTITIES USED FOR ESTIMATING

Bituminous Materials (Prime Coat) 0.07 Gal./Sq.Yd.

SUMMARY OF QUANTITIES

Bridge Construction Code - X081-2A

Quantity	Unit	Item	Item Number
852	Cu Yd	Channel Excavation	20300100
74	Ton	Porous Granular Embankment	20700110
461	Ton	Stone Dumped Riprap, Class A4	28100807
18	Ton	Aggregate Base Course, Type B	35101400
62	Gallon	Bituminous Material (Prime Coat)	40600100
73	Sq Yd	Hot-Mix Asphalt Surface Removal - Butt Joint	40600982
138	Ton	Hot-Mix Asphalt Surface Course, Mix "C", N70	40603315
17	Ton	Aggregate Shoulders, Type B	48101200
1	L Sum	Removal of Existing Structures	50100200
27.8	Cu Yd	Concrete Structures	50300225
4.2	Cu Yd	Concrete Encasement	50300280
3140	Pound	Reinforcement Bars	50800105
205	Foot	Steel Railing , Type SM	50901050*
450	Foot	Furnishing Steel Piles HP12X53	51201600
450	Foot	Driving Piles	51202305
2	Each	Test Pile Steel HP12X53	51203600
12	Each	Pile Shoes	51204650
1	Each	Name Plates	51500100
341	Sq Yd	Waterproofing Membrane System	58100200
922	Foot	Portland Cement Mortar Fairing Course	58300100
2	Each	Traffic Barrier Terminal, Type 6A	63100087*
2	Each	Traffic Barrier Terminal Type 1, Special (Tangent)	63100167*
1	L Sum	Mobilization	67100100
2	Each	Terminal Marker-Direct Applied	78201000*
3073	Sq Ft	Precast Prestressed Concrete Deck Beams (42" Depth)	XX003515
83	Cu Yd	Structure Excavation	50200100

* Denotes Specialty Items.

△ Revised 2-19-09

GENERAL NOTES

- All Construction Signs shall be 48 inch Fluorescent Orange.
- Pavement Marking to be done by Others.