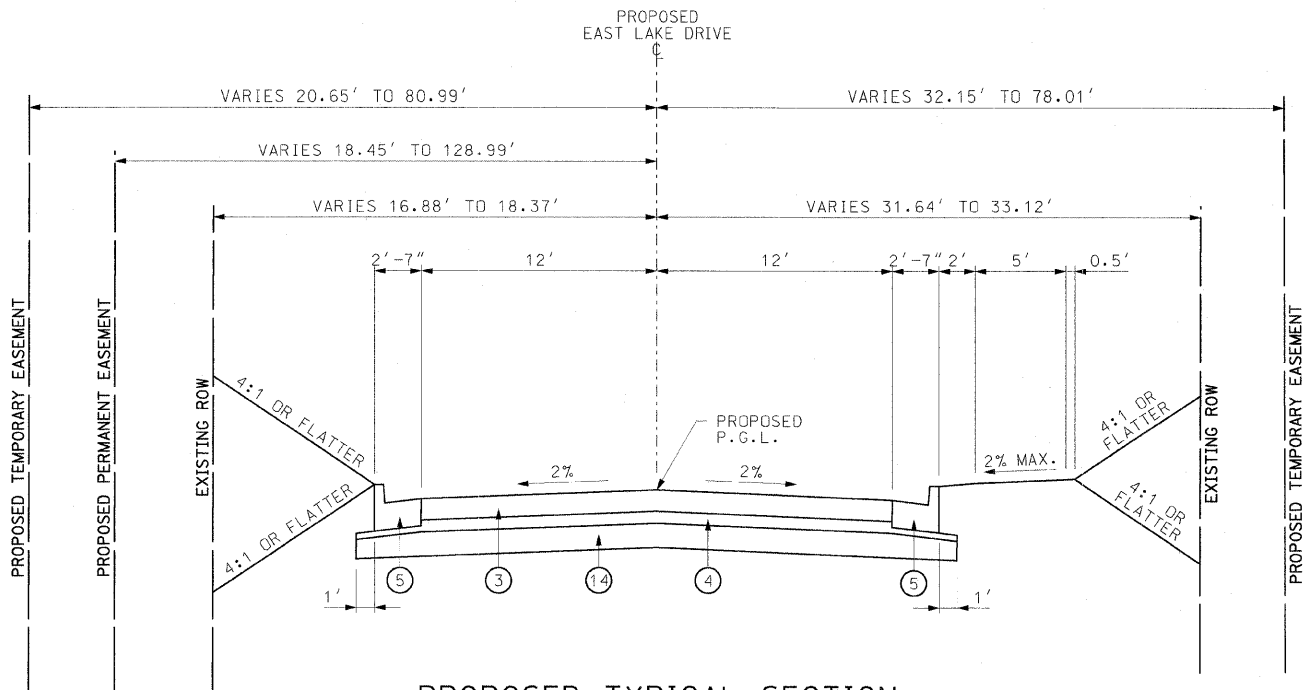
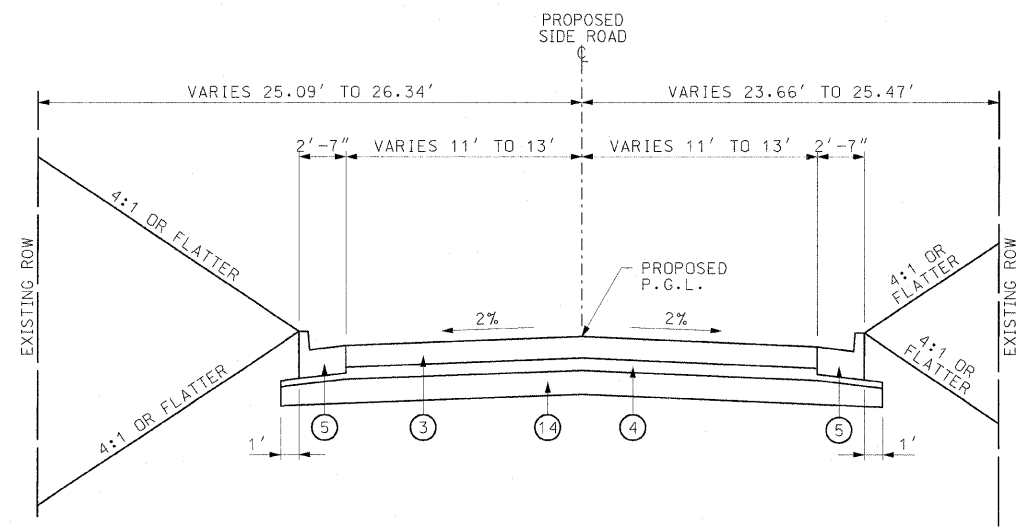


F.A.U. RTE.	SECTION	COUNTY	TOTAL SHEETS	SHEET NO.
8894	05-00073-01-PV	MADISON	68	5
STA. N.A.		TO STA. N.A.		
FED. ROAD DIST. NO.	ILLINOIS	FEDERAL AID PROJECT		

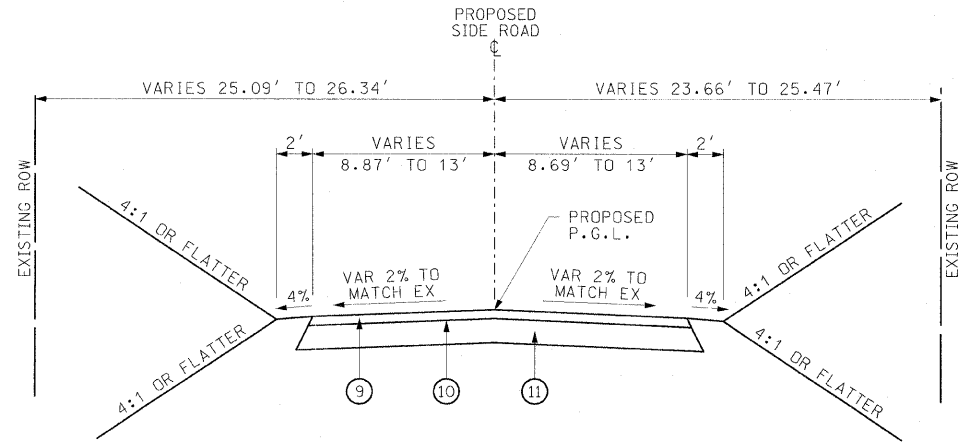


PROPOSED TYPICAL SECTION
 EAST LAKE DRIVE (LOOKING EAST) - FROM GERBER ROAD TO 57.00' RT OF GERBER ROAD

1



PROPOSED TYPICAL SECTION
 WEST LAKE DRIVE (LOOKING EAST) - FROM GERBER ROAD TO 105.42' RT OF GERBER ROAD &
 RICHETTA DRIVE (LOOKING EAST) - FROM 70.11' LT OF GERBER ROAD & TO GERBER ROAD
 LEE DRIVE (LOOKING EAST) - FROM 41.08' LT OF GERBER ROAD & TO GERBER ROAD



PROPOSED TYPICAL SECTION
 TRANSITIONAL PAVEMENT
 STA 103+12.00 TO STA 103+79.86 (BRIAR LANE)
 WEST LAKE DRIVE (LOOKING EAST) - FROM 105.42' RT TO 140.14' RT OF GERBER ROAD &
 RICHETTA DRIVE (LOOKING WEST) - FROM 70.11' LT TO 102.99' LT OF GERBER ROAD &
 LEE DRIVE (LOOKING WEST) - FROM 41.08' LT TO 51.08' LT OF GERBER ROAD &

1

1

LEGEND

- ① EXISTING BITUMINOUS CONCRETE SURFACE COURSE, ± 2"
- ② EXISTING OIL & CHIP AND AGGREGATE BASE, ± 5"
- ③ PROPOSED HOT-MIX ASPHALT PAVEMENT (FULL DEPTH), 7" (1 1/2" SURFACE COURSE, 5 1/2" BINDER COURSE)
- ④ PROPOSED SUB-BASE GRANULAR MATERIAL, TYPE A, 4"
- ⑤ PROPOSED COMBINATION CONCRETE CURB AND GUTTER, TYPE B-6.24
- ⑥ PROPOSED PORTLAND CEMENT CONCRETE SIDEWALK, 4"
- ⑦ PROPOSED SEGMENTAL CONCRETE BLOCK WALL
- ⑧ PROPOSED 3/4" THICK PREFORMED EXPANSION JOINT FILLER (COST INCIDENTAL TO PROPOSED P.C.C. SIDEWALK, 4" OR MISCELLANEOUS CONCRETE, 4")
- ⑨ PROPOSED HOT-MIX ASPHALT SURFACE COURSE, MIX "C", N70, 3"
- ⑩ PROPOSED BITUMINOUS MATERIALS (PRIME COAT)
- ⑪ PROPOSED SUB-BASE GRANULAR MATERIAL, TYPE A, 8"
- ⑫ PROPOSED FENCE (SPECIAL)
- ⑬ PROPOSED MISCELLANEOUS CONCRETE, 4"
- ⑭ PROCESSING MODIFIED SOIL, 8"
- ⑮ DECORATIVE ROCK STRIP, 4"

REVISIONS	
NAME	DATE
REVISION #1	2/6/09

ILLINOIS DEPARTMENT OF TRANSPORTATION

TYPICAL SECTIONS

SCALE: VERT. NTS
 HORIZ. NTS
 DATE 1/4/08
 DRAWN BY AJK, RJM
 CHECKED BY JWB