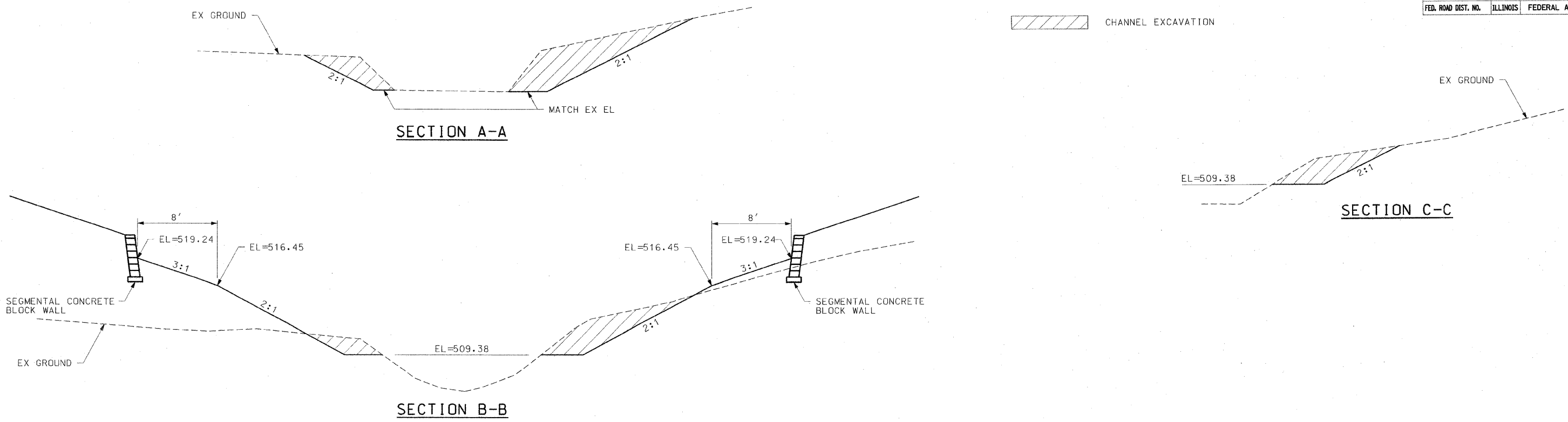
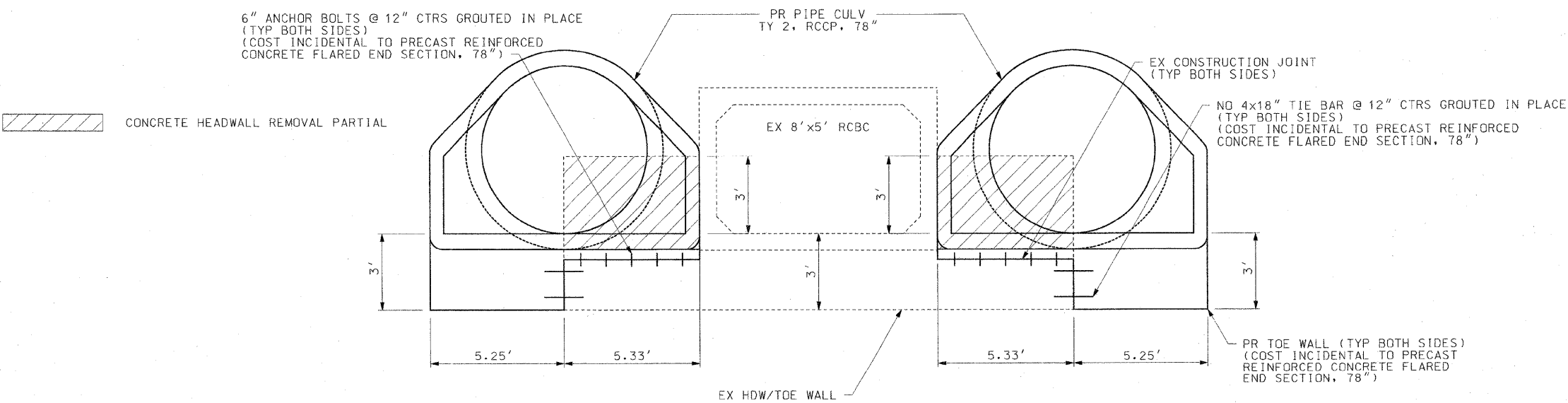


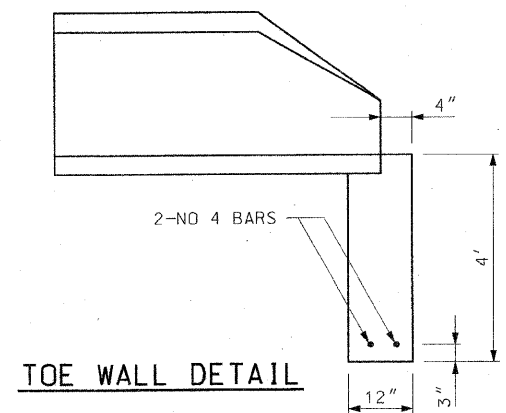
F.A.U. RTE.	SECTION	COUNTY	TOTAL SHEETS	SHEET NO.
8894	05-00073-01-PV	MADISON	68	37
STA. N.A.		TO STA. N.A.		
FED. ROAD DIST. NO.	ILLINOIS	FEDERAL AID PROJECT		



CHANNEL EXCAVATION DETAILS



PARTIAL CONCRETE HEADWALL REMOVAL DETAIL



TOE WALL DETAIL

REVISIONS	
NAME	DATE

ILLINOIS DEPARTMENT OF TRANSPORTATION

MISCELLANEOUS DETAILS

SCALE: VERT. N/A
 HORIZ. 1"=10'
 DATE 11/5/03

DRAWN BY AJK, RJM
 CHECKED BY JWB