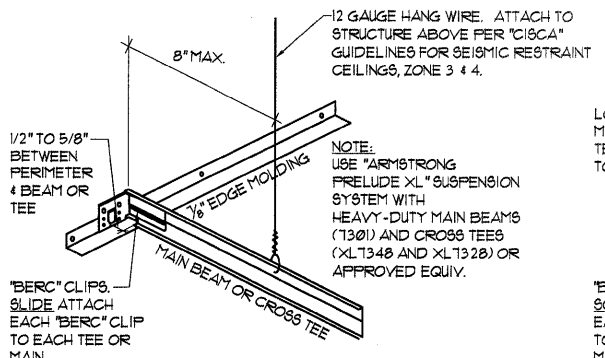
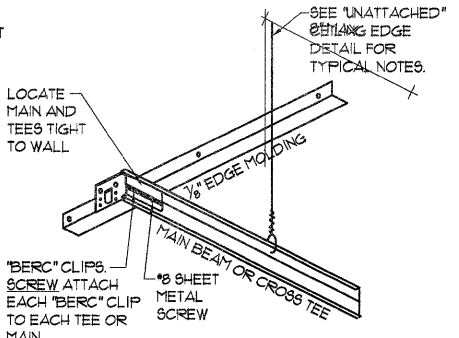


C3 SEISMIC DIAGONAL BRACING DETAIL
SCALE: NOT TO SCALE
SEISMIC ZONES C & D ON EVERY CEILING



C2 "UNATTACHED" CEILING EDGE
SCALE: NOT TO SCALE
SEISMIC ZONE D ON ADJACENT EDGES OF EVERY CEILING



C1 "ATTACHED" CEILING EDGE
SCALE: NOT TO SCALE
SEISMIC ZONE D ON ADJACENT EDGES OF EVERY CEILING

SEISMIC BRACING NOTES

1. THE WIDTH OF THE PERIMETER SUPPORTING CLOSURE ANGLE SHALL BE NOT LESS THAN 2" IN EACH ORTHOGONAL HORIZONTAL DIRECTION. ONE END OF THE CEILING GRID SHALL BE ATTACHED TO THE CLOSURE ANGLE. THE OTHER END IN EACH HORIZONTAL DIRECTION SHALL HAVE A 3/4" CLEARANCE FROM THE WALL AND SHALL REST UPON AND BE FREE TO SLIDE ON THE 2" CLOSURE ANGLE. THE MAIN AND CROSS RUNNERS SHALL BE TIED TOGETHER TO PREVENT TWISTING.
2. SUSPENDED CEILING EXCEEDING 2300 SQ. FT. SHALL HAVE A SEPARATION JOINT.
3. CEILING LESS THAN 144 SQ. FT. WITH WALLS CONNECTED DIRECTLY TO STRUCTURE ABOVE ARE EXEMPT FROM SEISMIC LATERAL REQUIREMENTS. ADD ONE 12 GAUGE SUPPLEMENTARY GRID HANGER WITHIN 3" OF EACH LIGHT FIXTURE CORNER.

REFLECTED CEILING SYMBOLS
SEE LIGHTING PLAN FOR LIGHT FIXTURE SCHEDULE

	LINEAR FLUORESCENT PENDANT
	CEILING FAN
	TRACK LIGHTING 4 FIXTURES
	2x4 LAY-IN FLUORESCENT
	1x4 SURFACE MOUNT FLUORESCENT
	UNDER CABINET LIGHTING
	UTILITY FIXTURE
	CAN LIGHT
	COMBINATION EXIT SIGN / EMERGENCY LIGHT
	EMERGENCY LIGHTING BATTERY WALL PACK WITH WHITE ENCLOSURE
	SUPPLY AIR GRILLE
	RETURN AIR GRILLE
	EXHAUST FAN

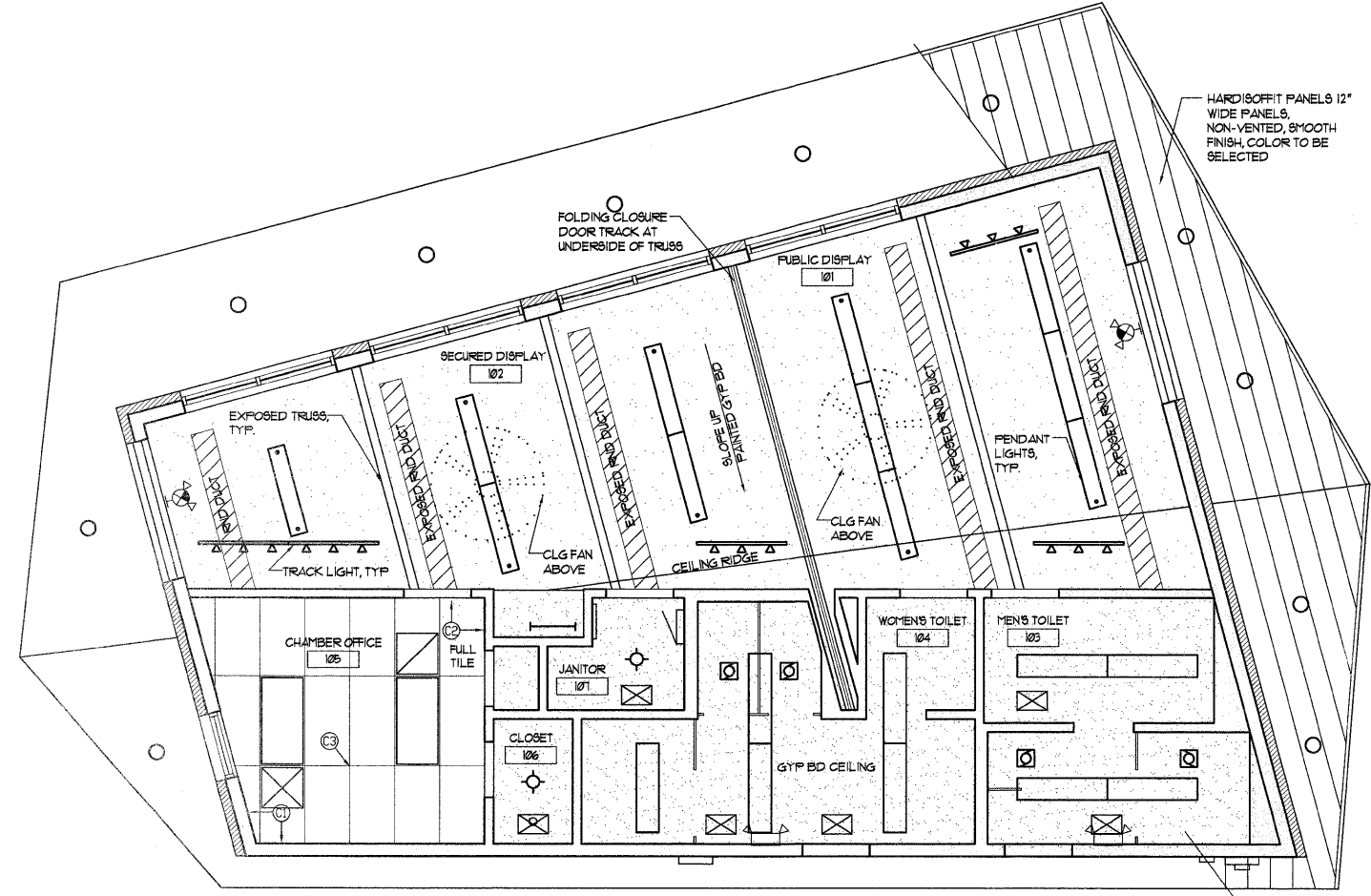
GENERAL NOTES

1. TAPE AND PAINT ALL GYP. BOARD CEILING, TYP.
2. SEE FINISH MATERIAL SCHEDULE FOR CEILING MATERIALS AND HEIGHTS.
3. PROVIDE SEISMIC ATTACHMENTS PER DETAIL C1, C2, C3
4. CENTER CEILING ITEMS SUCH AS DIFFUSERS, LIGHTS, ETC IN 2x2 SECTION OF TILES

KEYED NOTES

1. "ATTACHED" CEILING PERIMETER PER SEISMIC REQUIREMENTS, SEE DETAIL C1, THIS SHEET.
2. "UNATTACHED" CEILING PERIMETER PER SEISMIC REQUIREMENTS, SEE DETAIL C2, THIS SHEET.

01.09.09 IDOT Submittal
Issued description



REFLECTED CEILING PLAN

CHESTER WELCOME CENTER
Chester, Illinois

QUADRANT design
architects & planners

135 south main street
waterloo, illinois 62298
phone 618.939.0606

Job number 20525
drawn by JE
checked by MS
file name Chester Center Plan
scale noted

1 REFLECTED CEILING PLAN
SCALE: 1/4" = 1'-0"
PROJECT NORTH TRUE NORTH