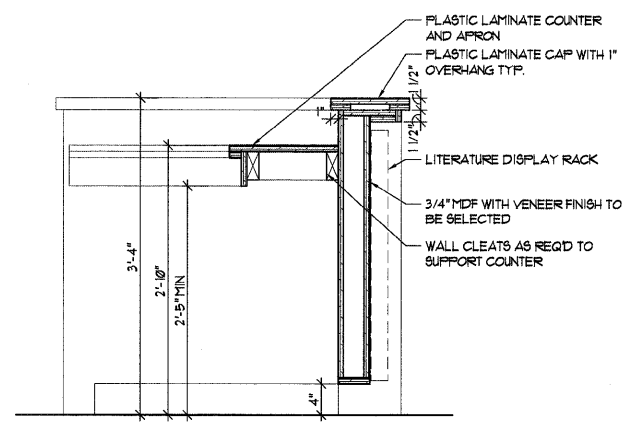
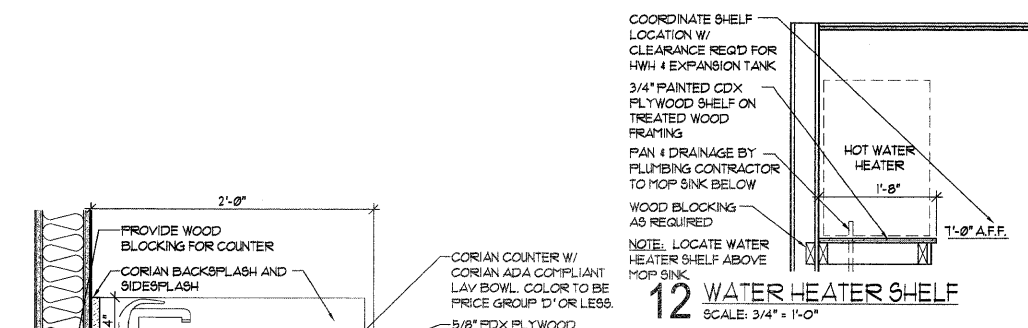


1. NO GENERAL NOTES ON THIS SHEET.

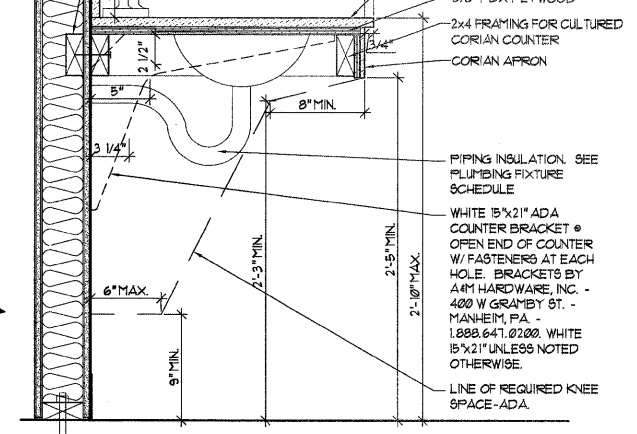
TOILET ROOM ACCESSORY SCHEDULE			
FIXTURE	MFG	MODEL	REMARKS
GRAB BARS	BOBRICK OR EQ.	B-6006	ONE 18" ONE 36" AND ONE 42" PER ACCESSIBLE WC
FRAMED MIRROR	BOBRICK OR EQ.	B-290 2436	ONE PER LAV. 24x36 W/STAINLESS FRAME
TOILET PAPER DISPENSERS	GEORGIA PACIFIC OR EQUIV.	B2102	MICRO-TWIN DOUBLE ROLL COVERED BATHROOM TISSUE DISPENSER. COLOR TO BE SELECTED.
SANITARY NAPKIN DISPOSAL	BOBRICK OR EQ.	B-210	ONE PER NEW WOMEN'S W.C.
SOAP DISPENSERS	BOBRICK OR EQ.	B-2111	ONE PER TOILET ROOM. SEE INTERIOR ELEVATIONS.
HAND DRYER	EXCEL DRYER OR EQUIV.	XLERATOR	ONE PER LAV. WITH XLERATOR ADA RECESS KIT. COLOR TO BE SELECTED.
TOILET PARTITIONS	METPAIR CORP. OR EQUIV.	POWER SHIELD	FLOOR MOUNTED, OVERHEAD BRACED, PAINTED STEEL. COLOR TO BE SELECTED.
COAT HOOKS	BOBRICK OR EQ.		ONE IN EACH W.C. STALL
BABY CHANGING STATION	KOALA KARE	KB-100-00	ONE PER TOILET ROOM. SEE INTERIOR ELEVATIONS.



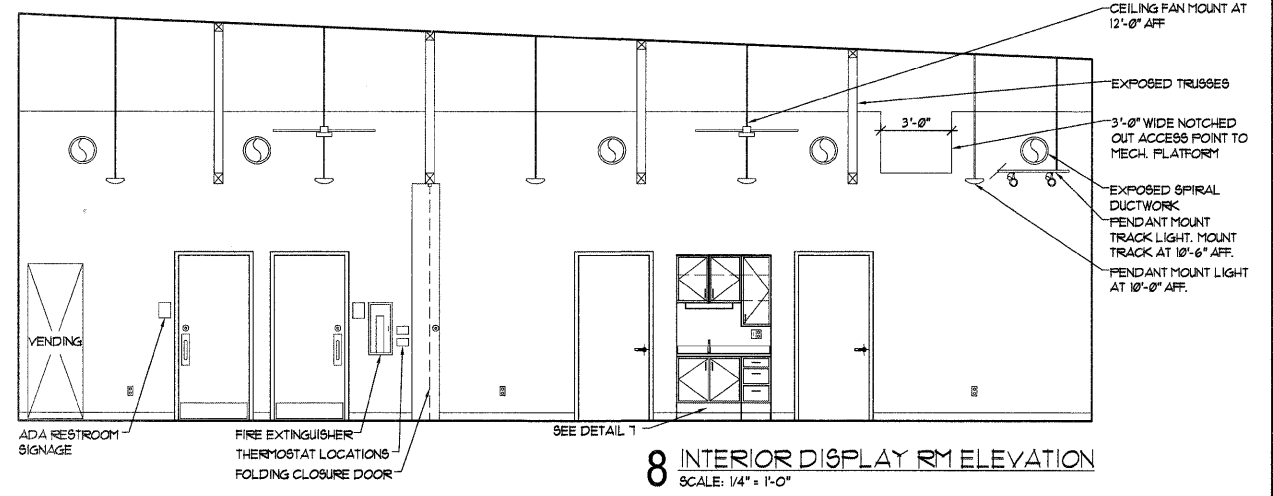
16 BROCHURE DESK DETAIL
SCALE: 1/2" = 1'-0"



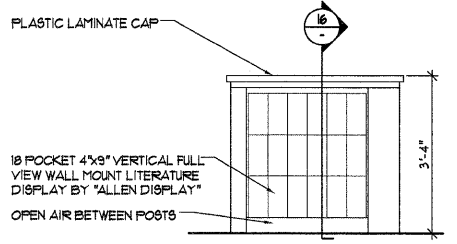
12 WATER HEATER SHELF
SCALE: 3/4" = 1'-0"



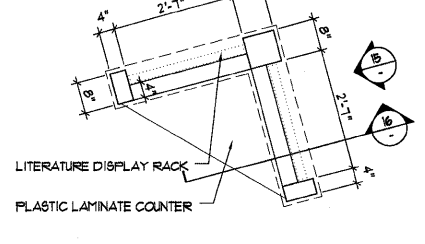
11 ACCESSIBLE SINK SECTION
SCALE: 1 1/2" = 1'-0"



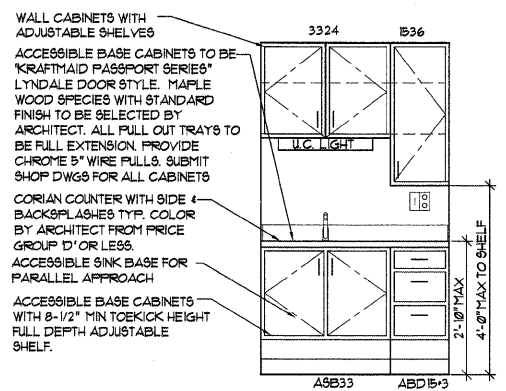
8 INTERIOR DISPLAY RM ELEVATION
SCALE: 1/4" = 1'-0"



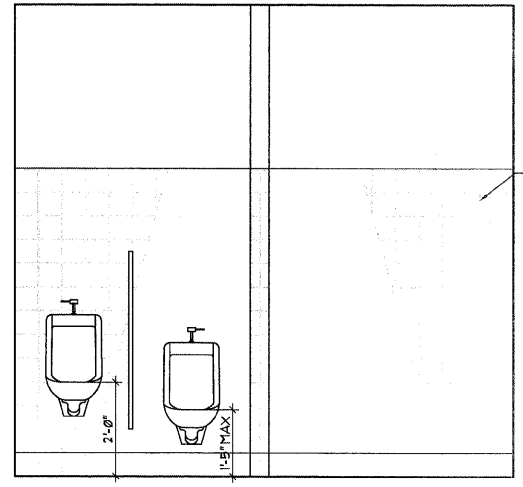
15 BROCHURE DESK ELEV.
SCALE: 1/2" = 1'-0"



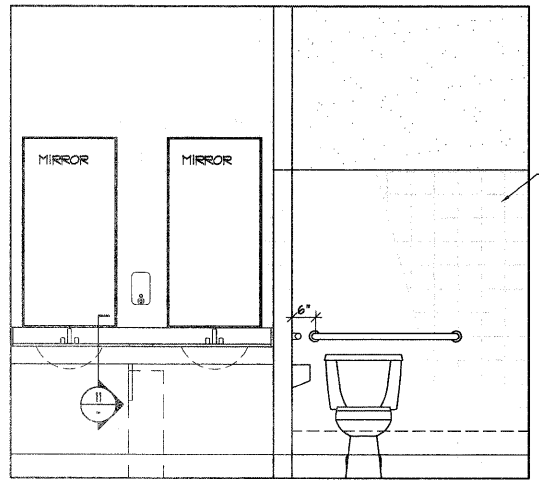
14 BROCHURE DESK PLAN
SCALE: 1/2" = 1'-0"



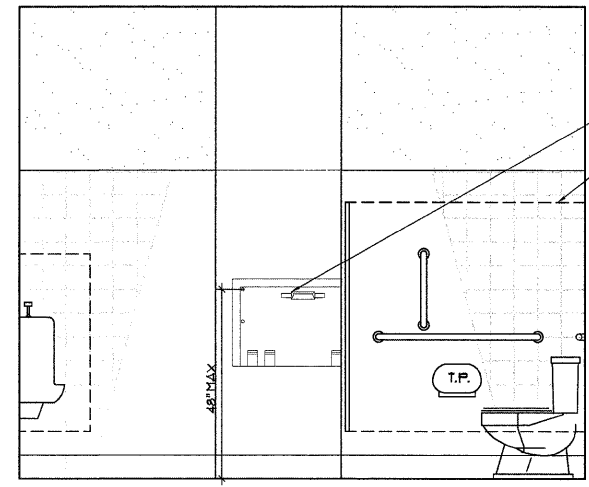
7 INTERIOR DISPLAY RM ELEVATION
SCALE: 1/2" = 1'-0"



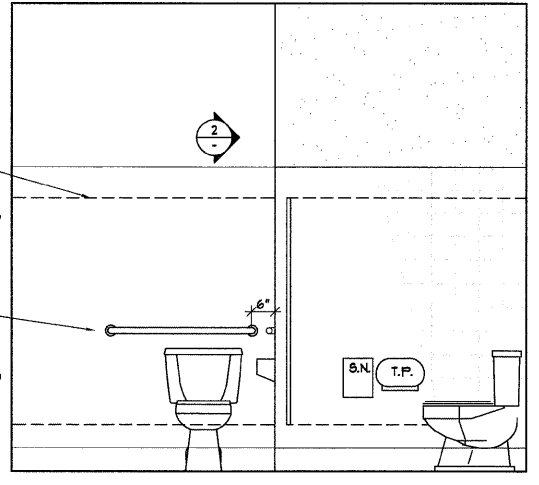
6 MENS TOILET RM ELEV.
SCALE: 1/2" = 1'-0"



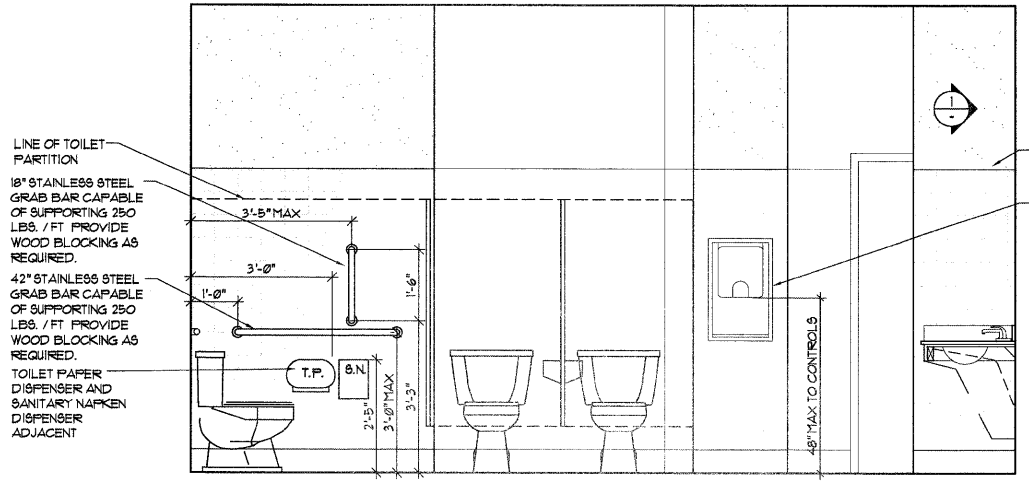
5 MENS TOILET RM ELEV.
SCALE: 1/2" = 1'-0"



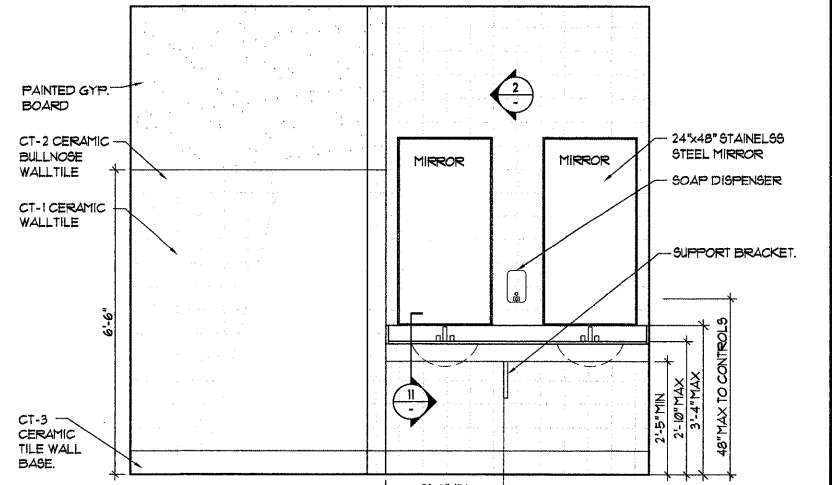
4 MENS TOILET RM ELEV.
SCALE: 1/2" = 1'-0"



3 WOMENS TOILET RM ELEV.
SCALE: 1/2" = 1'-0"



2 WOMENS TOILET RM ELEV.
SCALE: 1/2" = 1'-0"



1 WOMENS TOILET RM ELEV.
SCALE: 1/2" = 1'-0"

INTERIOR ELEVATIONS & DETAILS

CHESTER WELCOME CENTER

Chester, Illinois

QUADRANT design architects & planners

135 south main street
waterloo, illinois 62298
phone 618.939.0606

job number 20525
drawn by JE
checked by M6
file name W.Center Detail
scale noted