



☐ **CORPORATE OFFICE**
4940 OLD COLLINSVILLE RD.
SWANSEA, ILLINOIS 62226
TEL (618) 624-4488
FAX (618) 624-6888
corp@twm-inc.com

☑ **WATERLOO OFFICE**
113 SOUTH MAIN STREET
WATERLOO, ILLINOIS 62298
TEL (618) 939-5050
FAX (618) 939-3938
waterloo@twm-inc.com

☐ **EDWARDSVILLE OFFICE**
1015B CENTURY DRIVE
EDWARDSVILLE, ILLINOIS 62025
TEL (618) 656-4040
FAX (618) 656-4343
edwardsville@twm-inc.com

☐ **ST. LOUIS OFFICE**
1001 CRAIG ROAD, SUITE 260
ST. LOUIS, MISSOURI 63146
TEL (314) 236-5052
FAX (314) 872-2194
stlouis@twm-inc.com

PROFESSIONAL REGISTRATIONS	LICENSE NO.
ILLINOIS PROFESSIONAL DESIGN FIRM	184-011220
ILLINOIS PROFESSIONAL ENGINEERING CORP.	62-053370
PROFESSIONAL STRUCTURAL ENGR. CORP.	61-005202
ILLINOIS PROF. LAND SURVEYING CORP.	048-000029
MISSOURI PROFESSIONAL ENGR. CORP.	NC 001528
MISSOURI LAND SURVEYING CORP.	NC 000346

SEAL

Signature: _____
Signature Date: _____
Expiration Date: _____

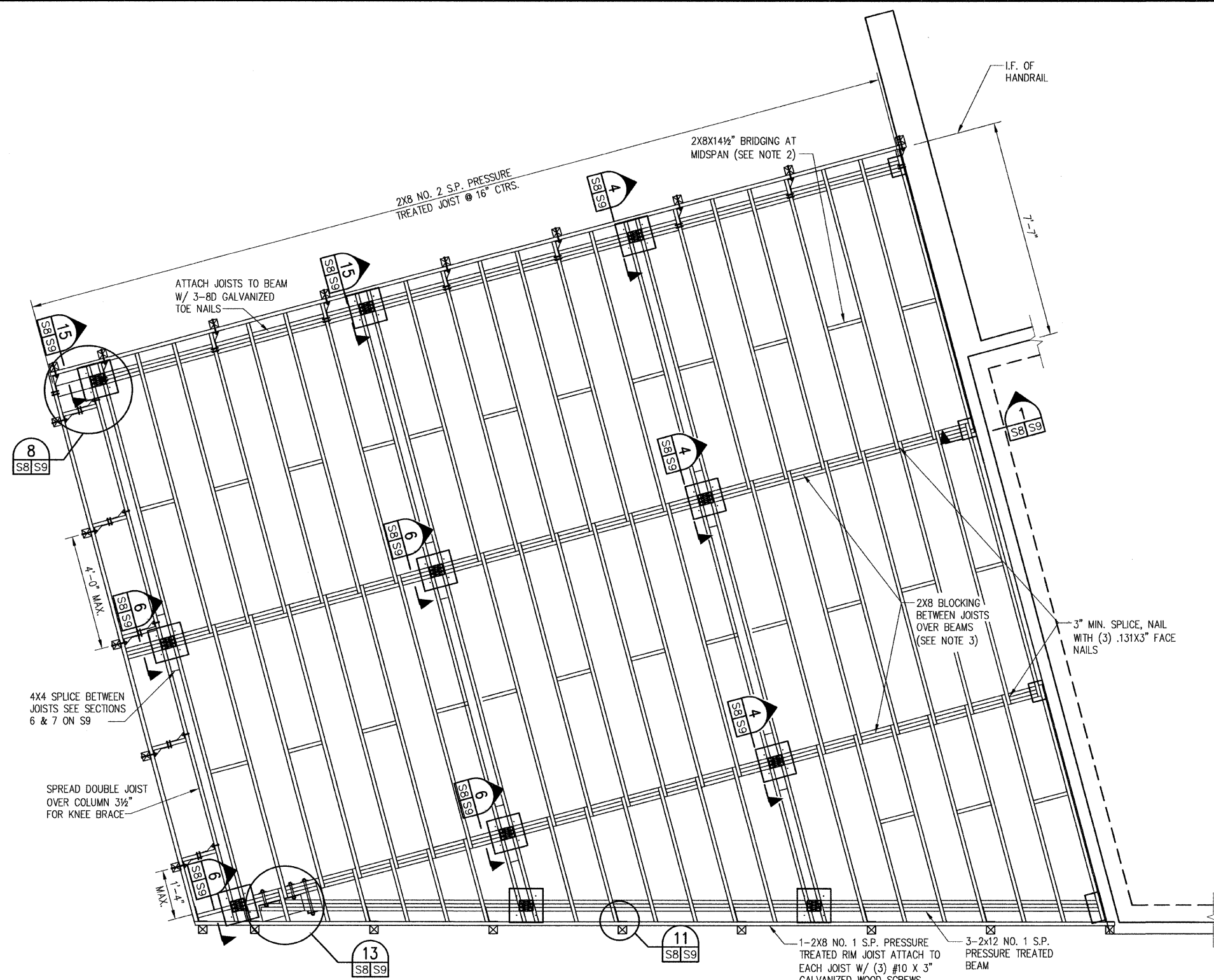
STATEMENT OF RESPONSIBILITY
I hereby confirm that the document herein to be authenticated by my seal is restricted to this sheet, and I hereby disclaim any responsibility for all other drawings, specifications, estimates, reports or other documents or instruments relating to or intended to be utilized for any other part of the architecture, engineering or survey project.

TITLE: **DECK FRAMING PLAN**

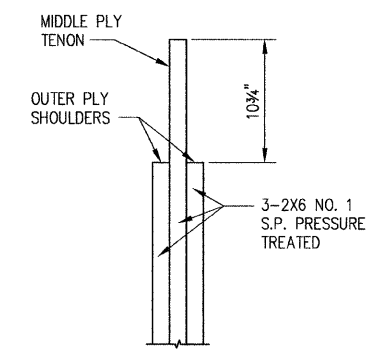
PROJECT: **CHESTER WELCOME CENTER**

REV.	DATE	DESCRIPTION
△	12/16/08	REVISIONS PER IDOT COMMENTS
△		
△		

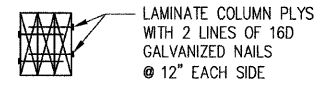
DRAWN BY: DJH	SHEET
DESIGNED BY: DJH	S8
CHECKED BY: KPC	OF 9 SHEETS
APPROVED BY: KPC	PROJECT DESCRIPTION
PROJECT NUMBER: 050421	
<input checked="" type="checkbox"/> ISSUED FOR REVIEW	<input type="checkbox"/> ISSUED FOR BIDDING
<input type="checkbox"/> ISSUED FOR CONSTR.	<input type="checkbox"/> RECORD DRAWING



- FRAMING NOTES:**
- WHERE JOISTS ARE NOT CONTINUOUS OVER BEAMS LAP 3" AND FASTEN WITH 3-.131x3" GALVANIZED NAILS.
 - FASTEN BRIDGING TO JOISTS WITH 2-.131x3" GALVANIZED TOENAILS INTO EACH END OF 2X8.
 - 2X8 BLOCKING SHALL BE PLACED BETWEEN JOISTS ABOVE BEAMS IN SAME JOIST SPACES AS MIDSPAN BRIDGING. BLOCKING SHALL BE TIGHT FIT AND FASTENED TO JOISTS WITH 2-.131x3" GALVANIZED TOENAILS AT EACH END AND TOE NAILED TO THE BEAM WITH 2-.131x3" GALVANIZED NAILS.

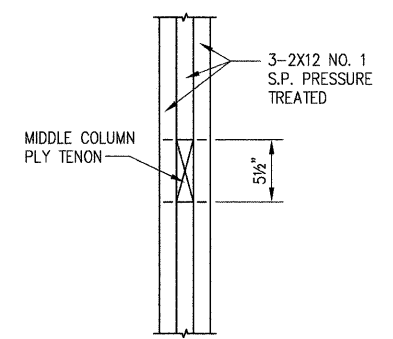


ELEVATION

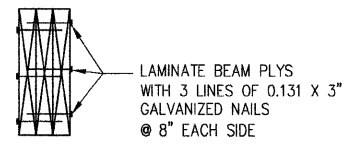


SECTION

COLUMN DETAILS



PLAN



SECTION

BEAM DETAILS