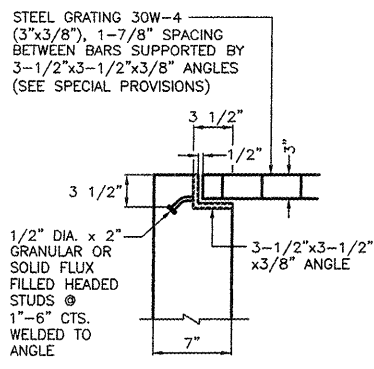
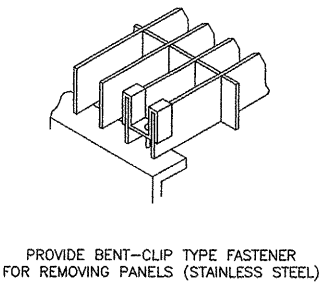


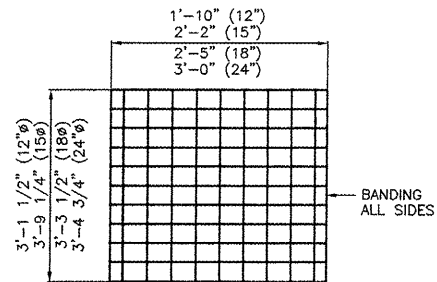
DETAIL A
NO SCALE



SECTION-B
NO SCALE

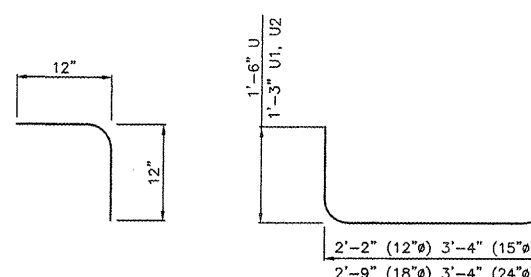


PROVIDE BENT-CLIP TYPE FASTENER FOR REMOVING PANELS (STAINLESS STEEL)
SADDLE CLIP
NO SCALE



GRATING DETAILS - PLAN VIEW

NO SCALE
 ONE SECTION OF GRATING DETAILED.
 TOTAL OF 3 SECTIONS REQUIRED FOR 12" & 15".
 TOTAL OF 4 SECTIONS REQUIRED FOR 18"
 TOTAL OF 5 SECTIONS REQUIRED FOR 24".
 SEE SPECIAL PROVISIONS FOR FURTHER DETAILS.



BAR L
NO SCALE

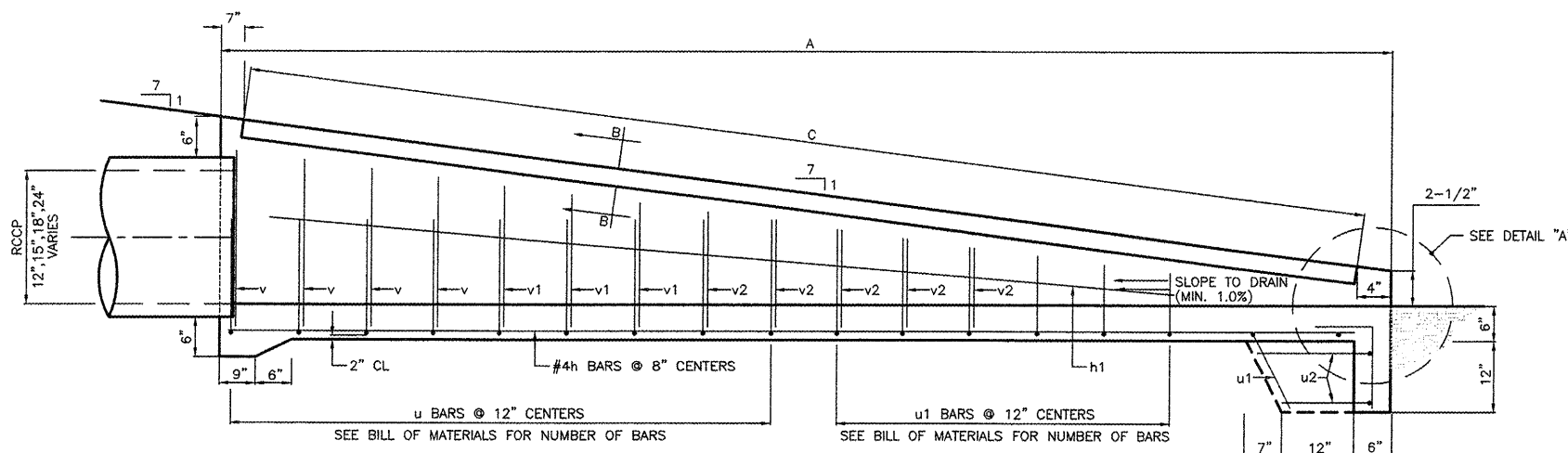
BAR U, U1 AND U2
NO SCALE

BILL OF MATERIALS
INLET BOX

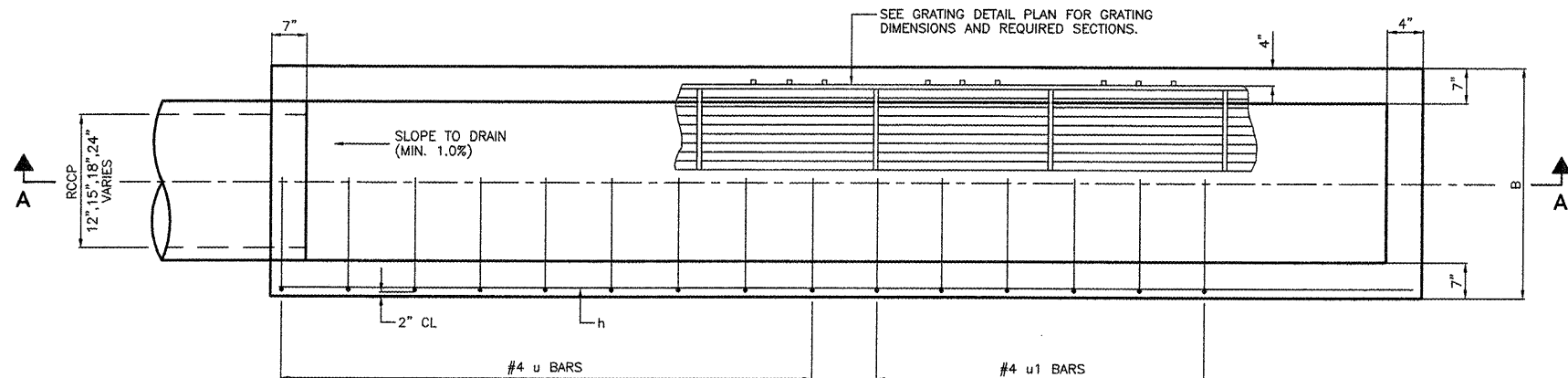
TYPE	BAR	QUANTITY	SIZE	LENGTH
12"	h	4	#4	9'-11"
15"	h	4	#4	11'-7"
18"	h	6	#4	13'-8"
24"	h	6	#4	17'-6"
12"	h1	2	#4	8'-0"
15"	h1	2	#4	10'-0"
18"	h1	2	#4	12'-0"
24"	h1	2	#4	15'-0"
12"	L	4	#4	2'-0"
15"	L	4	#4	2'-0"
18"	L	4	#4	2'-0"
24"	L	4	#4	2'-0"
12"	U	4	#4	5'-2"
15"	U	6	#4	5'-6"
18"	U	8	#4	5'-9"
24"	U	12	#4	6'-4"
12"	U1	4	#4	4'-8"
15"	U1	3	#4	5'-0"
18"	U1	4	#4	5'-3"
24"	U1	4	#4	5'-10"
12"	U2	2	#4	4'-8"
15"	U2	2	#4	5'-0"
18"	U2	2	#4	5'-3"
24"	U2	2	#4	5'-10"
12"	V	4	#4	1'-4"
15"	V	4	#4	1'-8"
18"	V	6	#4	1'-10"
24"	V	6	#4	2'-5"
12"	V1	-	#4	-
15"	V1	4	#4	1'-4"
18"	V1	6	#4	1'-5"
24"	V1	6	#4	2'-0"
12"	V2	-	#4	-
15"	V2	-	#4	-
18"	V2	-	#4	-
24"	V2	8	#4	1'-6"
CONCRETE STRUCTURES				
12"Ø		CU.YD.	2	
15"Ø		CU.YD.	2	
18"Ø		CU.YD.	3	
24"Ø		CU.YD.	3	
REINFORCEMENT BARS				
12"Ø		POUND	85	
15"Ø		POUND	100	
18"Ø		POUND	145	
24"Ø		POUND	200	
GRATING				
12"Ø		SQ.FT.	18	
15"Ø		SQ.FT.	25	
18"Ø		SQ.FT.	32	
24"Ø		SQ.FT.	51	

TABLE OF DIMENSIONS

DIMENSION	12"Ø	15"Ø	18"Ø	24"Ø
A	10'-3"	12'-1"	14'-0"	17'-10"
B	2'-6"	2'-10"	3'-1"	3'-8"
C	9'-5"	11'-4"	13'-3"	17'-1"



SECTION A-A
NO SCALE



PLAN
NO SCALE

CHICAGO EXECUTIVE AIRPORT
 WHEELING/PROSPECT HEIGHTS, ILLINOIS

SLOPE BOX INLET DETAILS

© Copyright CMT, Inc.
CMT
 CRAWFORD, MURPHY & TLLY, INC.
 CONSULTING ENGINEERS
 License No. 184-000613

CHICAGO EXECUTIVE AIRPORT

DESIGN BY: ATI
 DRAWN BY: JRO
 CHECKED BY:
 APPROVED BY:
 DATE: 11/21/08
 JOB No: 06290-07
 ILLINOIS PROJECT: PWK-3613
 A.I.P. PROJECT: 3-17-0018-B39
 SHEET 23 OF 40 SHEETS