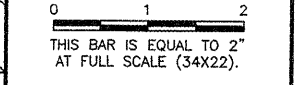


PA050
 FILE: by-lighting-3.dwg
 LAYOUT: Layout1
 UPDATE BY: mkatz
 SURVEY BOOK #
 DATE: Wed 11/19/08 1:33pm
 XREF DWG: tbcint.dwg
 tb.dwg
 taxiway-base.dwg

REVISIONS		
NUMBER	BY	DATE



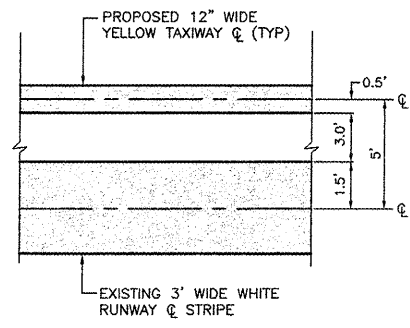
**CHICAGO EXECUTIVE AIRPORT
 WHEELING/PROSPECT HEIGHTS, ILLINOIS**

**LIGHTING AND PAVEMENT MARKING PLAN
 TAXIWAY L
 STA. 404+00 TO STA. 418+00**

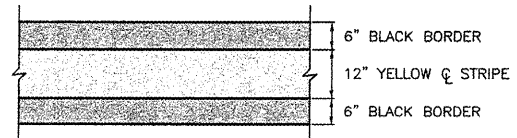
CMT
 CHAWFORD, MURPHY & TILLY, INC.
 CONSULTING ENGINEERS
 License No. 184-000613

CHICAGO EXECUTIVE AIRPORT

DESIGN BY: MJS
 DRAWN BY: JRO
 CHECKED BY: AB
 APPROVED BY:
 DATE: 11/21/08
 JOB No: 06290-07
 ILLINOIS PROJECT: PWK-3613
 A.I.P. PROJECT: 3-17-0018-B39
 SHEET 27 OF 40 SHEETS



TAXIWAY TANGENT DETAIL
 NOT TO SCALE



TAXIWAY CENTERLINE ON PCC DETAIL
 NOT TO SCALE

AIRFIELD SIGNAGE SCHEDULE				
NEW SIGN NUMBER	NEW SIGN FACE	NEW SIGN LEGEND	NEW SIGN TYPE	NEW SIGN LOCATION
S1	E W	BLANK L	0 3	STA. 195+06.93, 50' LT. CL RUNWAY 6/24
S2	E W	L 16-34	3 1	STA. 197+42.18, 50' LT. CL RUNWAY 6/24
S3	N S	L 24-6	1,2 2	STA. 400+99.18, 50' RT. CL TAXIWAY L
S4	NW SE	D L	3,2 2	STA. 808+33.98, 45' RT. CL TAXIWAY D
S5	N S	D L	3,2 2	STA. 403+80.84, 50' RT. CL TAXIWAY L
S6	N S	L 12-30	2 2,1	STA. 406+02.01, 50' LT. CL TAXIWAY L
S7	NW SE	BLANK L	0 3	STA. 408+21.39, 75' LT. CL RUNWAY 12/30
S8	NW SE	L BLANK	3 0	STA. 410+83.76, 75' LT. CL RUNWAY 12/30

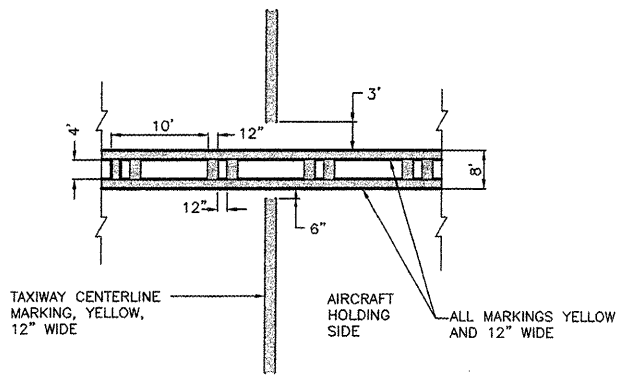
PAVEMENT MARKING NOTES

- ALL TAXIWAY MARKINGS ARE YELLOW WITH A 6" BLACK BORDER.
- THE PAVEMENT SURFACE SHALL BE CLEAN AND DRY PRIOR TO MARKING.

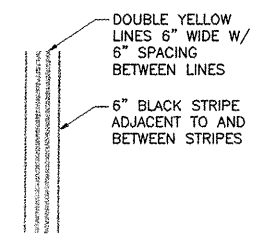
AIRFIELD SIGNAGE SCHEDULE				
NEW SIGN NUMBER	NEW SIGN FACE	NEW SIGN LEGEND	NEW SIGN TYPE	NEW SIGN LOCATION
S9	NW SE	Y L L L	0 3	STA. 410+20.34, 75' RT. CL RUNWAY 12/30
S10	NW SE	L BLANK	3 0	STA. 412+90.75, 75' RT. CL RUNWAY 12/30
S11	N S	L 30-6	1,2 2	STA. 410+47.55, 50' RT. CL TAXIWAY L
S12	N S	L Y L L3	2 3,2,3	STA. 415+18.95, 50' LT. CL TAXIWAY L
S13	W E	L3 L	2 2,3	STA. 7+25.00, 50' RT. CL TAXIWAY L3
S14	N S	L3 Y L3 L	2 3,2,3,3	STA. 16+96.87, 42.5' LT. CL TAXIWAY Y
S15	N S	BLANK K O	0 2,3	STA. 833+38.22, 50' LT. CL TAXIWAY K
S16	E W	L O	1,2 2	STA. 0+88.00, 42.5' RT. CL TAXIWAY O
S17	N S	O K	3,2 2	STA. 834+46.14, 50' RT. CL TAXIWAY K

NEW SIGN TYPE LEGEND

- 0 — BLANK PANEL — BLACK
- 1 — RUNWAY/TAXIWAY HOLDLINE — WHITE LEGEND ON RED BACKGROUND
- 2 — LOCATION SIGN — YELLOW LEGEND ON BLACK BACKGROUND
- 3 — DIRECTION/INFORMATION SIGN — BLACK LEGEND ON YELLOW BACKGROUND



ILS HOLDING POSITION MARKING
 NO SCALE



TAXIWAY EDGE MARKINGS CONTINUOUS
 NO SCALE