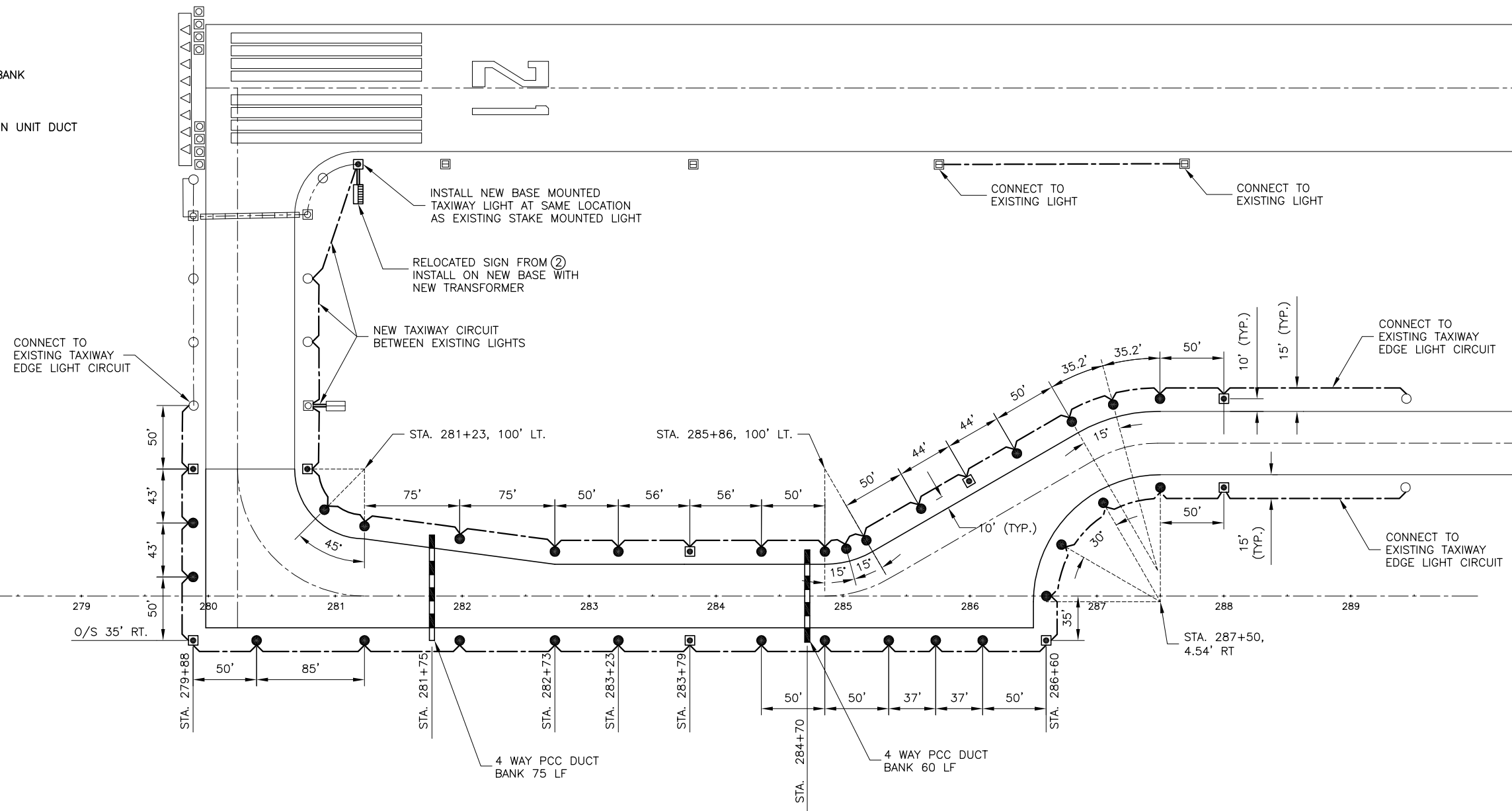
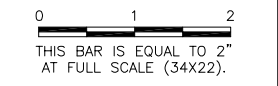


LEGEND

- EXISTING STAKE MOUNTED RUNWAY LIGHT
- EXISTING STAKE MOUNTED TAXIWAY LIGHT
- NEW STAKE MOUNTED TAXIWAY LIGHT
- EXISTING BASE MOUNTED RUNWAY LIGHT
- EXISTING BASE MOUNTED TAXIWAY LIGHT
- NEW BASE MOUNTED TAXIWAY LIGHT
- EXISTING AIRFIELD SIGNAGE
- NEW AIRFIELD SIGNAGE
- RELOCATED AIRFIELD SIGN
- EXISTING SPLICE CAN
- EXISTING DUCT BANK
- NEW 4 WAY P.C.C. DUCT BANK
- EXISTING CABLE
- NEW 1/C #8 5KV CABLE IN UNIT DUCT

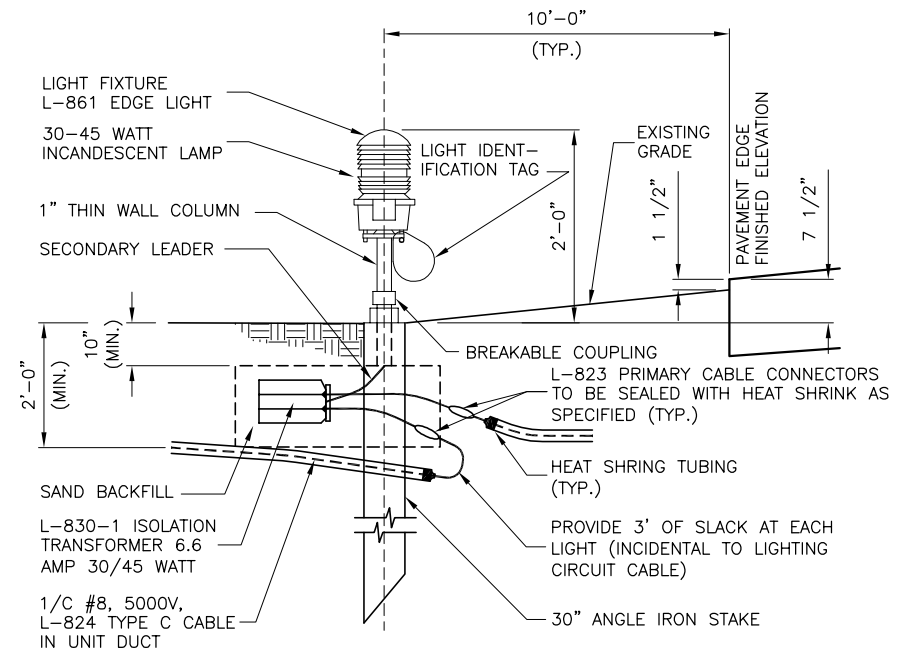
REVISIONS		
NUMBER	BY	DATE
1	JEF	2-17-09



**VERMILLION COUNTY AIRPORT**  
**DANVILLE, ILLINOIS**  
**EXTEND PARALLEL TAXIWAY 600 FEET**  
**ELECTRICAL & LIGHTING PLAN**

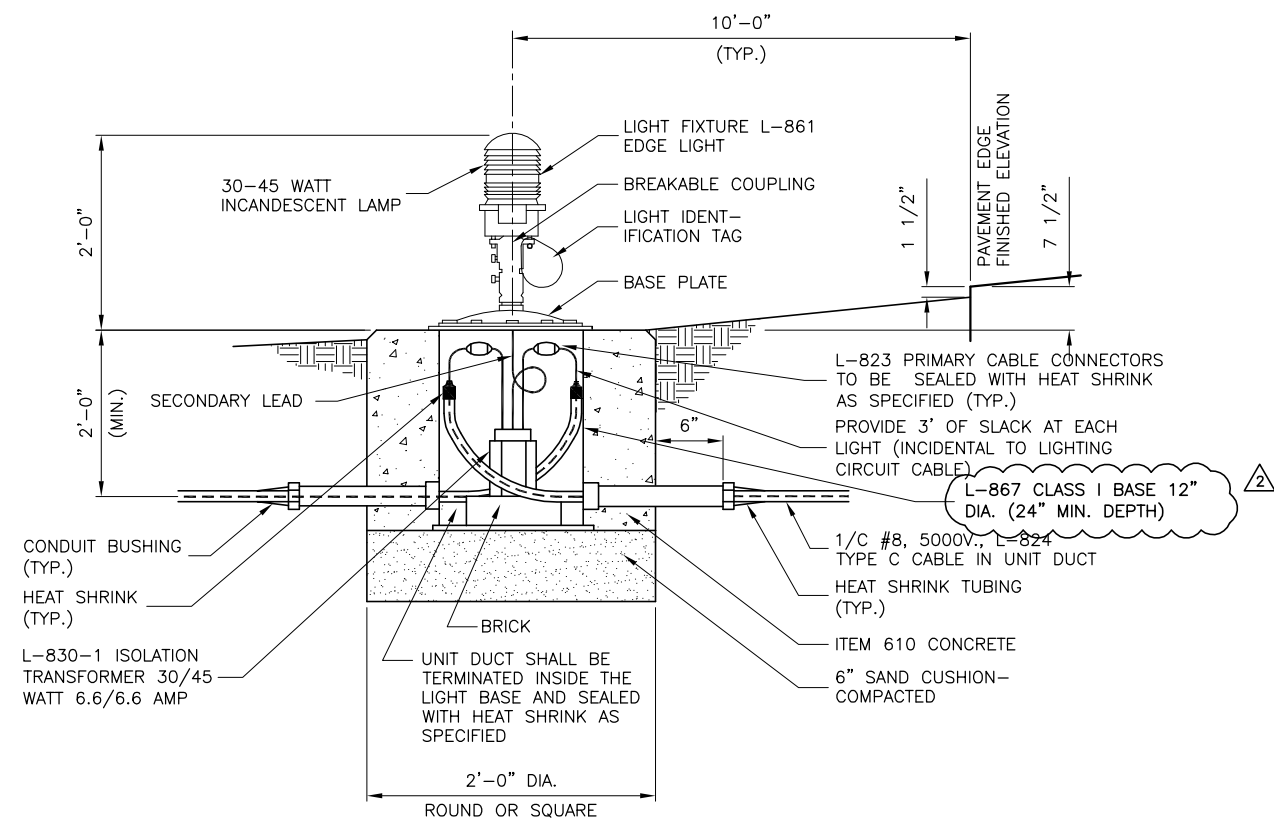
© Copyright GMT, Inc.  
**GMT**  
 CRAWFORD, MURPHY & TILLY, INC.  
 CONSULTING ENGINEERS  
 License No. 184-000613

DESIGN BY:	JEF
DRAWN BY:	DPA
CHECKED BY:	JEF
APPROVED BY:	JEF
DATE:	01/09/2009
JOB No:	05042-0300
ILLINOIS PROJECT DNV-3537	
A.I.P. PROJECT 3-17-0032-B10	
SHEET 13A OF 26 SHEETS	



UNIT DUCT SHALL BE TERMINATED AT THE L-823 CONNECTORS AND SEALED WITH HEAT SHRINK AS SPECIFIED.

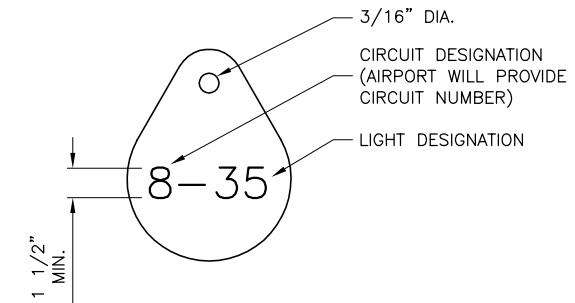
**STAKE MOUNTED MEDIUM INTENSITY MARKER LIGHTS**  
 N.T.S.



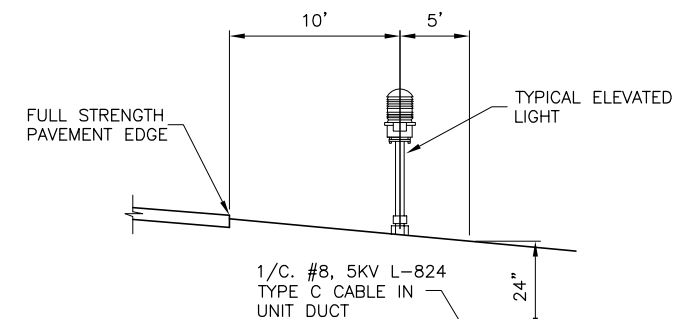
**BASE MOUNTED MEDIUM INTENSITY MARKER LIGHTS**  
 N.T.S.

**NOTES**

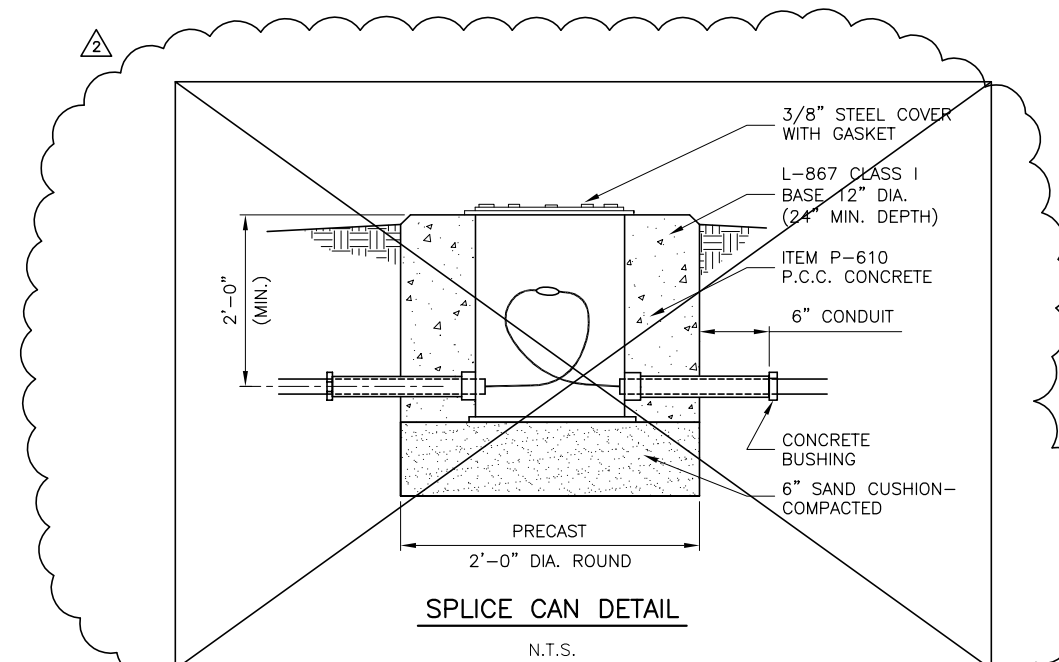
1. INSTALL A NONCORROSIVE DISC OF 2" MINIMUM DIAMETER WITH THE NUMBER PERMANENTLY STAMPED, CUT OUT, OR ENGRAVED UNDER THE HEAD OF THE BASE PLATE BOLT OR ATTACHED TO LIGHT FLANGE WITH SET SCREW.
2. LEGENDS SHOWN ARE FOR ILLUSTRATIVE PURPOSES ONLY. CONTRACTOR TO COORDINATE LEGEND WITH AIRPORT.
3. THE CONTRACTOR SHALL NUMBER THE EXISTING/PROPOSED LIGHTS AND SIGNS IN EACH CIRCUIT STARTING AT THE HOMERUN CONTINUING AROUND THE ENTIRE CIRCUIT BACK TO THE HOMERUN.
4. AIRFIELD SIGNS SHALL BE TAGGED & NUMBERED.



**LIGHT IDENTIFICATION DETAIL**  
 N.T.S.



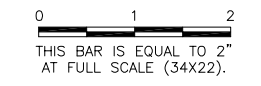
**LIGHT AND CABLE INSTALLATION DETAIL**  
 N.T.S.



**SPLICE CAN DETAIL**  
 N.T.S.

REVISIONS

NUMBER	BY	DATE
1	JEF	2-17-09



**VERMILLION COUNTY AIRPORT**  
**DANVILLE, ILLINOIS**  
**EXTEND PARALLEL TAXIWAY 600 FEET**  
**ELECTRICAL DETAILS SHEET 1**

© Copyright GMT, Inc.

**GMT**  
 CRAWFORD, MURPHY & TILLY, INC.  
 CONSULTING ENGINEERS  
 License No. 184-000613

DESIGN BY: JEF  
 DRAWN BY: DPA  
 CHECKED BY: JEF  
 APPROVED BY: JEF  
 DATE: 01/09/2009  
 JOB No: 05042-0300  
 ILLINOIS PROJECT DNV-3537  
 A.I.P. PROJECT 3-17-0032-B10  
 SHEET 15 OF 26 SHEETS