

F.A.P. RTE.	SECTION	COUNTY	TOTAL SHEETS	SHEET NO.
573	(116VB-1-1BR)BP	DEKALB	9	1
		ILLINOIS	CONTRACT NO. 66E11	

1. COVER SHEET
2. GENERAL NOTES
- 3-4. SUMMARY OF QUANTITIES
5. TYPICAL SECTION
6. STAGING DETAILS FOR STRUCTURE NO. 032-0019
- 7-9. EXISTING PLANS FOR STRUCTURE NO. 032-0019

STANDARDS

- | | |
|-----------|--|
| 000001-06 | STANDARD SYMBOLS, ABBREVIATIONS AND PATTERNS |
| 635011-02 | REFLECTOR MARKER AND MOUNTING DETAILS |
| 701001-02 | OFF-ROAD OPERATIONS 2L, 2W, MORE THAN 15' (4.5 m) AWAY |
| 701006-05 | OFF-ROAD OPERATIONS 2L, 2W, 15' (4.5 m) TO 24" (600 mm) FROM PAVEMENT EDGE |
| 701201-04 | LANE CLOSURE, 2L, 2W, DAY ONLY, FOR SPEEDS ≥ 45 MPH |
| 701206-03 | LANE CLOSURE, 2L, 2W, NIGHT ONLY, FOR SPEEDS ≥ 45 MPH |
| 701301-04 | LANE CLOSURE, 2L, 2W, SHORT TIME OPERATIONS |
| 701311-03 | LANE CLOSURE, 2L, 2W, MOVING OPERATIONS - DAY ONLY |
| 701321-14 | LANE CLOSURE, 2L, 2W, BRIDGE REPAIR WITH BARRIER |
| 701326-04 | LANE CLOSURE, 2L, 2W, PAVEMENT WIDENING, FOR SPEEDS ≥ 45 MPH |
| 701901-04 | TRAFFIC CONTROL DEVICES |
| 704001-07 | TEMPORARY CONCRETE BARRIER |

DEPARTMENT OF TRANSPORTATION

DIVISION OF HIGHWAYS

**PROPOSED
HIGHWAY PLANS**

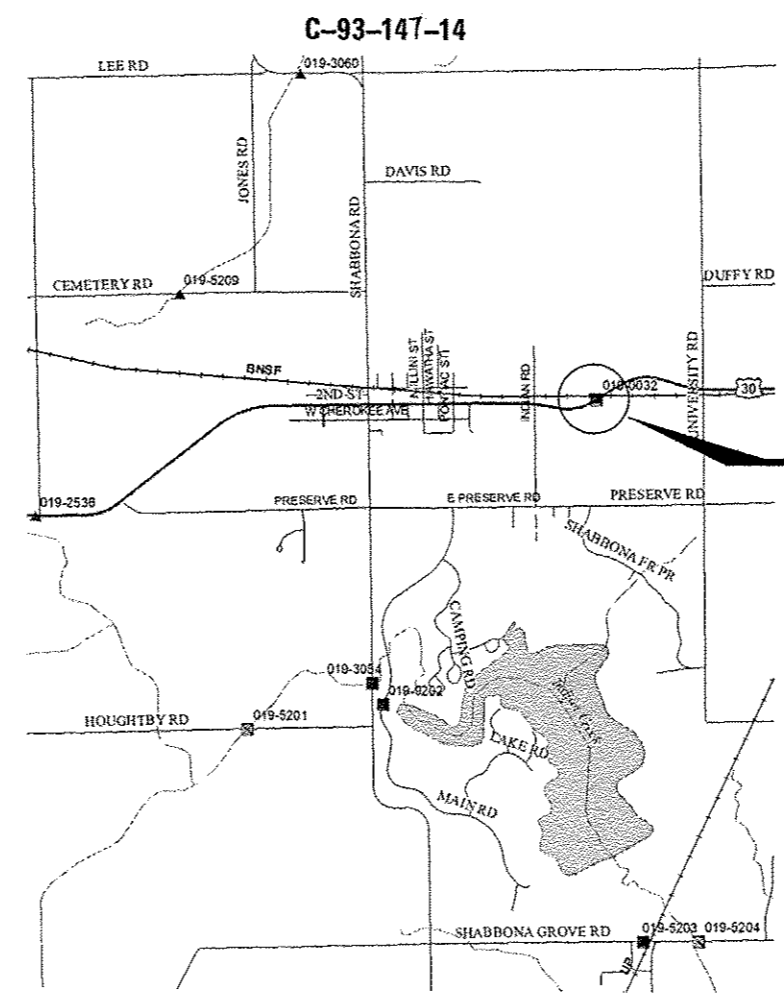
**FAP ROUTE 573 (US 30)
SECTION (116VB-1-1BR)BP**

**STRUCTURAL STEEL CLEANING AND PAINTING
DEKALB COUNTY**



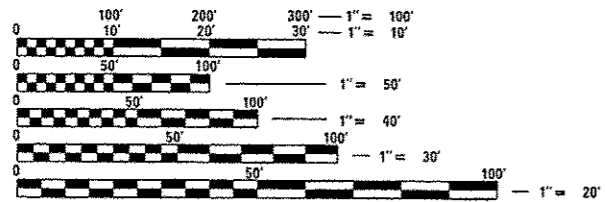
LOCATION OF SECTION INDICATED THIS: - [Red Box] -

RURAL	
MINOR ARTERIAL	
FAP 573 (US 30)	
2013	
ADT	4200
P.V.	78.45%
S.U.	5.48%
M.U.	16.07%



PROJECT LOCATION
S.N. 019-0032
STA. 357 + 63.72
OVER BNSF RAILROAD
0.50 MILES EAST
OF SHABBONA

POINT LOCATION



FULL SIZE PLANS HAVE BEEN PREPARED USING STANDARD ENGINEERING SCALES. REDUCED SIZED PLANS WILL NOT CONFORM TO STANDARD SCALES. IN MAKING MEASUREMENTS ON REDUCED PLANS, THE ABOVE SCALES MAY BE USED.

J.U.L.I.E.
JOINT UTILITY LOCATION INFORMATION FOR EXCAVATION
1-800-892-0123
OR 811

DISTRICT 3 (815) 434-6131
PROJECT ENGINEER JOE KANNEL P.E.
UNIT CHIEF RON WOODSHANK
TOWNSHIP SHABBONA

CONTRACT NO. 66E11

STATE OF ILLINOIS
DEPARTMENT OF TRANSPORTATION
DIVISION OF HIGHWAYS

SUBMITTED 12-12 20 14

Paul Laete
DEPUTY DIRECTOR OF HIGHWAYS, REGION ENGINEER

Jan 30 20 15
John D. Baranzello, PE
ENGINEER OF DESIGN AND ENVIRONMENT

Jan 30 20 15
Omer Osman, PE
DIRECTOR OF HIGHWAYS, CHIEF ENGINEER

**PRINTED BY THE AUTHORITY
OF THE STATE OF ILLINOIS**

GENERAL NOTES

THE CONTRACTOR SHALL NOT CLOSE A LANE IN THE EASTBOUND AND WESTBOUND TRAFFIC LANES AT THE SAME TIME UNLESS APPROVED IN WRITING BY THE ENGINEER.

FOR STABILIZATION, ALL TYPE III BARRICADES SHALL REQUIRE A MINIMUM OF FOUR SAND BAGS PER BARRICADE.

THE CONTRACTOR SHALL BE RESPONSIBLE FOR PROTECTING UTILITY PROPERTY FROM CONSTRUCTION OPERATIONS AS OUTLINED IN ARTICLE 107.31 OF THE STANDARD SPECIFICATIONS. THE "JULIE" NUMBER IS 1-800-892-0123. A MINIMUM OF FORTY-EIGHT (48) HOURS ADVANCE NOTICE IS REQUIRED.

WHERE SECTION OR SUBSECTION MONUMENTS ARE ENCOUNTERED, THE ENGINEER SHALL BE NOTIFIED BEFORE SUCH MONUMENTS ARE REMOVED. THE CONTRACTOR SHALL PROTECT AND CAREFULLY PRESERVE ALL MONUMENTS UNTIL AN AUTHORIZED SURVEYOR OR AGENT HAS WITNESSED OR OTHERWISE REFERENCED THEIR LOCATION. THE CONTRACTOR SHALL BE RESPONSIBLE FOR HAVING AN AUTHORIZED SURVEYOR REESTABLISH ANY SECTION OR SUBSECTION MONUMENTS DESTROYED BY HIS OPERATIONS.

ANY REFERENCE TO A STANDARD IN THESE PLANS SHALL BE INTERPRETED TO MEAN THE EDITION AS INDICATED BY THE SUBNUMBER LISTED ON THE INDEX OF SHEETS OR THE COPY OF THE STANDARD INCLUDED IN THESE PLANS.

SUITABLE ON-SITE SANITARY FACILITIES MEETING FEDERAL, STATE AND LOCAL HEALTH DEPARTMENT REQUIREMENTS SHALL BE PROVIDED AND MAINTAINED CLEAN AND IN GOOD WORKING CONDITION AND SHALL BE STOCKED WITH LAVATORY AND SANITARY SUPPLIES AT ALL TIMES DURING THE PERIOD OF THE CONTRACT.

THE FURNISHING, MAINTENANCE AND LAVATORY SUPPLIES SHALL NOT BE PAID FOR SEPARATELY BUT SHALL BE INCLUDED IN THE COST OF THE PAY ITEMS INVOLVED UNDER THIS CONTRACT.

THE EXISTING STRUCTURAL STEEL CONTAINS LEAD. THE CONTRACTOR SHOULD TAKE APPROPRIATE PRECAUTIONS TO DEAL WITH LEAD PAINT ON THIS PROJECT.

COMMITMENTS

DATE: 12-12-14

PREPARED BY: *Don Bevil*
DISTRICT STUDIES & PLANS ENGINEER

EXAMINED BY: *Herb Gray*
DISTRICT CONSTRUCTION ENGINEER

Wayne Phillips
DISTRICT MATERIALS ENGINEER

James Hall
DISTRICT OPERATIONS ENGINEER

FILE NAME *	USER NAME * woodshankr1	DESIGNED - ZJL	REVISED -	STATE OF ILLINOIS DEPARTMENT OF TRANSPORTATION	GENERAL NOTES	F.A.P. RTE.	SECTION	COUNTY	TOTAL SHEETS	SHEET NO.
c:\pwwork\pwwork\woodshankr1\08401737\0368E11-shr-details.dgn	DRAWN - ZJL	REVISED -	573			(116V8-1-1BR)BP	DEXALB	9	2	
PLOT SCALE * 1/80.0000 "/ in.	CHECKED - RLW	REVISED -	CONTRACT NO. 66E11							
PLOT DATE * 12/6/2014	DATE - 8/5/14	REVISED -	ILLINOIS FED. AID PROJECT							
				SCALE: SHEET 1 OF 1 SHEETS STA. TO STA.						

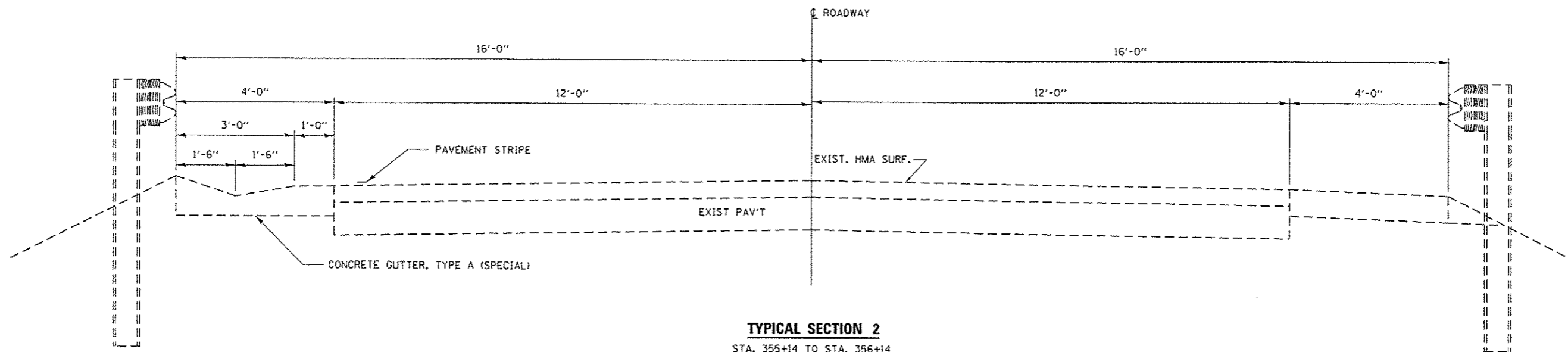
CODE NO.	ITEM	UNIT	TOTAL QUANTITY	CONSTR. CODE
				BPO
				100% STATE
				BRIDGE
				0014
				032-0019
Z001050)	CLEANING AND PAINTING STEEL BRIDGE NO. 1	L SUM	1	1
67100100	MOBILIZATION	L SUM	1	1
70100405	TRAFFIC CONTROL AND PROTECTION, STANDARD 701321	EACH	1	1
70100450	TRAFFIC CONTROL AND PROTECTION, STANDARD 701201	L SUM	1	1
70100455	TRAFFIC CONTROL AND PROTECTION, STANDARD 701206	L SUM	1	1
70106500	TEMPORARY BRIDGE TRAFFIC SIGNALS	EACH	1	1
70400100	TEMPORARY CONCRETE BARRIER	FOOT	500	500
70400200	RELOCATE TEMPORARY CONCRETE BARRIER	FOOT	500	500
70600250	IMPACT ATTENUATORS, TEMPORARY (NON- REDIRECTIVE), TEST LEVEL 3	EACH	2	2
70600350	IMPACT ATTENUATORS, RELOCATE (NON- REDIRECTIVE), TEST LEVEL 3	EACH	2	2
78009004	MODIFIED URETHANE PAVEMENT MARKING - LINE 4"	FOOT	996	996
78009006	MODIFIED URETHANE PAVEMENT MARKING - LINE 6"	FOOT	210	210
78300100	PAVEMENT MARKING REMOVAL	SQ FT	434	434
X5067500	BRIDGE CLEANING AND PAINTING WARRANTY	L SUM	1	1

14

CODE NO.	ITEM	UNIT	TOTAL QUANTITY	CONSTR. CODE
				BPO 100% STATE BRIDGE 0014 032-0019
Z0007112	CONTAINMENT AND DISPOSAL OF LEAD PAINT CLEANING RESIDUES	L SUM	1	1
Z0048665	RAILROAD PROTECTIVE LIABILITY INSURANCE	L SUM	1	1

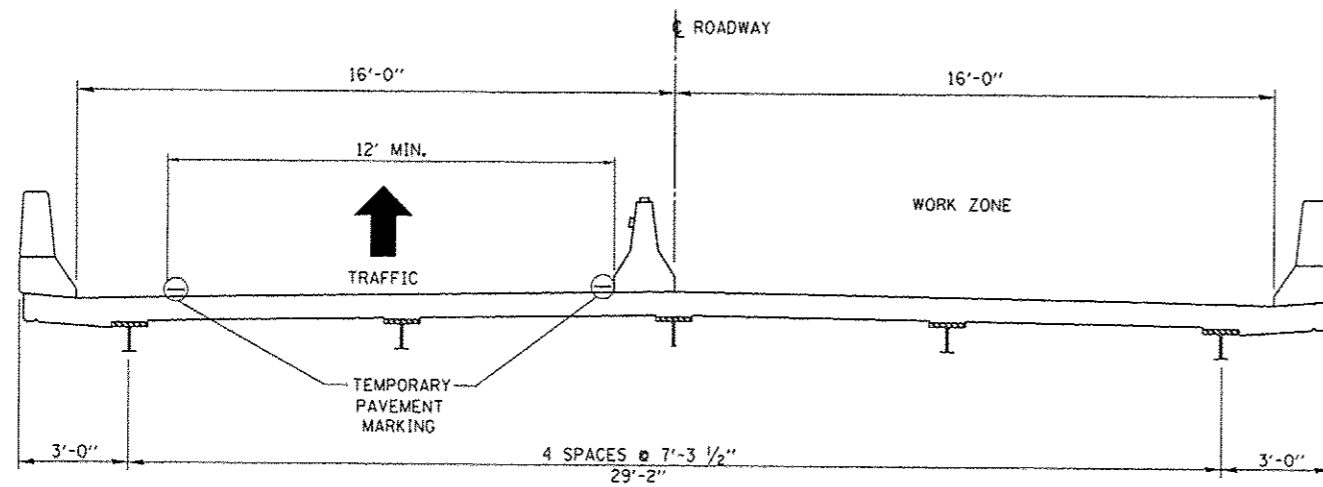
2 •SPECIALITY ITEMS

Rev



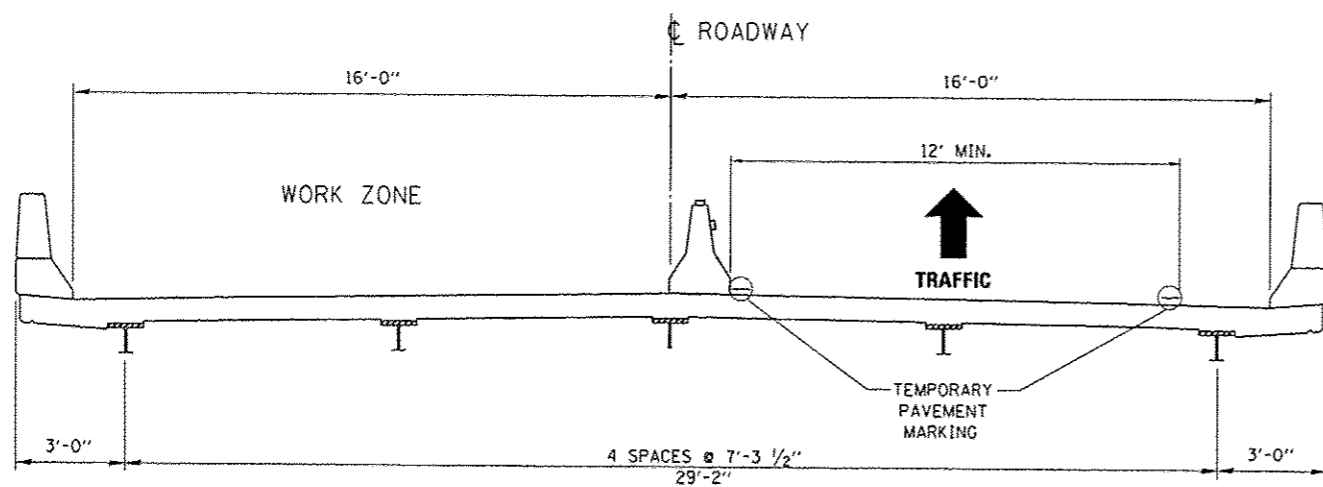
TYPICAL SECTION 2
 STA. 355+14 TO STA. 356+14

FILE NAME : c:\pwwork\pedit\woodshankr\1\0401737\	USER NAME : woodshankr	DESIGNED - ZJL	REVISED -	STATE OF ILLINOIS DEPARTMENT OF TRANSPORTATION	TYPICAL SECTIONS	F.A.P. RTE. 573	SECTION (116VB-1-1BR)BP	COUNTY DEKALB	TOTAL SHEETS 9	SHEET NO. 5
	PLOT SCALE = 100.0000' / 1"	CHECKED - RLW	REVISED -			STA.	TO STA.	CONTRACT NO. 66E11		
	PLOT DATE = 12/5/2014	DATE - 8/5/14	REVISED -			ILLINOIS FED. AID PROJECT				



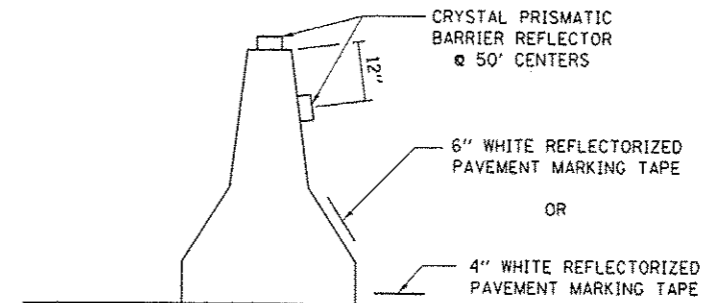
**ROADWAY SECTION
EASTBOUND LANE CLOSED**

LOOKING EAST

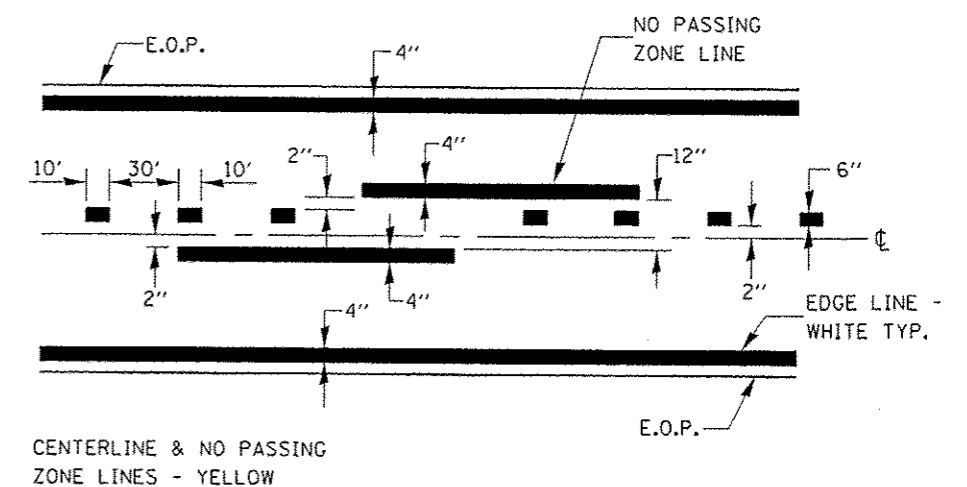


**ROADWAY SECTION
WESTBOUND LANE CLOSED**

LOOKING EAST

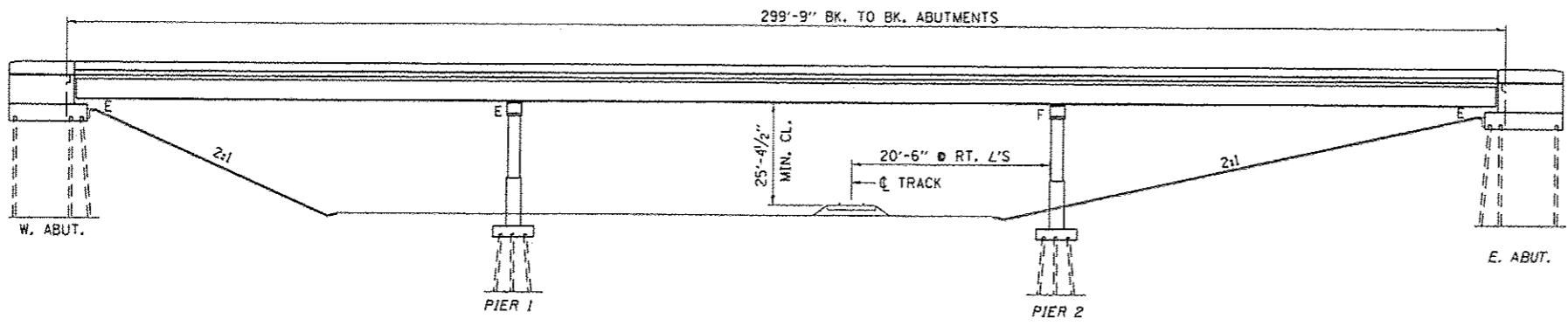


TEMPORARY CONCRETE BARRIER WALL DETAILS

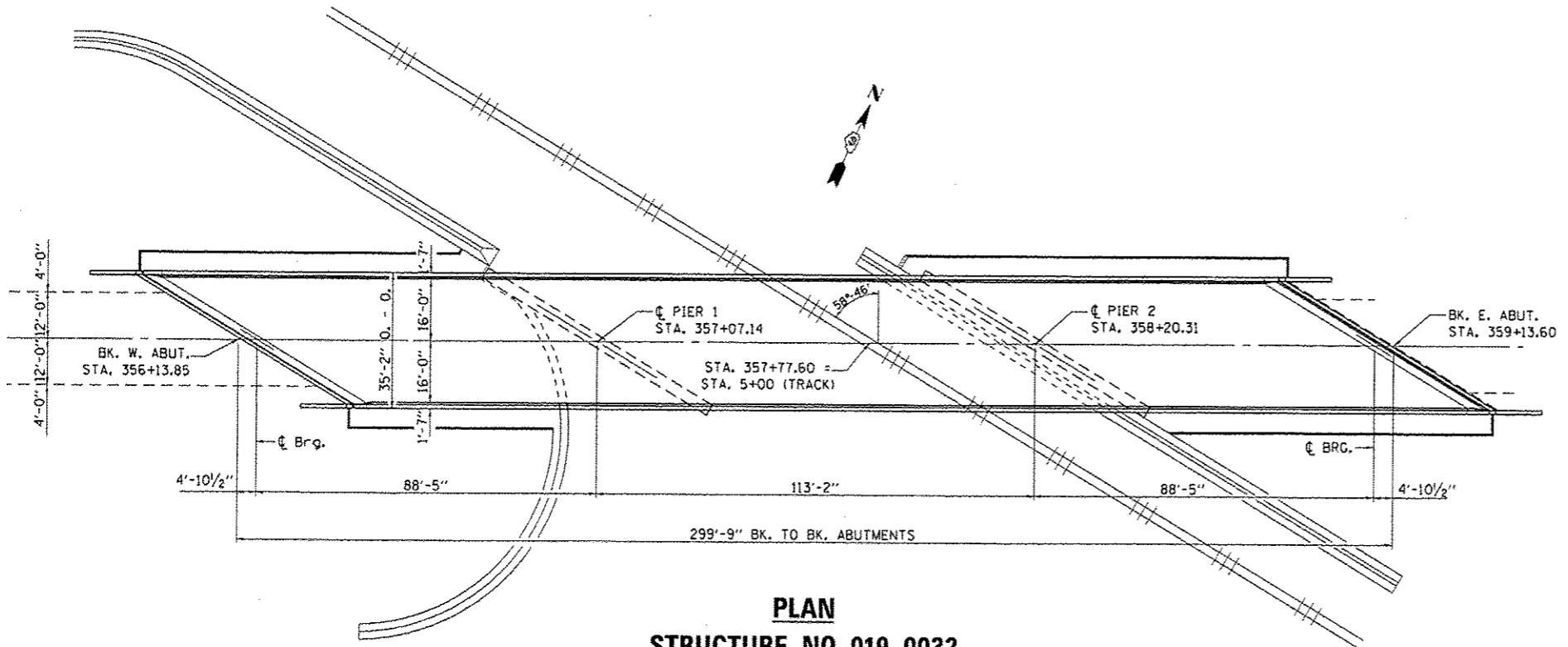


PAVEMENT MARKING

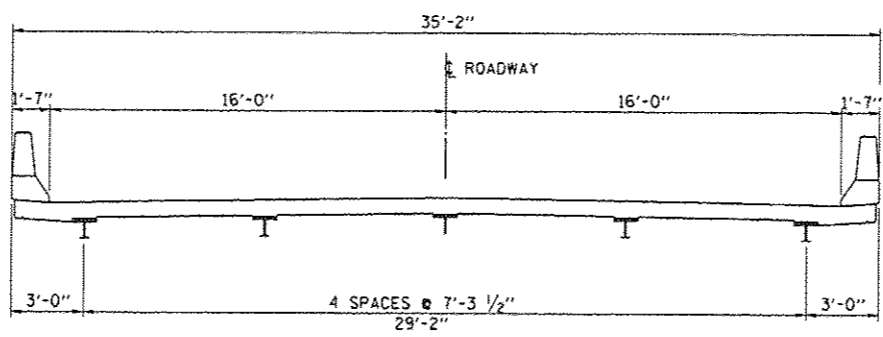
FILE NAME :	USER NAME = woodshank1	DESIGNED - ZJL	REVISED -	STATE OF ILLINOIS DEPARTMENT OF TRANSPORTATION	STAGING DETAILS FOR STRUCTURE NO. 019-0032	F.A.P. RTE.	SECTION	COUNTY	TOTAL SHEETS	SHEET NO.
c:\pvc_work\pvidot\woodshank1\09481737\0366E11-sht-details.dgn	DRAWN - ZJL	REVISED -	573			(116VB-1-JBR)BP	DEKALB	9	6	
PLOT SCALE = 100.0000 1/16"	CHECKED - RLW	REVISED -	CONTRACT NO. 66E11							
PLOT DATE = 12/6/2014	DATE - 8/12/14	REVISED -	ILLINOIS FED. AID PROJECT							
					SCALE:	SHEET 1 OF 1 SHEETS		STA.	TO STA.	



ELEVATION



**PLAN
STRUCTURE NO. 019-0032**



**CROSS SECTION
LOOKING EAST**

GENERAL NOTES

1. STRUCTURE NO. 019-0032 SHALL BE DESIGNATED AS "LOCATION 1".
3. PLAN DIMENSIONS AND DETAILS RELATIVE TO EXISTING PLANS ARE SUBJECT TO NOMINAL CONSTRUCTION VARIATIONS. THE CONTRACTOR SHALL FIELD VERIFY EXISTING DIMENSIONS AND DETAILS AFFECTING NEW CONSTRUCTION AND MAKE NECESSARY APPROVED ADJUSTMENTS PRIOR TO CONSTRUCTION OR ORDERING OF MATERIALS. SUCH VARIATIONS SHALL NOT BE CAUSE FOR ADDITIONAL COMPENSATION FOR A CHANGE IN SCOPE OF WORK; HOWEVER, THE CONTRACTOR WILL BE PAID FOR THE QUANTITY ACTUALLY FURNISHED AT THE UNIT PRICE BID FOR THE WORK.
4. THE SSPC-0P1 AND SSPC-0P2 "PAINTING CONTRACTOR CERTIFICATIONS" WILL BE REQUIRED FOR THIS PROJECT.
5. A MINIMUM OF TWO AIR MONITORS SHALL BE REQUIRED FOR THIS PROJECT. THE SHALL FURNISH AND INSTALL THE MONITORS AS SHOWN ON PLAN DETAILS. (SEE THE SPECIAL PROVISION FOR "CONTAINMENT AND DISPOSAL OF LEAD PAINT CLEANING RESIDUES".)
6. CLEANING AND PAINTING OF EXISTING STRUCTURAL STEEL SHALL BE AS SPECIFIED IN THE SPECIAL PROVISION FOR "CLEANING AND PAINTING EXISTING STEEL STRUCTURES" AND AS SPECIFIED BELOW.
 - a) ALL EXISTING STRUCTURAL STEEL, (INCLUDING BEAMS, DIAPHRAGMS, CROSS/LATERAL FRAMING WHEN PRESENT, BEARING ASSEMBLIES AND ALL OTHER ASSOCIATED STEEL COMPONENTS SHALL BE CLEANED PER "NEAR WHITE BLAST CLEANING - SSPC-SP-10.
 - b) ALL EXISTING STRUCTURAL STEEL SHALL BE PAINTED PER THE REQUIREMENTS OF "PAINT SYSTEM 1 - 02/E/U".
 - 1) THE FINAL FINISH COAT FOR ALL INTERIOR STRUCTURAL STEEL BE "GRAY, MUNSELL NO. 5B 7/1".
 - 2) FINISH COAT FOR EXTERIOR FACE, BOTTOM FLANGE AND BEARING ASSEMBLIES OF THE FASCIA BEAMS SHALL BE "GREEN, MUNSELL NO. 7.5G 1/2.
7. THE CONTRACTOR SHALL BE REQUIRED TO SECURE WASTE CONTAINERS THAT REMAIN ON THE JOB SITE. THIS WILL ENTAIL THAT ALL WASTE CONTAINERS CAN NOT BE MOVED OR OPENED DURING NON-WORKING HOURS.
8. WORKING DAYS SHALL BE CHARGED UNTIL THE CONTRACTOR/SUBCONTRACTOR LICENSED TO DISPOSE OF LEAD PAINT RESIDUES HAS REMOVED THE WASTE MATERIAL FROM THE JOB SITE ACCORDING TO ALL FEDERAL, STATE AND LOCAL LAWS AND ORDINANCES. IF THE LICENSED CONTRACTOR OR SUBCONTRACTOR FAILS TO DISPOSE OF THE LEAD PAINT RESIDUES ON OR BEFORE THE SPECIFIED COMPLETION DATE, LIQUIDATED DAMAGES SHALL BE CHARGED PER CALENDAR DAY ACCORDING TO ARTICLE 109.09 OF THE STANDARD SPECIFICATIONS UNTIL SUCH TIME THAT ALL PAINT RESIDUE MATERIALS HAVE BEEN PROPERLY REMOVED AND DISPOSED OF.

TOTAL BILL OF MATERIAL

ITEM	UNIT	019-0032	TOTAL
CLEANING AND PAINTING STEEL BRIDGE, NO. 1	L SUM	1	1
CONTAINMENT AND DISPOSAL OF LEAD PAINT CLEANING RESIDUES NO. 1	L SUM	1	1
BRIDGE CLEANING AND PAINTING WARRANTY NUMBER 1	L SUM	1	1

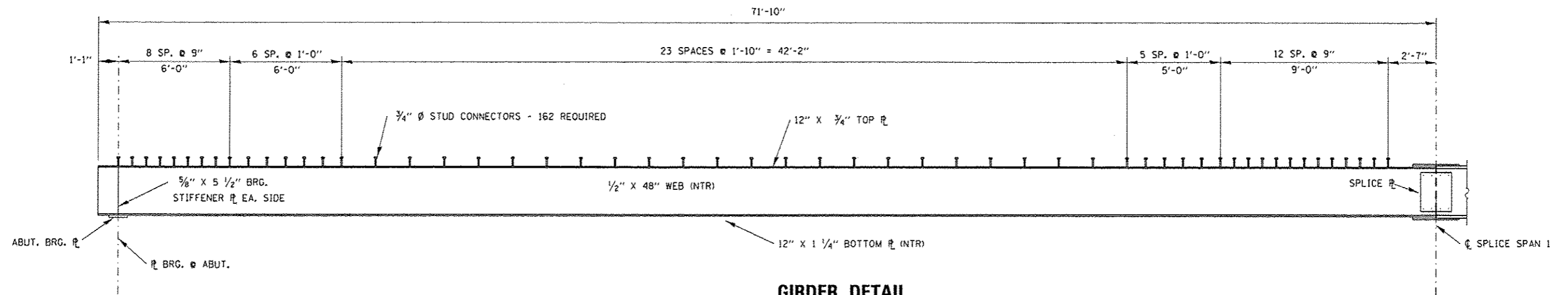
FILE NAME =	USER NAME = woodshankr1	DESIGNED - ZJL	REVISED -
c:\pw\work\p1d02\woodshankr1\08401737\036E11-sht-details.dgn		DRAWN - ZJL	REVISED -
PLOT SCALE = 1/8"=1'-0"		CHECKED - RLW	REVISED -
PLOT DATE = 12/6/2014		DATE - 8/5/14	REVISED -

STATE OF ILLINOIS
DEPARTMENT OF TRANSPORTATION

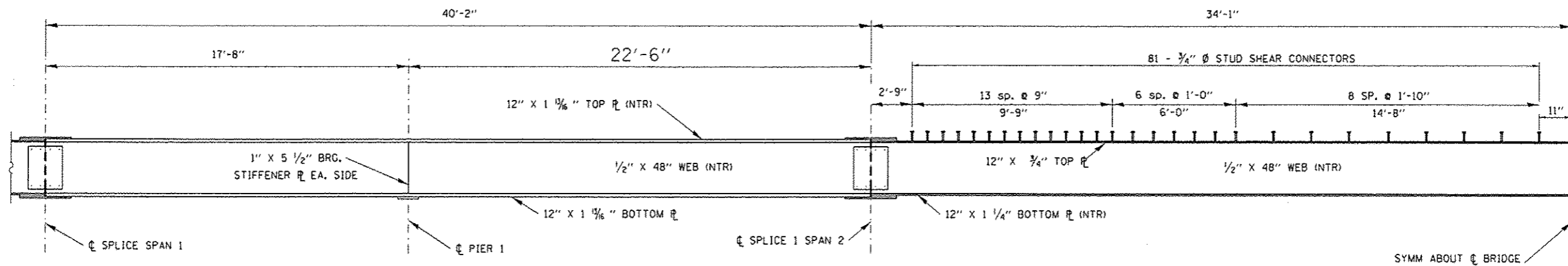
EXISTING STRUCTURE PLANS FOR
STRUCTURE NO. 019-0032

SCALE: SHEET 1 OF 3 SHEETS STA. TO STA.

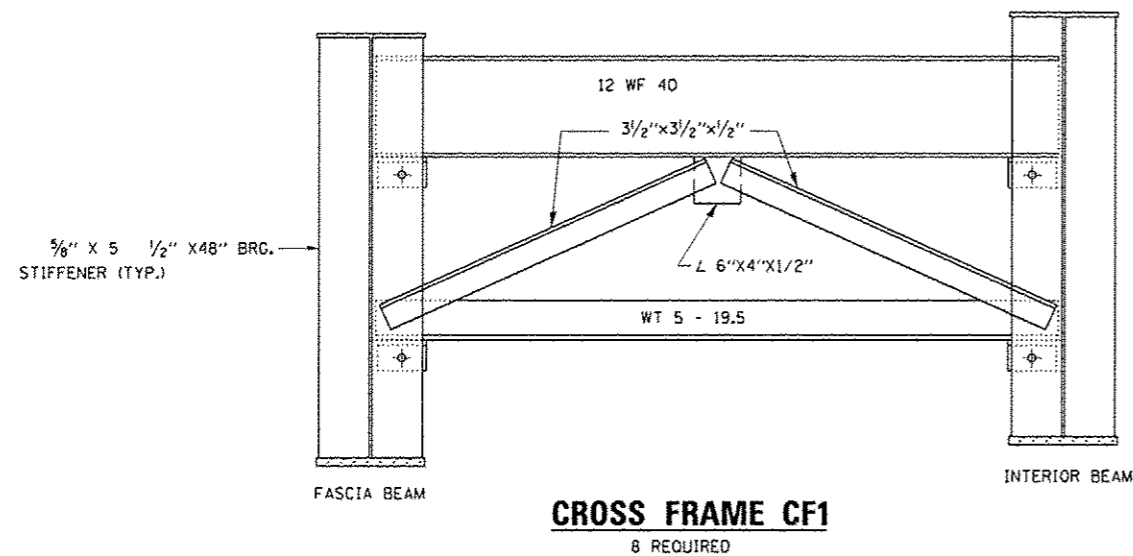
F.A.P. RTE. 573	SECTION (116VB-1-1BR1BP)	COUNTY DEKALB	TOTAL SHEETS 9	SHEET NO. 7
CONTRACT NO. 66E11			ILLINOIS FED. AID PROJECT	



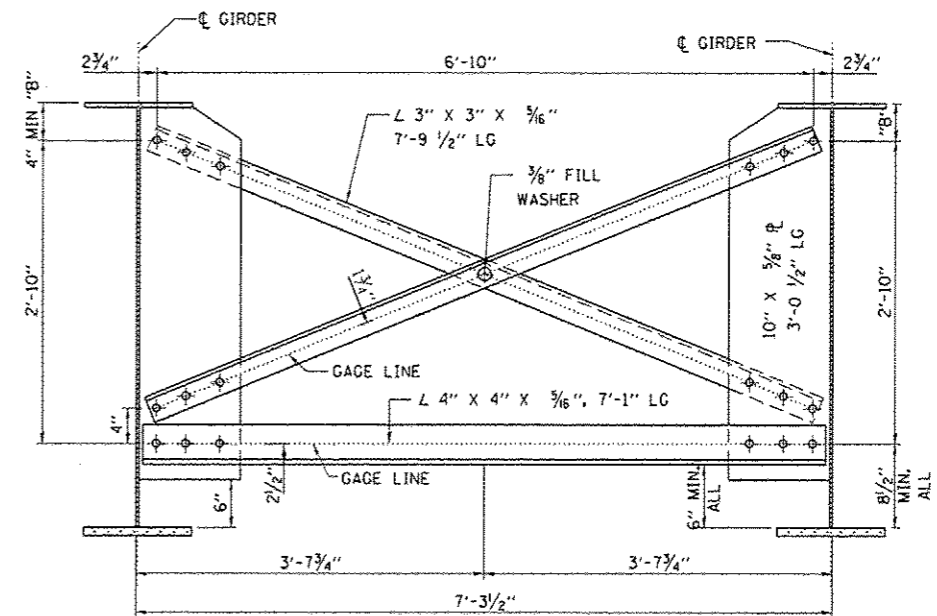
**GIRDER DETAIL
W. ABUT to SPAN 1 SPLICE**



**GIRDER DETAIL
SPAN 1 SPLICE to BRIDGE**



**CROSS FRAME CF1
8 REQUIRED**



**CROSS FRAME CF2
56 REQUIRED**

FILE NAME	USER NAME : woodshank1	DESIGNED - ZJL	REVISED -
ca:\pwr\work\p\widet\woodshank1\d0401737\366E11-shs-details.dgn		DRAWN - ZJL	REVISED -
	PLOT SCALE = 100.0000 1/4" = 1'-0"	CHECKED - RLW	REVISED -
	PLOT DATE = 12/6/2014	DATE - 8/5/14	REVISED -

STATE OF ILLINOIS
DEPARTMENT OF TRANSPORTATION

EXISTING STRUCTURE PLANS FOR
STRUCTURE NO. 019-0032

F.A.P. RFL. 573	SECTION 0116VB-1-1BR/8P	COUNTY DEKALB	TOTAL SHEETS 9	SHEET NO. 9
SCALE: SHEET 3 OF 3 SHEETS STA. TO STA.			CONTRACT NO. 66E11	
ILLINOIS FED. AID PROJECT				