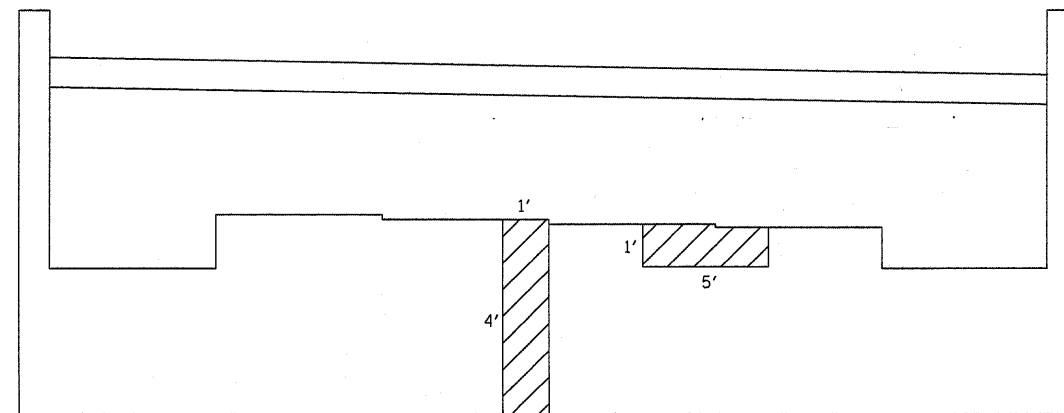


NORTH ABUTMENT  
(LOOKING NORTH)

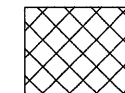
NORTH ABUTMENT BILL OF MATERIAL	UNIT	QUANTITY
STRUCTURAL REPAIR OF CONCRETE ≤ 5"	SQ FT	8



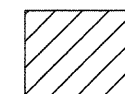
SOUTH ABUTMENT  
(LOOKING SOUTH)

SOUTH ABUTMENT BILL OF MATERIAL	UNIT	QUANTITY
STRUCTURAL REPAIR OF CONCRETE ≤ 5"	SQ FT	9

SN 016-1000 TOTAL BILL OF MATERIAL	UNIT	QUANTITY
STRUCTURAL REPAIR OF CONCRETE > 5"	SQ FT	31
STRUCTURAL REPAIR OF CONCRETE ≤ 5"	SQ FT	21
TEMPORARY SHORING AND CRIBBING	EA	6



STRUCTURAL REPAIR OF CONCRETE > 5"



STRUCTURAL REPAIR OF CONCRETE ≤ 5"