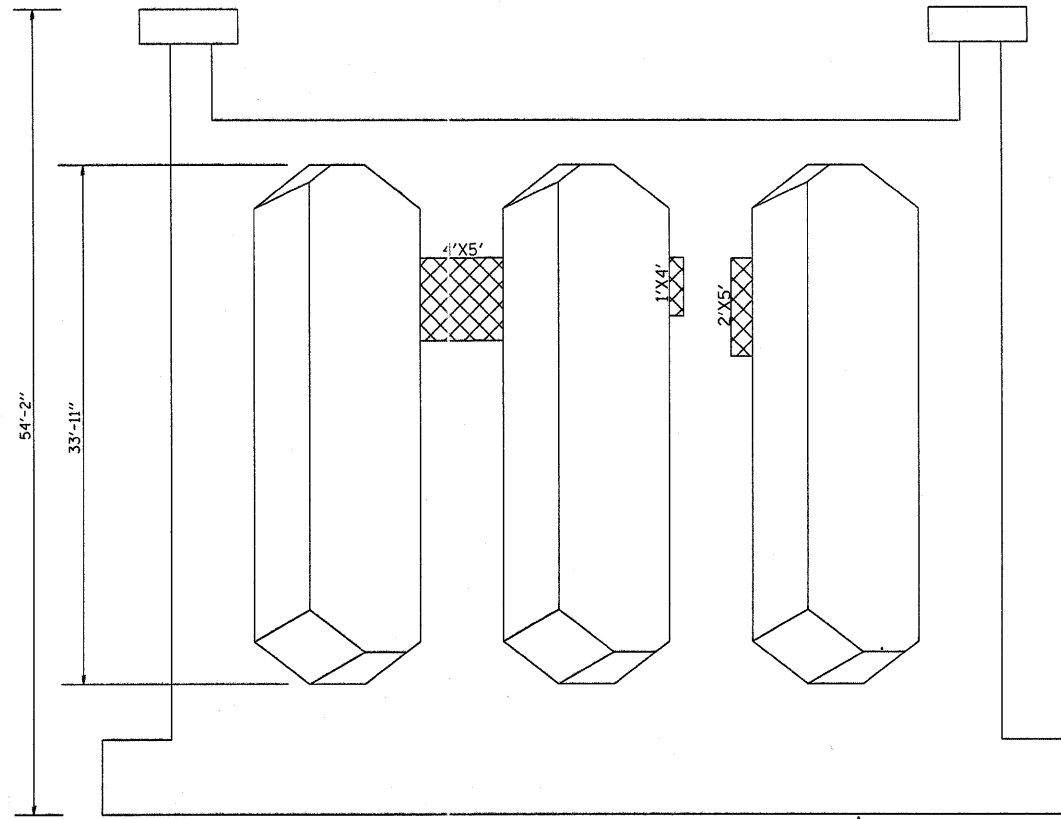
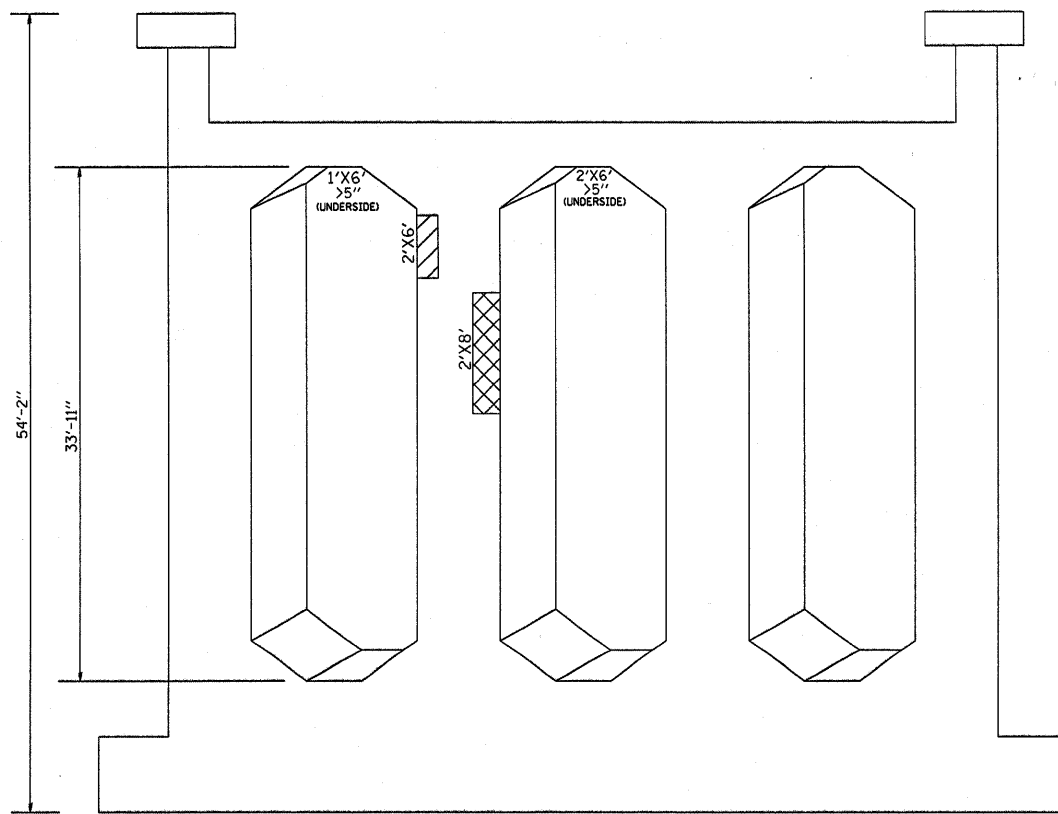


PIER 1  
SOUTH FACE  
(LOOKING NORTH)



PIER 1  
NORTH FACE  
(LOOKING SOUTH)



PIER 2  
SOUTH FACE  
(LOOKING NORTH)

PIER 1 & 2 BILL OF MATERIAL	UNIT	QUANTITY
STRUCTURAL REPAIR OF CONCRETE > 5"	SQ FT	132
STRUCTURAL REPAIR OF CONCRETE ≤ 5"	SQ FT	12

- STRUCTURAL REPAIR OF CONCRETE > 5"
- STRUCTURAL REPAIR OF CONCRETE ≤ 5"

FILE NAME =	USER NAME = msdy.je	DESIGNED -	REVISED -
ci:\projects\dl20507\sherdan@ravines.dgn		DRAWN -	REVISED -
PLOT SCALE = 68.4000' / IN.		CHECKED -	REVISED -
PLOT DATE = 12/28/2007		DATE -	REVISED -

STATE OF ILLINOIS  
DEPARTMENT OF TRANSPORTATION

LOCATION 4: SN 016-0617  
PIER STRUCTURAL REPAIR SHEET 1 OF 2

SCALE: SHEET NO. OF SHEETS STA. TO STA.

F.A. RTE.	SECTION	COUNTY	TOTAL SHEETS	SHEET NO.
VARIOUS	2007-0071	VARIOUS	25	20
CONTRACT NO. 60C36				
FED. ROAD DIST. NO. 1 ILLINOIS FED. AID PROJECT				