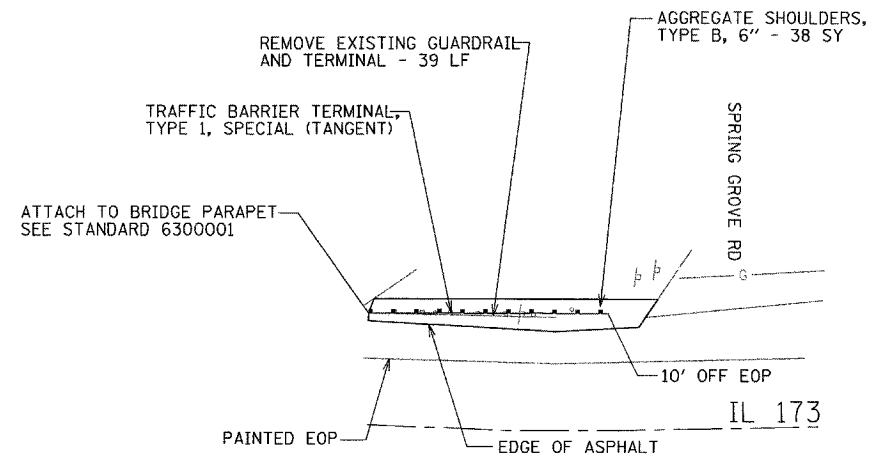
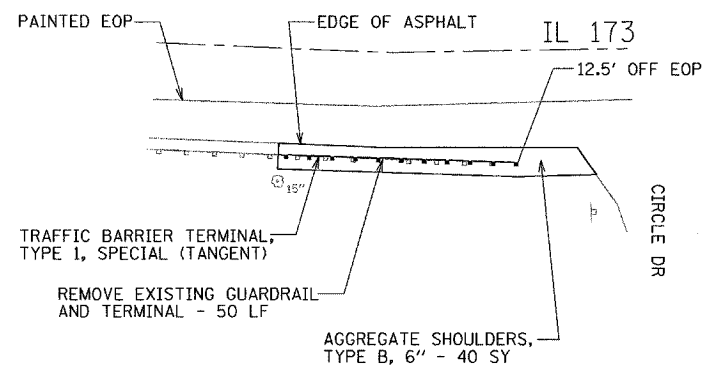


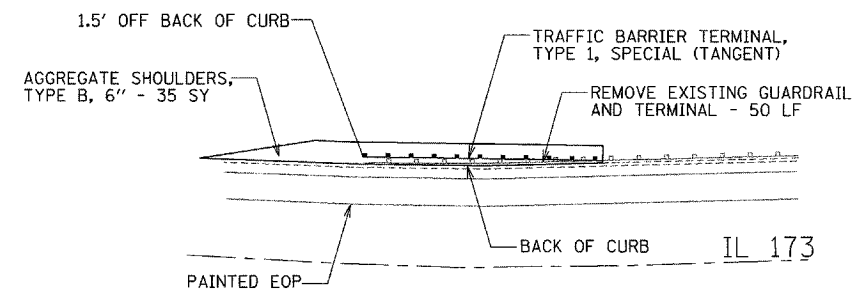
LOCATION 21



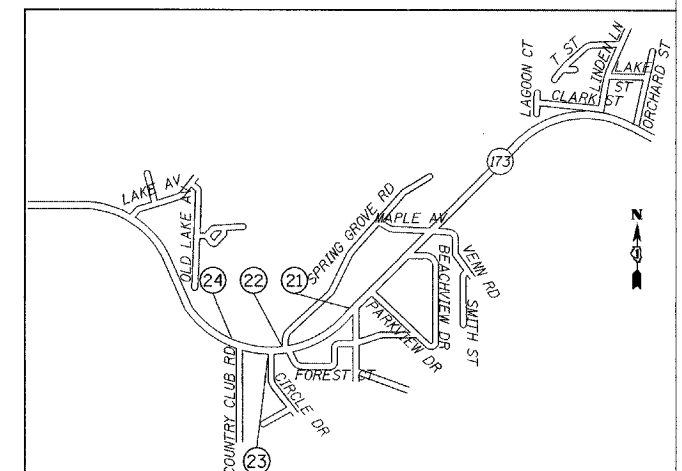
LOCATION 22




LOCATION 23



LOCATION 24



H:\GIS\2006\20063028-38\CAD\DOT\_Trams\dgn\00\ILL-173\_Plan06.dgn  
 12/28/2007 11:49:05 AM


 GRAEF, ANHALT, SCHLOEMER & ASSOCIATES, INC.  
 CHICAGO, ILLINOIS

STATE OF ILLINOIS  
DEPARTMENT OF TRANSPORTATION

ROADWAY PLAN 6

FILE NAME =	USER NAME = .USER.	DESIGNED - MW	REVISED -
#FILE#		DRAWN - EUB	REVISED -
	PLOT SCALE = 20.0000' / IN.	CHECKED - RJS	REVISED -
	PLOT DATE = 12/28/2007	DATE - 12/31/2007	REVISED -

SCALE: 1"=20'	SHEET NO. 10 OF 13 SHEETS	STA.	TO STA.	F.A.P. RTE. 303	SECTION 2007-050 GRR	COUNTY LAKE	TOTAL SHEETS 13	SHEET NO. 10
				FED. ROAD DIST. NO. ILLINOIS FED. AID PROJECT				
				CONTRACT NO. 60D40				