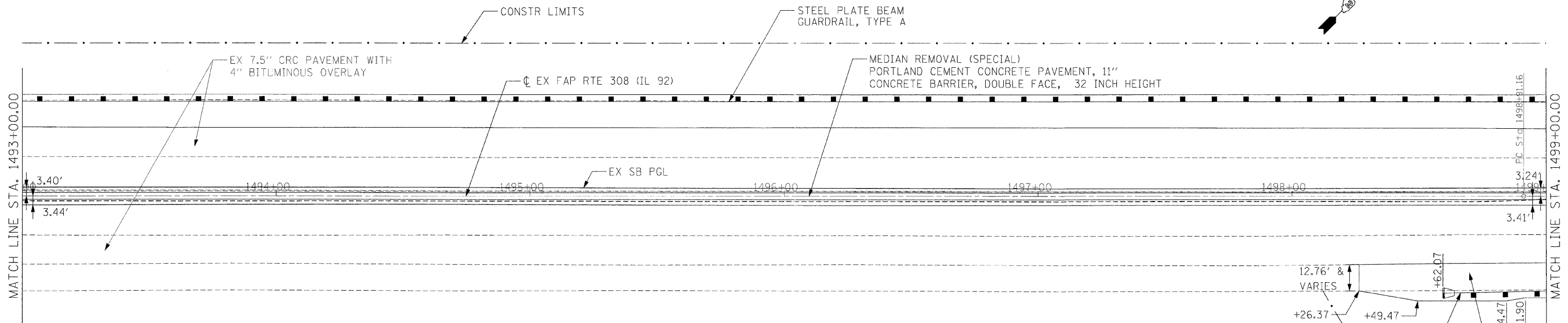
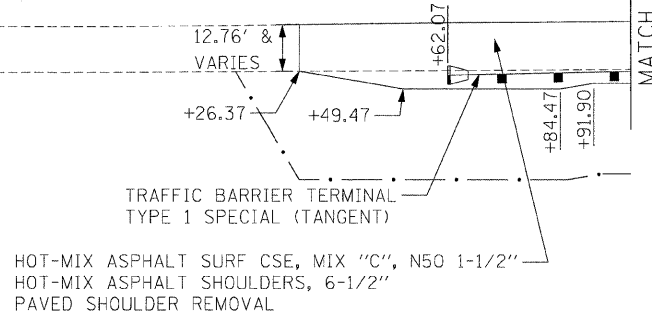


F.A.P. RTE.	SECTION	COUNTY	TOTAL SHEETS	SHEET NO.
308	1 (WB, HB, LB, RB-2) R	ROCK ISLAND	210	34
STA. 1493+00.00		TO STA. 1499+00.00		
FED. ROAD DIST. NO. 2		ILLINOIS	FED. AID PROJECT	

PLAN	SURVEYED	BY	DATE
FILE NAME	FILE NO.		
NOTE BOOK NO.	RT. OF WAY CHECKED		
	END FILE NAME		



EXIST. CURVE 320
 PI STA. = 1510+08.65
 $\Delta = 42^\circ 40' 47''$ (LT)
 $D = 2^\circ 00' 11''$
 $R = 2,860.32'$
 $T = 1,117.49'$
 $L = 2,130.66'$
 $E = 210.54'$
 P.C. STA. = 1498+91.16
 P.T. STA. = 1520+21.82



PROFILE	SURVEYED	BY	DATE
FILE NAME	FILE NO.		
NOTE BOOK NO.	RT. OF WAY CHECKED		
	END FILE NAME		

