

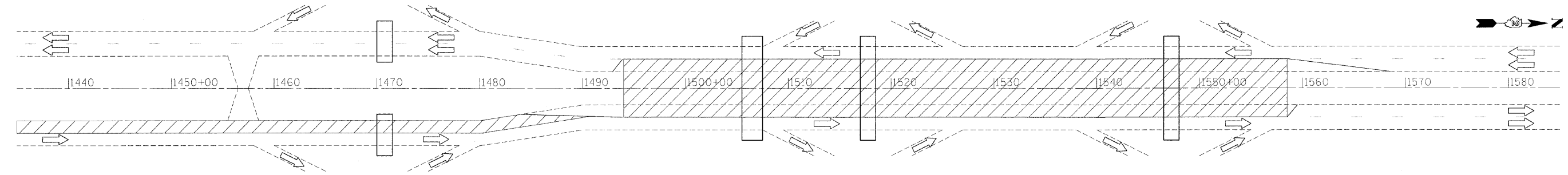
F.A.P. RTE.	SECTION	COUNTY	TOTAL SHEETS	SHEET NO.
308	I 18B-1, 18B-2 R	ROCK ISLAND	210	47
STA. N/A	TO STA. N/A			
FED. ROAD DIST. NO. 2		ILLINOIS	FED. AID PROJECT	

31ST AVE.

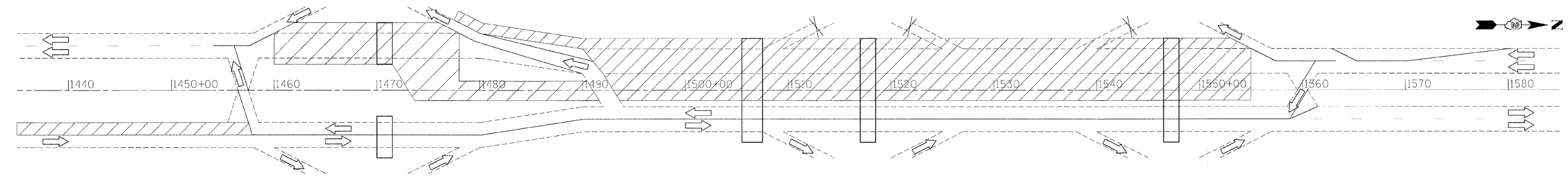
IAIS RAILROAD

18TH AVE.

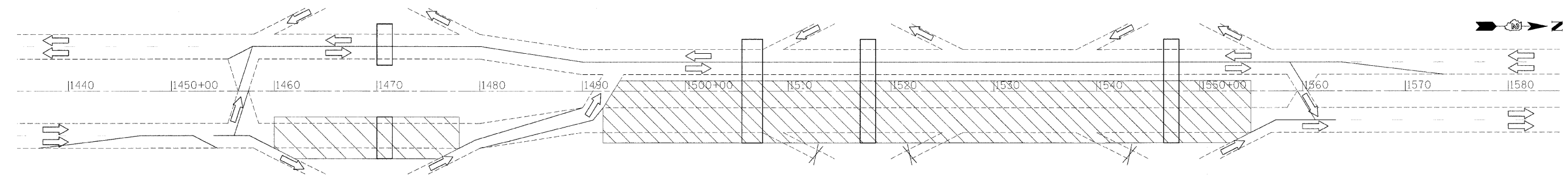
7TH AVE.



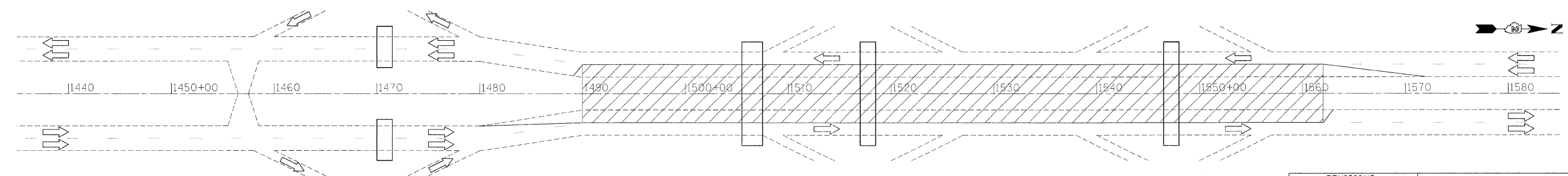
STAGE 1
TRAFFIC ON OUTSIDE LANES



STAGE 2
TRAFFIC ON NORTHBOUND LANES



STAGE 3
TRAFFIC ON SOUTHBOUND LANES



STAGE 4
TRAFFIC ON OUTSIDE LANES

- WORK AREA

REVISIONS	
NAME	DATE

ILLINOIS DEPARTMENT OF TRANSPORTATION

IL 92 STAGING
SCHEMATIC OVERVIEW

SCALE: N.T.S.
DATE: 12/08/06

DRAWN BY: WAJ
CHECKED BY: MGZ

PLOT DATE = #DATE#
PLOT SCALE = #SCALE#
PLOT USER = #USER#