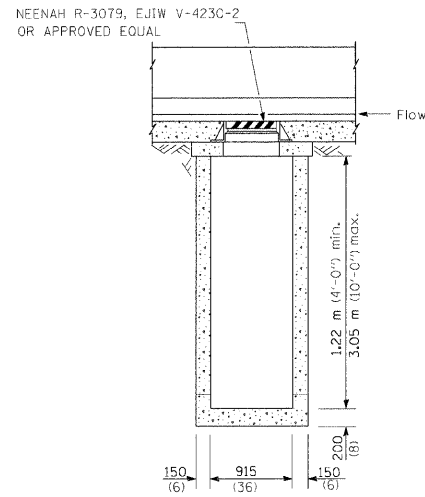
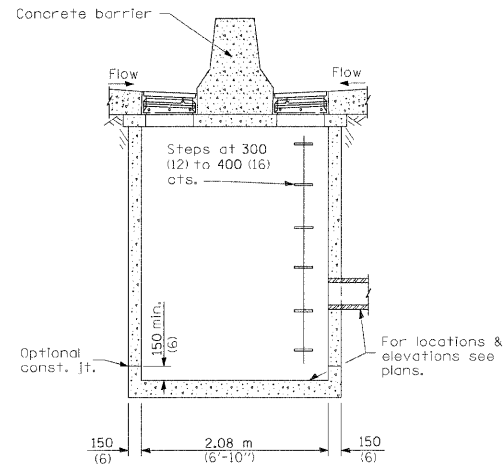


F.A.P. RTE.	SECTION	COUNTY	TOTAL SHEETS	SHEET NO.
308	11#B-1WB-2R	ROCK ISLAND	210	76
STA. N/A		TO STA. N/A		
FED. ROAD DIST. NO. 2		ILLINOIS FED. AID PROJECT		

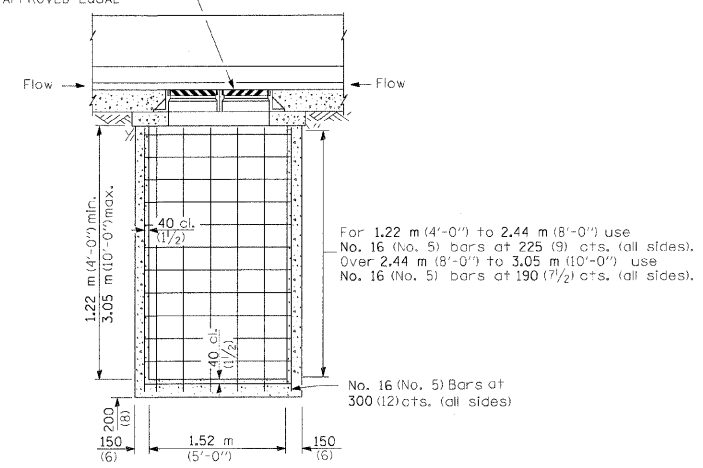


FRONT ELEVATION - TYPE 1 SPECIAL

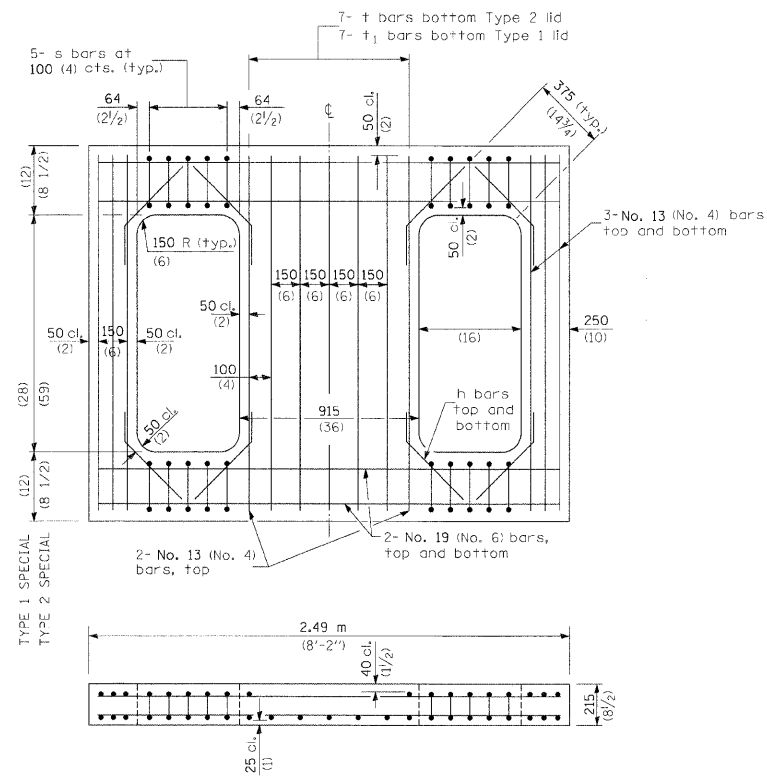


SIDE ELEVATION - TYPE 1 & 2 SPECIAL

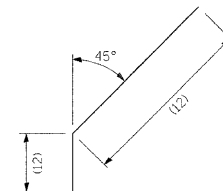
DOUBLE UNIT NEENAH R-3077 FRAMES WITH R-3079 GRATES EJIW V-4232L AND V-4232R FRAMES WITH V-4230-2 GRATES OR APPROVED EQUAL



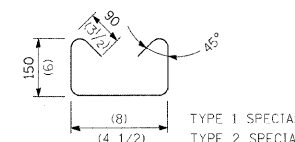
FRONT ELEVATION - TYPE 2 SPECIAL



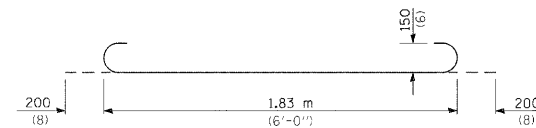
REINFORCED LID - TYPE 1 & 2



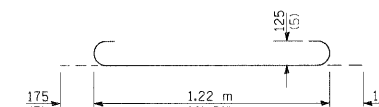
No. 13 (No. 4) Bar h



No. 10 (No. 3) Bar s



No. 19 (No. 6) Bar t



No. 16 (No. 5) Bar t1

The details shown on this sheet are modifications due to narrow shoulder to standard 602101-01

All dimensions are in millimeters (inches) unless otherwise shown.

PLOT DATE = #DATE#
FILE NAME = #FILE#
PLOT SCALE = #SCALE#
USER NAME = #USER#

REVISIONS	
NAME	DATE

ILLINOIS DEPARTMENT OF TRANSPORTATION

DRAINAGE STRUCTURES
TYPES 1 & 2 SPECIAL

SCALE: VERT.
HORIZ.
DATE

DRAWN BY
CHECKED BY