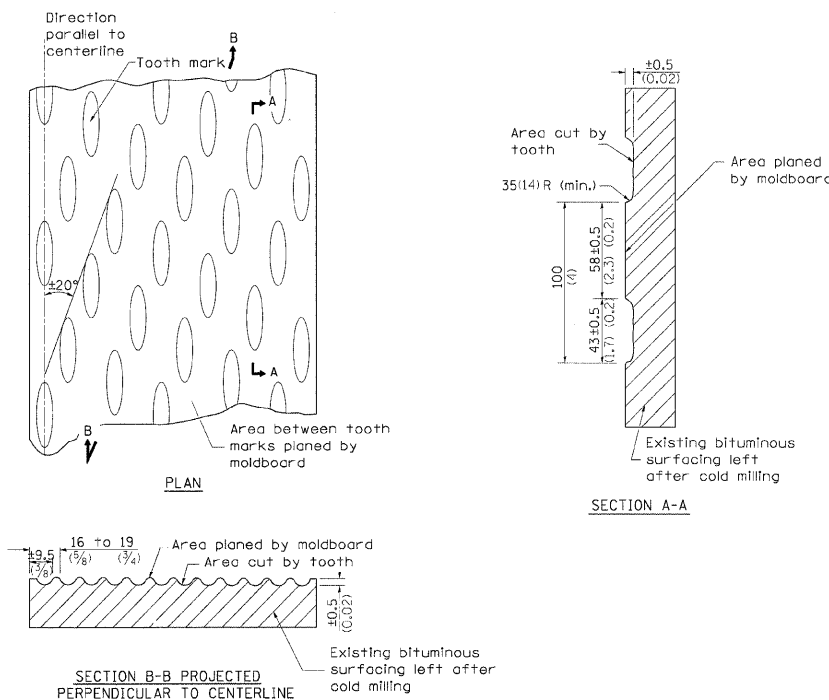


REQUIRED COLD MILLED SURFACE TEXTURE

CONTRACT NO.				
F.A. RTE.	SECTION	COUNTY	TOTAL SHEETS	SHEET NO.
STA.	TO STA.			
FED. ROAD DIST. NO.	ILLINOIS	FED. AID PROJECT		



- NOTES**
1. Cold Milling shall consist of two processes: Cutting with carbide teeth mounted on a rotating drum, and planing with a moldboard mounted immediately behind the cutting drum.
 2. Other similar patterns will be acceptable if they consist of a smooth, flat, planed surface interspersed with a pattern of discontinuous longitudinal striations.
- ALL DIMENSIONS ARE IN MILLIMETERS (INCHES) UNLESS OTHERWISE NOTED.

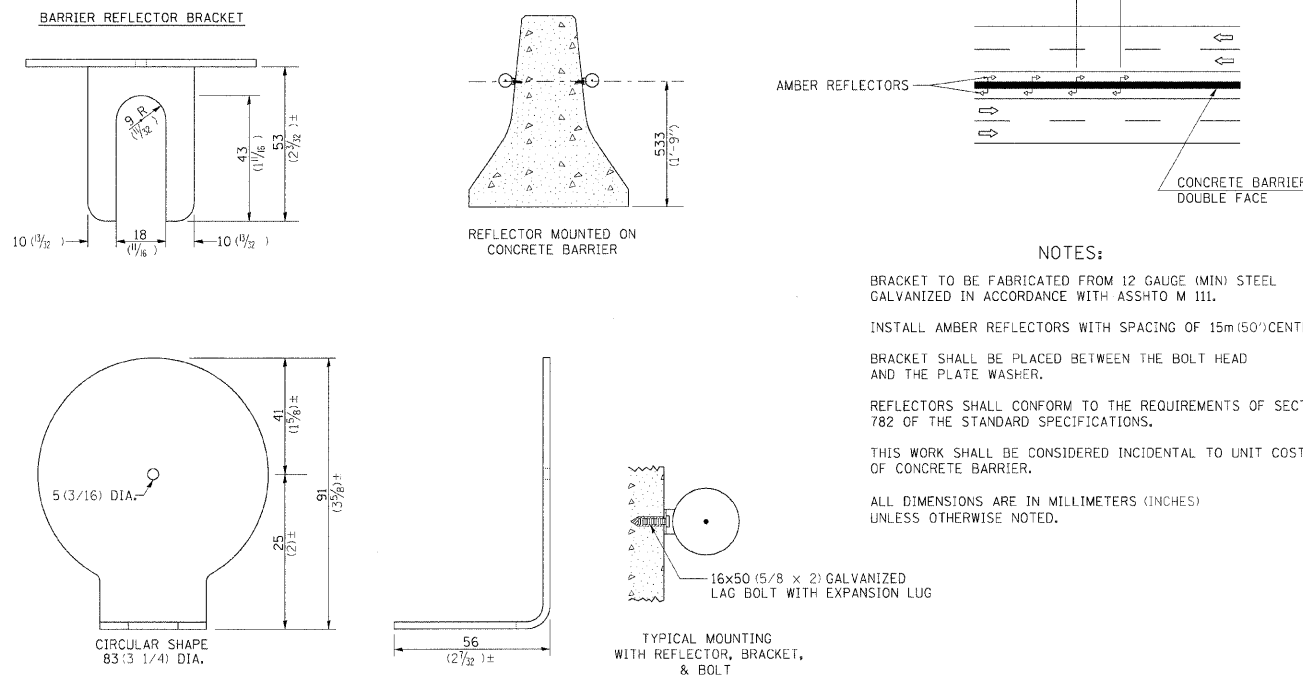
REQUIRED COLD MILLED SURFACE TEXTURE 43.4

REVISED 5-1-96

PLOT DATE = #DATE#
FILE NAME = #FILE#
PLOT SCALE = #SCALE#
REFERENCE = #REF#

BARRIER REFLECTORS

CONTRACT NO. 64814				
F.A. RTE.	SECTION	COUNTY	TOTAL SHEETS	SHEET NO.
308	10HBHB-1.VB.HB-2IR	ROCK ISLAND	210	78
STA.	TO STA.			
FED. ROAD DIST. NO.	ILLINOIS	FED. AID PROJECT		



- NOTES:**
- BRACKET TO BE FABRICATED FROM 12 GAUGE (MIN) STEEL GALVANIZED IN ACCORDANCE WITH ASSHTO M 111.
- INSTALL AMBER REFLECTORS WITH SPACING OF 15m (50') CENTERS.
- BRACKET SHALL BE PLACED BETWEEN THE BOLT HEAD AND THE PLATE WASHER.
- REFLECTORS SHALL CONFORM TO THE REQUIREMENTS OF SECTION 782 OF THE STANDARD SPECIFICATIONS.
- THIS WORK SHALL BE CONSIDERED INCIDENTAL TO UNIT COST OF CONCRETE BARRIER.
- ALL DIMENSIONS ARE IN MILLIMETERS (INCHES) UNLESS OTHERWISE NOTED.

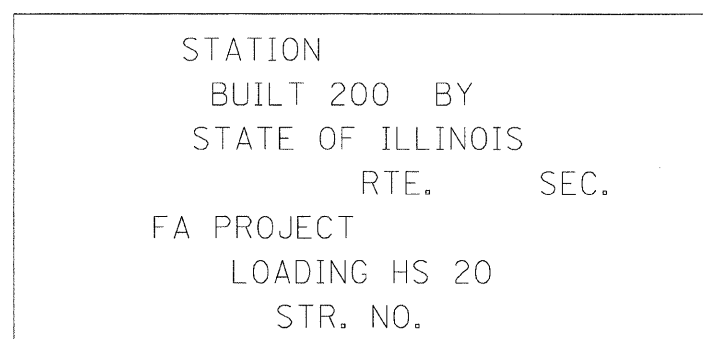
BARRIER REFLECTORS 92.4

REVISED 10-10-06

PLOT DATE = #DATE#
FILE NAME = #FILE#
PLOT SCALE = #SCALE#
REFERENCE = #REF#

LETTERING FOR NAME PLATE

CONTRACT NO.				
F.A. RTE.	SECTION	COUNTY	TOTAL SHEETS	SHEET NO.
STA.	TO STA.			
FED. ROAD DIST. NO.	ILLINOIS	FED. AID PROJECT		



- DESIGNERS NOTE**
- WHEN USING A DOUBLE BOX CULVERT GET A STRUCTURE NUMBER AND SHOW IT ON THE GENERAL NOTES. IF THE DOUBLE BOX CULVERT IS EQUAL TO OR GREATER THAN 6.1m (20 FT) WIDE INCLUDE A PAY ITEM FOR NAME PLATES AND INCLUDE THIS DETAIL IN THE PLANS.
- ALL DIMENSIONS ARE IN MILLIMETERS (INCHES) UNLESS OTHERWISE NOTED.

LETTERING FOR NAME PLATE 89.4

REVISED 10-15-04

PLOT DATE = #DATE#
FILE NAME = #FILE#
PLOT SCALE = #SCALE#
REFERENCE = #REF#

TYPICAL MEDIAN CROSSOVER CLOSURE

CONTRACT NO.				
F.A. RTE.	SECTION	COUNTY	TOTAL SHEETS	SHEET NO.
STA.	TO STA.			
FED. ROAD DIST. NO.	ILLINOIS	FED. AID PROJECT		

GENERAL NOTES

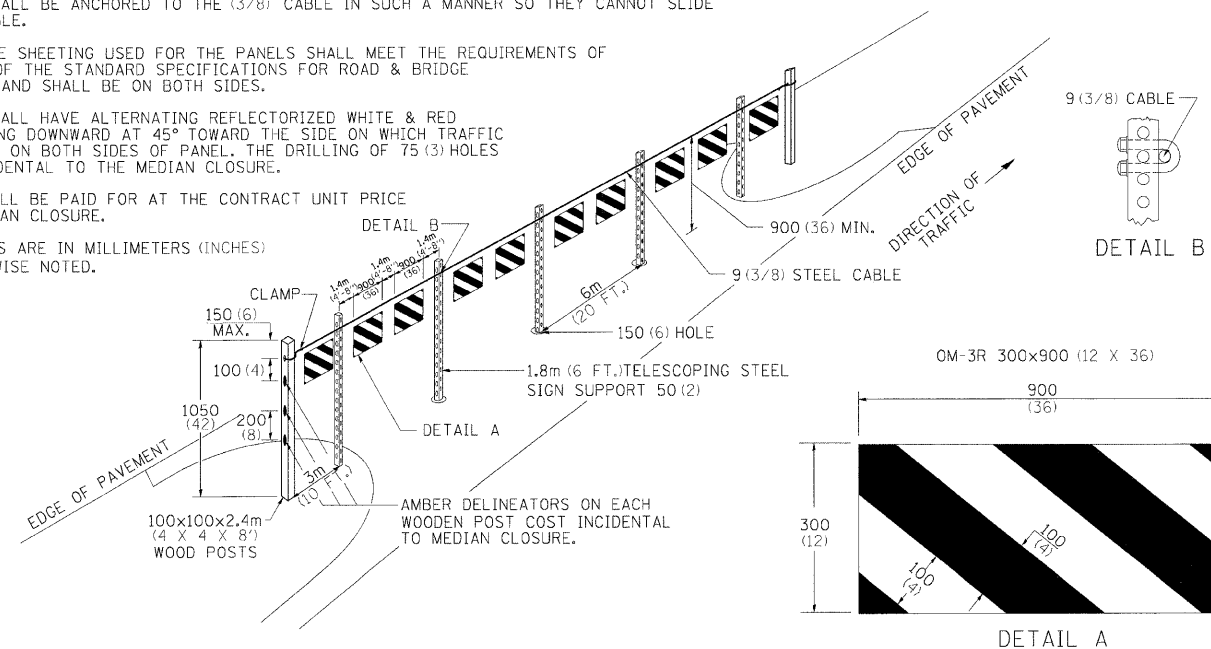
WOOD POSTS, CABLE, AND SIGN SUPPORTS SHALL BE IN ACCORDANCE WITH SECTION 634 & 636 OF THE STANDARD SPECIFICATIONS FOR ROAD AND BRIDGE CONSTRUCTION. THE PANELS SHALL BE ANCHORED TO THE (3/8") CABLE IN SUCH A MANNER SO THEY CANNOT SLIDE ALONG THE CABLE.

THE REFLECTIVE SHEETING USED FOR THE PANELS SHALL MEET THE REQUIREMENTS OF SECTION 1091 OF THE STANDARD SPECIFICATIONS FOR ROAD & BRIDGE CONSTRUCTION AND SHALL BE ON BOTH SIDES.

ALL PANELS SHALL HAVE ALTERNATING REFLECTORIZED WHITE & RED STRIPES SLOPING DOWNWARD AT 45° TOWARD THE SIDE ON WHICH TRAFFIC WILL PASS AND ON BOTH SIDES OF PANEL. THE DRILLING OF 75 (3) HOLES SHALL BE INCIDENTAL TO THE MEDIAN CLOSURE.

THIS WORK SHALL BE PAID FOR AT THE CONTRACT UNIT PRICE EACH FOR MEDIAN CLOSURE.

ALL DIMENSIONS ARE IN MILLIMETERS (INCHES) UNLESS OTHERWISE NOTED.



TYPICAL MEDIAN CROSSOVER CLOSURE 98.4

REVISED 10-10-06

PLOT DATE = #DATE#
FILE NAME = #FILE#
PLOT SCALE = #SCALE#
REFERENCE = #REF#