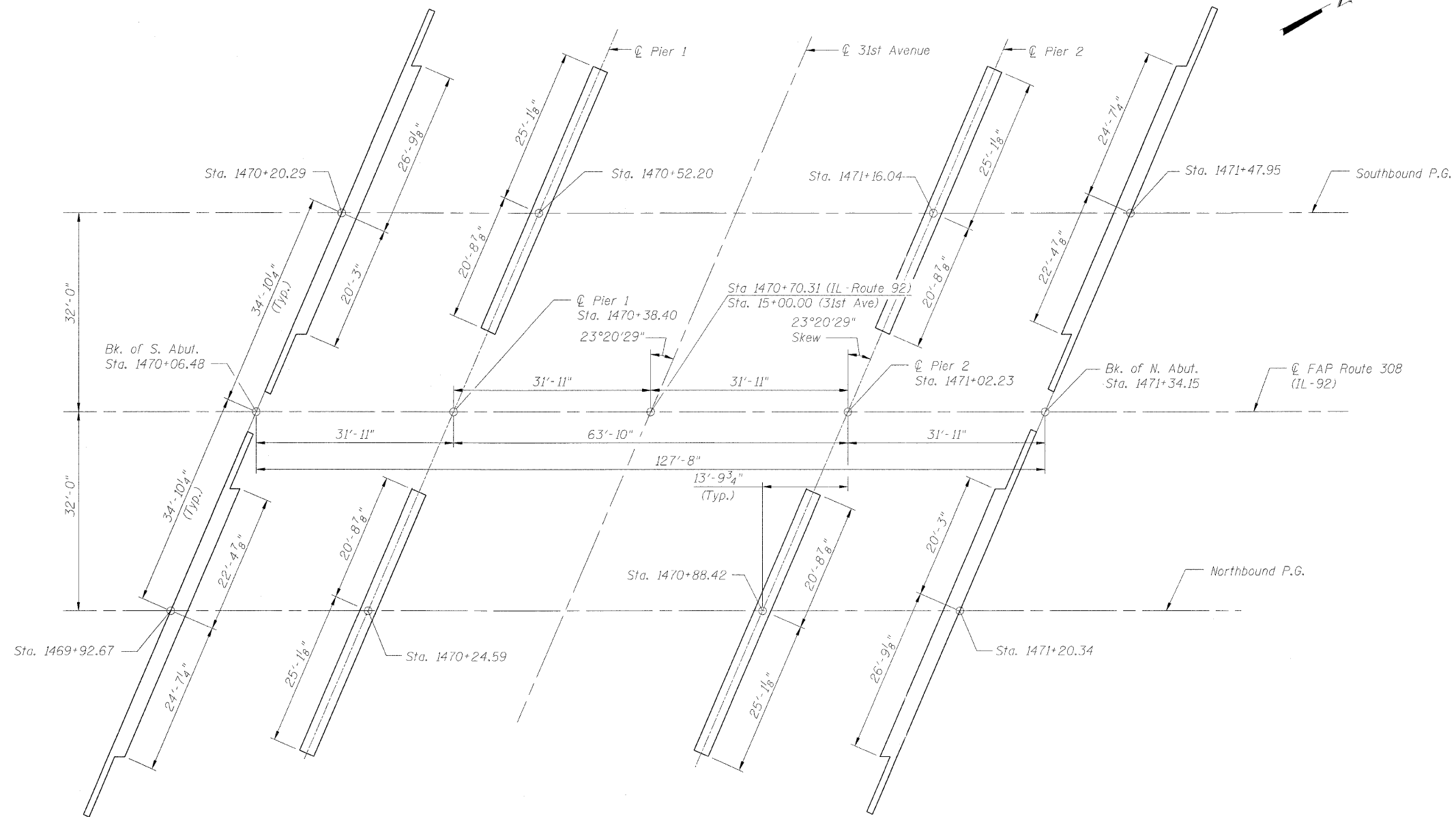


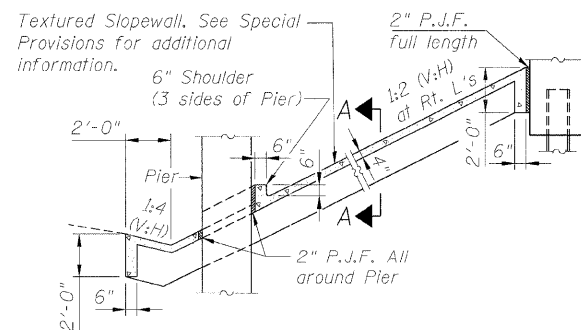
STATE OF ILLINOIS
DEPARTMENT OF TRANSPORTATION

ROUTE NO. F.A.P. 308	SECTION *	COUNTY ROCK ISLAND	SHEET NO. 210	SHEET NO. 87	SHEET NO. 3 31 SHEETS
FED. ROAD DIST. NO. 7		ILLINOIS		FED. AID PROJECT	

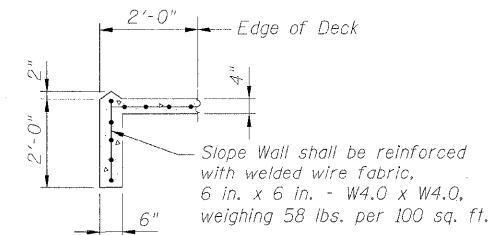
Contract #64814 * (1HB,HB-1,VB,HB-2)R



FOOTING LAYOUT



SECTION THRU SLOPEWALL



SECTION A-A

FOOTING LAYOUT
IL ROUTE 92 (CENTENNIAL EXPRESSWAY)
OVER 31st AVENUE
FAP ROUTE 308 SEC. 1(HB-2)R
ROCK ISLAND COUNTY
STATION 1470+70.31
STRUCTURE NO. 081-0172 (SB)
STRUCTURE NO. 081-0173 (NB)

DESIGNED	AMK
CHECKED	CMM
DRAWN	OS
CHECKED	RWC

LOCHNER
H.W. LOCHNER, INC., CHICAGO, ILLINOIS

t:\2082\struc\csgn\20440231A1.dgn