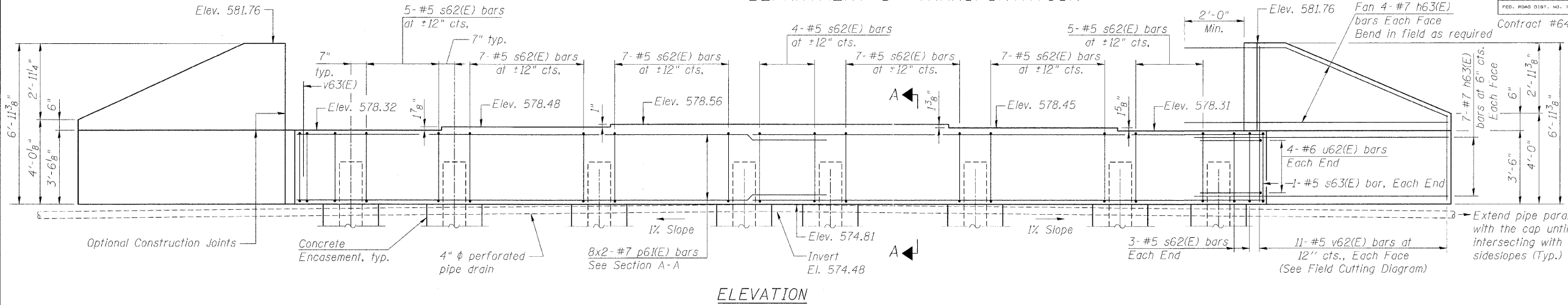
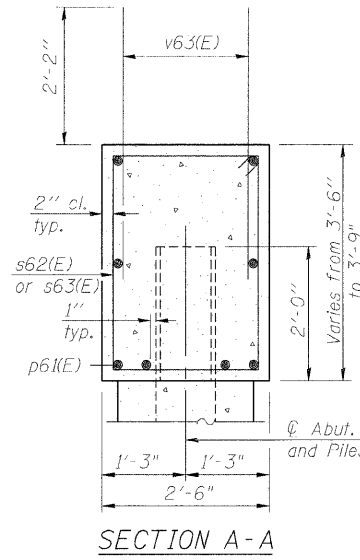


STATE OF ILLINOIS
DEPARTMENT OF TRANSPORTATION

ROUTE NO.	SECTION	COUNTY	TOTAL SHEETS	SHEET NO.	SHEET NO. 19
F.A.P. 308	#	ROCK ISLAND	210	103	31 SHEETS
FED. ROAD DIST. NO. 7	ILLINOIS	FED. AID PROJECT	Contract #64814 * (1HB, HB-1, VB, HB-2)R		



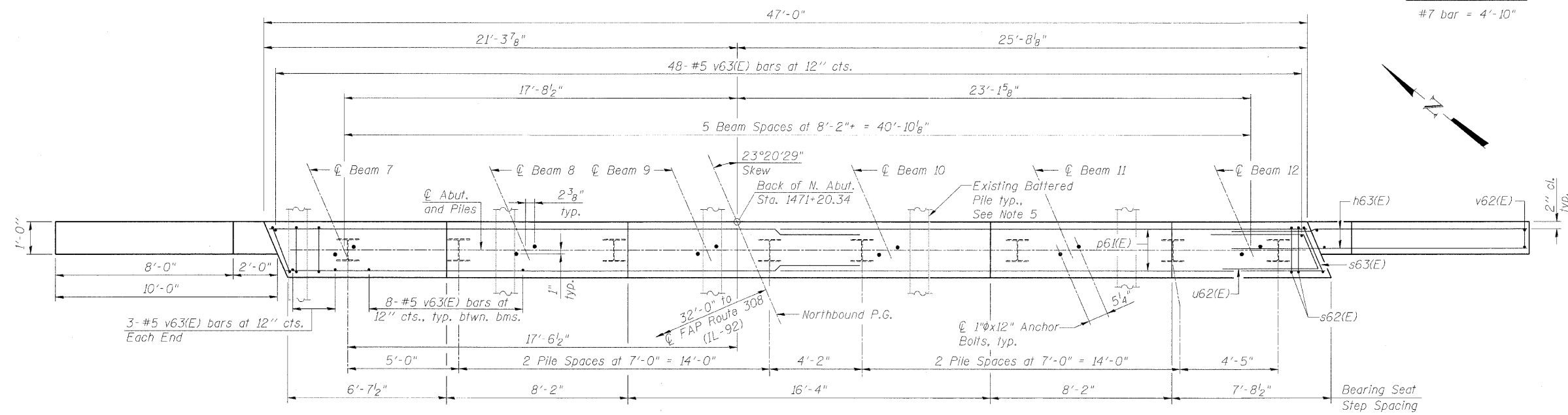
ELEVATION



MIN. BAR LAP
#7 bar = 4'-10"

BILL OF MATERIAL

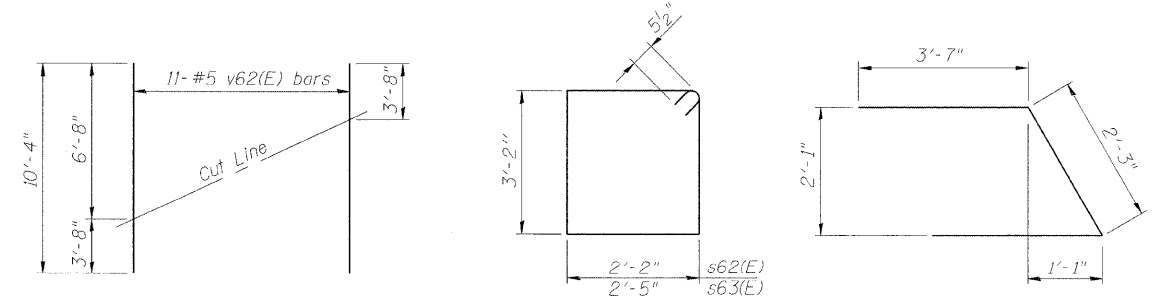
Bar	No.	Size	Length	Shape
h63(E)	44	#7	11'-10"	—
p61(E)	16	#7	25'-9"	—
s62(E)	46	#5	11'-7"	□
s63(E)	2	#5	12'-1"	□
u62(E)	8	#6	9'-5"	□
v62(E)	22	#5	10'-4"	—
v63(E)	94	#5	4'-4"	—
Porous Granular Embankment (Special) Cu. Yd. 68				
Structure Excavation Cu. Yd. 38				
Concrete Structures Cu. Yd. 20.5				
Reinforcement Bars, Epoxy Coated Pound 3,260				
Furnishing Steel Piles HP12x53 Foot 488				
Driving Piles Foot 488				
Pile Shoes Each 8				
Concrete Encasement Cu. Yd. 2.8				
Geocomposite Wall Drain Sq. Yd. 43				
Pipes Underdrains for Structures 4" Foot 85				



PLAN

PILE DATA

Type: Steel-HP12x53 with pile shoes
Nominal Required Bearing: 419 k
Allowable Resistance Available: 140 k
Est. Length: 61 ft
No. Production Piles: 8
No. Test Piles: 0



FIELD CUTTING DIAGRAM

Order v62(E) full length. Cut as shown and use remainder of bars in opposite face.

BARS s62(E) & s63(E)

BAR u62(E)

NOTES

- For details of Bar Splicers, see Sheet No. 23
- For details of piles and Concrete Encasement, see Sheet No. 22
- For Section thru Abutment, see Sheet No. 16
- Bars indicated thus 8x2-#7 etc. indicates 8 lines of bars with 2 lengths per line.
- The Contractor shall verify the locations of existing piles before driving new piles.
- Excavation required for Concrete Encasements shall be included in the cost of Concrete Encasement.
- Pour steps monolithically with cap.
- For shim plates and bearing details, see Sheet No. 15
- For abutment diaphragm details, see Sheet No. 10

NORTH ABUTMENT (NB)
IL ROUTE 92 (CENTENNIAL EXPRESSWAY)
OVER 31st AVENUE
FAP ROUTE 308 SEC. 1(HB-2)R
ROCK ISLAND COUNTY
STATION 1470+70.31
STRUCTURE NO. 081-0172 (SB)
STRUCTURE NO. 081-0173 (NB)

DESIGNED	AMK
CHECKED	JSD
DRAWN	EF
CHECKED	RWC

LOCHNER
H.W. LOCHNER, INC., CHICAGO, ILLINOIS