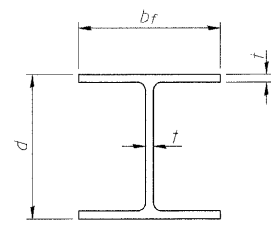


STATE OF ILLINOIS
DEPARTMENT OF TRANSPORTATION

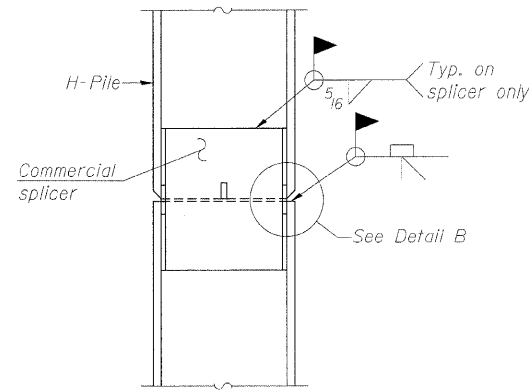
ROUTE NO.	SECTION	COUNTY	PROJECT NO.	SHEET NO.	SHEET NO. 22 31 SHEETS
F.A.P. 308	*	ROCK ISLAND	210	106	
FED. ROAD DIST. NO. 7	ILLINOIS	FED. AID PROJECT			

Contract #64814 * I(HB,HB 1VB,HB 2)R

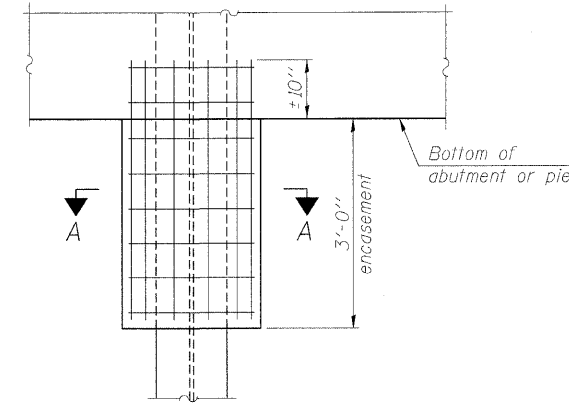


STEEL PILE TABLE

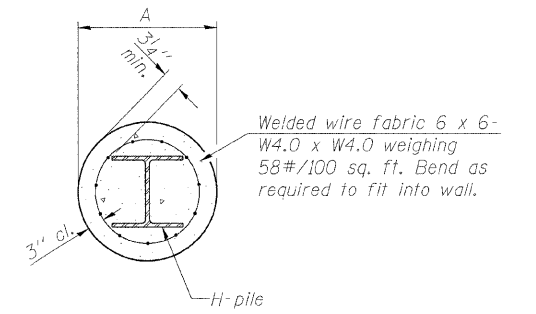
Designation	Depth d	Flange width bf	Web and Flange thickness t	Encasement diameter A
HP 14x117	14 1/4"	14 7/8"	13/16"	30"
x102	14"	14 3/4"	1/16"	30"
x89	13 7/8"	14 3/4"	5/8"	30"
x73	13 5/8"	14 5/8"	1/2"	30"
HP 12x84	12 1/4"	12 1/4"	1/16"	24"
x74	12 1/8"	12 1/4"	5/8"	24"
x63	12"	12 1/8"	1/2"	24"
x53	11 3/4"	12"	7/16"	24"
HP 10x57	10"	10 1/4"	9/16"	24"
x42	9 3/4"	10 1/8"	7/16"	24"
HP 8x36	8"	8 1/8"	7/16"	18"



ELEVATION

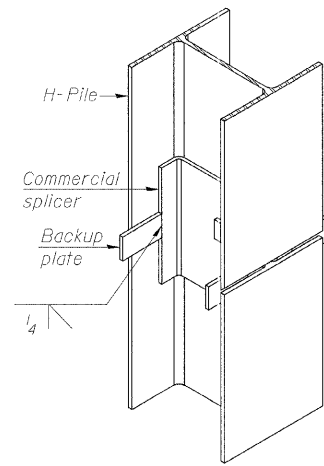


ELEVATION

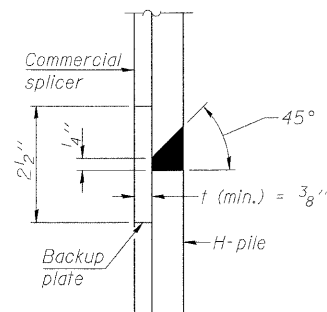


SECTION A-A

PILE ENCASEMENT

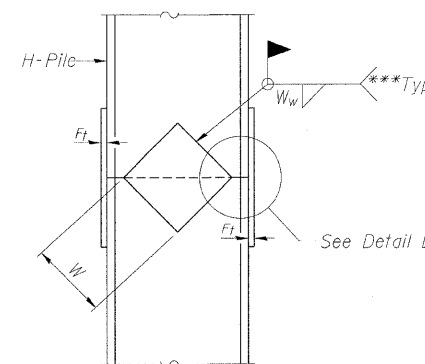


ISOMETRIC VIEW

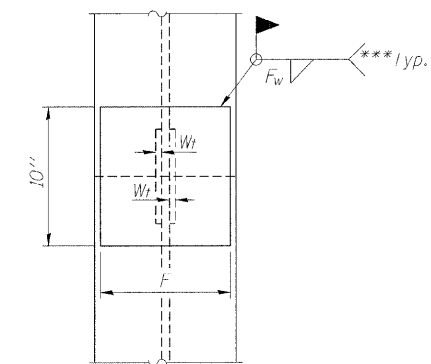


DETAIL "B"

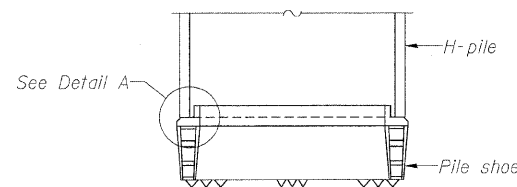
WELDED COMMERCIAL SPLICE



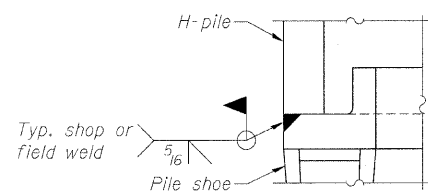
ELEVATION



END VIEW

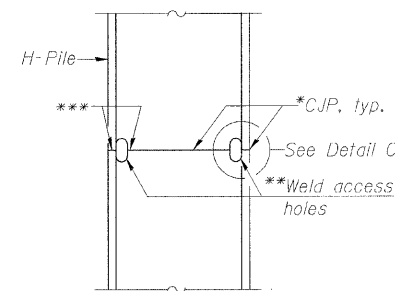


ELEVATION

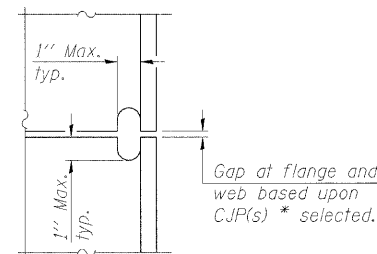


DETAIL A

H-PILE SHOE ATTACHMENT

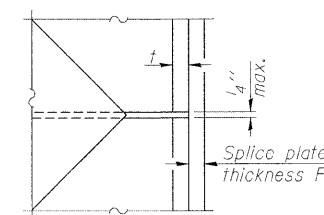


ELEVATION



DETAIL C

COMPLETE PENETRATION WELD SPLICE



DETAIL D

WELDED PLATE FIELD SPLICE

Designation	F	Ft	Fw	W	Wt	Ww
HP 14x117	12 1/2"	1"	7/8"	7 3/4"	5/8"	1/2"
x102	12 1/2"	7/8"	3/4"	7 3/4"	5/8"	1/2"
x89	12 1/2"	3/4"	1/16"	7 3/4"	5/8"	1/2"
x73	12 1/2"	5/8"	9/16"	7 3/4"	5/8"	1/2"
HP 12x84	10"	7/8"	1/16"	6 1/2"	5/8"	1/2"
x74	10"	7/8"	1/16"	6 1/2"	5/8"	1/2"
x63	10"	5/8"	1/2"	6 1/2"	1/2"	3/8"
x53	10"	5/8"	1/2"	6 1/2"	1/2"	3/8"
HP 10x57	8"	3/4"	9/16"	5 1/4"	1/2"	3/8"
x42	8"	5/8"	9/16"	5 1/4"	1/2"	3/8"
HP 8x36	7"	5/8"	7/16"	4 1/4"	1/2"	3/8"

Note:
The steel H-piles shall be according to AASHTO M270 Grade 50.

*Use joint conforming to Figure 3.4 in AWS D1.1, Structure Welding Code - Steel.
**Preparation per Fig. 5.2 in AWS D1.1, Structure Welding Code - Steel.
***Interrupt welds 1/4" from end of each pile.

DESIGNED JDG	DB STERLIN CONSULTANTS, INC. 208 S. LASALLE ST. SUITE 1130 CHICAGO, ILLINOIS 60604 TEL. 312/857-1006 FAX. 312/857-1056
CHECKED WPK	
DRAWN DCS	
CHECKED JDG	

F-HP 9-3-07

STEEL PILE DETAILS
IL ROUTE 92 (CENTENNIAL EXPRESSWAY)
OVER 31ST AVENUE
FAP ROUTE 308 SEC. 1(HB-2)R
ROCK ISLAND COUNTY
STATION 1470+70.31
STRUCTURE NO. 081-0172 (SB)
STRUCTURE NO. 081-0173 (NB)